

HSF

PRELIMINARY

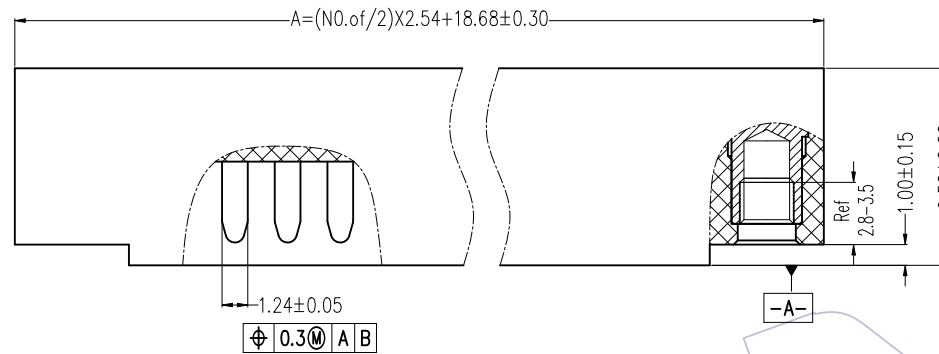
NOTES:

1. Current Rating: 3.0A ;
2. Voltage Rating: 250V AC ;
3. Contact Resistance: 15mΩ Max;
4. Withstand Voltage: 1000V AC;
5. Insulation Resistance: 1000MΩ Min;
6. Operating Temperature: -55°C to +105°C;
7. Insulator Material: PBT,G.F,UL94V-0,BK;
8. Contact Material: Copper Alloy;
9. Contact plating:
 - xxμ" Gold on contact area (See ordering information),
 - 100μ" Matte TIN on solder area,
 - 50μ" Nickel underplating overall;
10. Torque: 10Kgf.cm Min;
11. Retention force: 12Kgf Min;
12. Recommended process:
 - Wave soldering, Peak temperature: 260±5°C, 5s ;

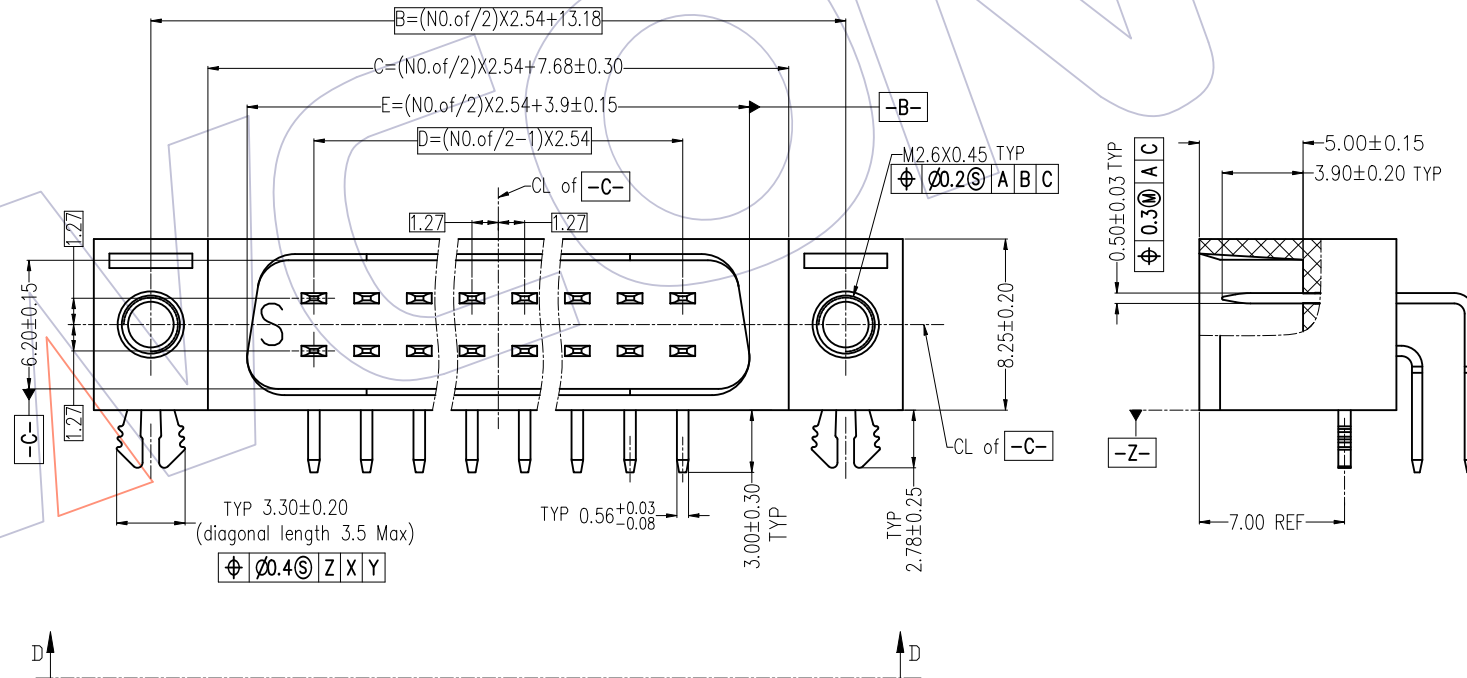
Ordering Information

6340 - 1 XX M R SX M W T 01

- 1=Single layer
- No. of Pins:
 - 08=8PIN
 - 16=16PIN
 - 24=24PIN
 - 32=32PIN
 - 40=40PIN
 - 48=48PIN
 - 56=56PIN
 - 64=64PIN
- WCON internal code
- Packing: T=Tube
- With Harpoon
- With Nut
- Contact plating:
 - S1=3μ"Gold/ Tin
 - S2=5μ"Gold/ Tin
 - S3=10μ"Gold/ Tin
- Male
- 90° DIP (Standard) Type



Pin	A	B	C	D	E
8	28.84	23.34	17.84	7.62	14.06
16	39.00	33.50	28.00	17.78	24.22
24	49.16	43.66	38.16	27.94	34.38
32	59.32	53.82	48.32	38.10	44.54
40	69.48	63.98	58.48	48.26	54.70
48	79.64	74.14	68.64	58.42	64.86
56	89.80	84.30	78.80	68.58	75.02
64	99.96	94.46	88.96	78.74	85.18



REV	DATE	MODIFICATION DESCRIPTION	CHANGE	OPERATION		DRAW	DATE	SCALE	FIT	PART NO.
				Angle	DIM					
1	2020.04.14	NEW	Houfu Peng	x.x	±0.40	Houfu Peng	2020.04.14	UNIT	mm	6340-1XXMRSXMWTO1
				x.xx	±0.25	CHECK	DATE	SIZE	A4	TITLE: 2.54mm DFCN Connector Male, 90° DIP (Standard Type) With Metal Harpoon And M2.6 Nut
				x.xxx	±0.15	APPROVE	DATE	SHEET	1/2	Customer NO.
					± 3°			PROJ.		

WCON

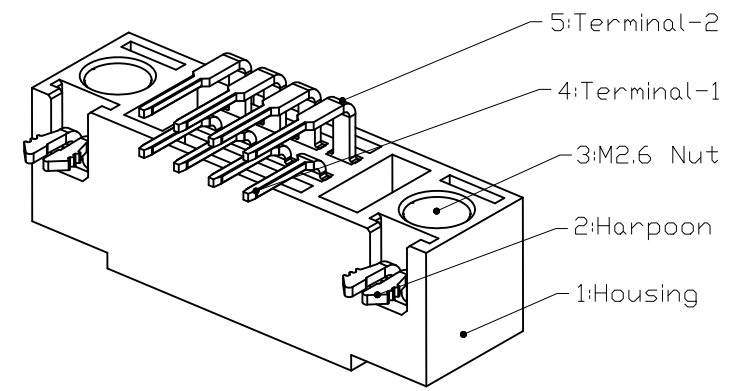
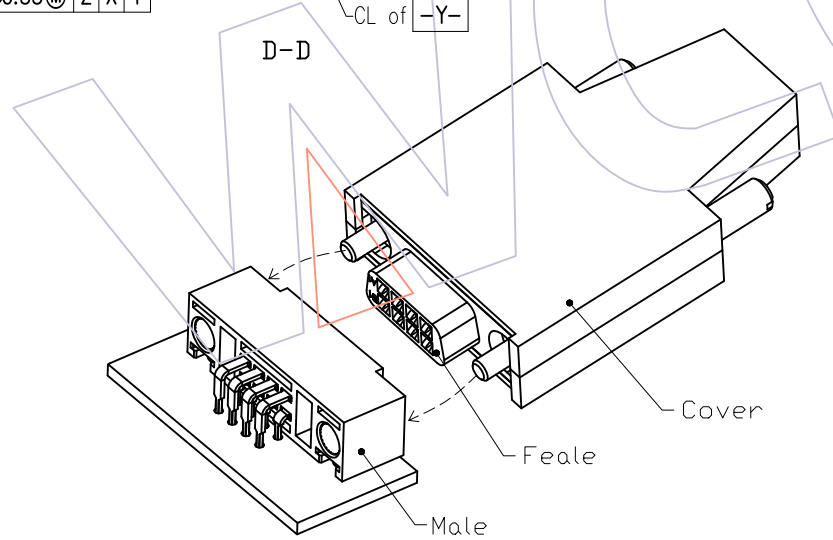
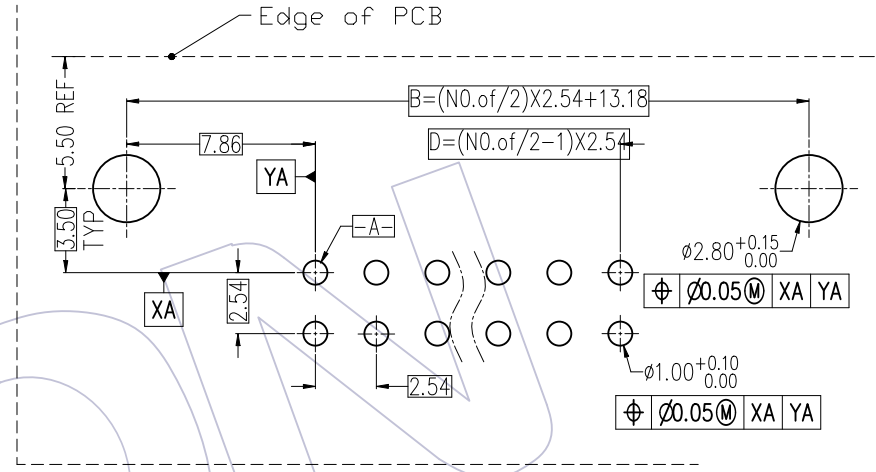
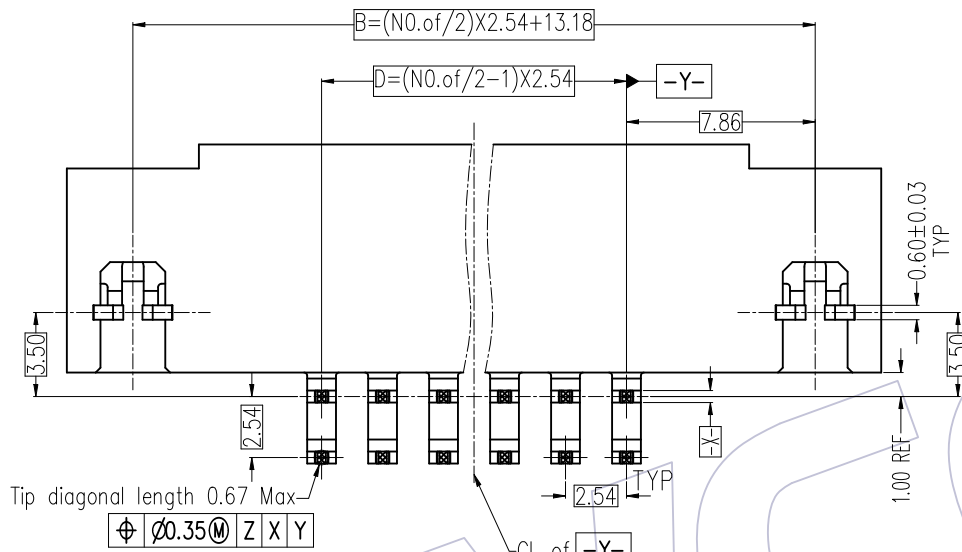
Http: www.wcon.com


WCON-Dongguan	WCON-Kunshan
Tel: +86 769 85358920	Tel: +86 512 57468408
Fax: +86 769 85358915	Fax: +86 512 57468468
E-mail: sales@wcon.com	E-mail: salesks@wcon.com

HSF

PRELIMINARY

Recommended P.C.B Layout(Top Side)
(PCB BOARD TOLERANCE±0.05, T=1.6±0.2)



				OPERATION	DRAW	DATE	SCALE	FIT	PART NO.	 Http: www.wcon.com WCON-Dongguan WCON-Kunshan Tel: +86 769 85358920 Tel: +86 512 57468408 Fax: +86 769 85358915 Fax: +86 512 57468468 E-mail: sales@wcon.com E-mail: salesks@wcon.com
				x.x ±0.40	Houfu Peng	2020.03.19	UNIT	mm	6340-1XXMRSXMWT01	
				x.xx ±0.25	CHECK	DATE	SIZE	A4	TITLE: 2.54mm DFCN Connector	
				x.xxx ±0.15	APPROVE	DATE	SHEET	2/2	Male, 90° DIP (Standerd Type) With	
				Angle ± 3°			PROJ.	Customer NO.	Metal Harpoon And M2.6 Nut	
1	2020.03.19	NEW	Houfu Peng	Angle ± 3°						
REV	DATE	MODIFICATION DESCRIPTION	CHANGE	DIM	TOL					