

HSF

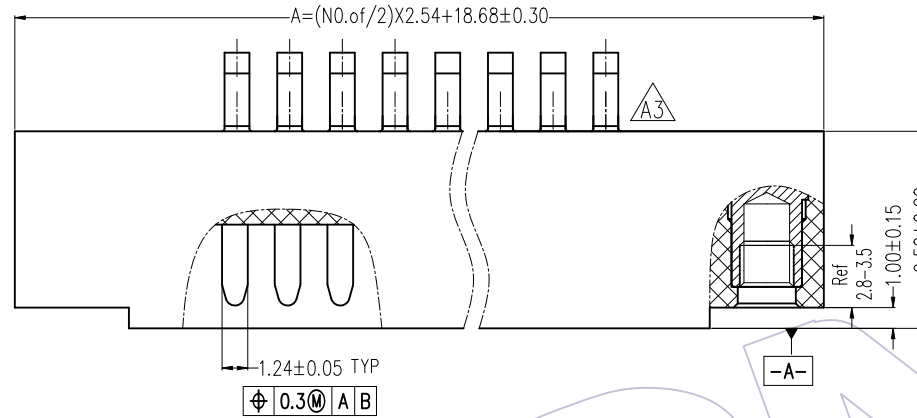
NOTES:

1. Current Rating: 3.0A ;
2. Voltage Rating: 250V AC ;
3. Contact Resistance: 15mΩ Max;
4. Withstand Voltage: 1000V AC;
5. Insulation Resistance: 1000MΩ Min;
6. Operating Temperature: -55°C to +105°C;
7. Insulator Material: PBT,G.F,UL94V-0,BK;
8. Contact Material: Copper Alloy;
9. Contact plating:
 $xx\mu$ " Gold on contact area (See ordering information),
 100μ " TIN on solder area,
 50μ " Nickel underplating overall;
10. Torque: 10Kgf.cm Min;
11. Retention force: 12Kgf Min;
12. Recommended process:
 Wave soldering, Peak temperature: $260\pm 5^\circ\text{C}$, 5s ;

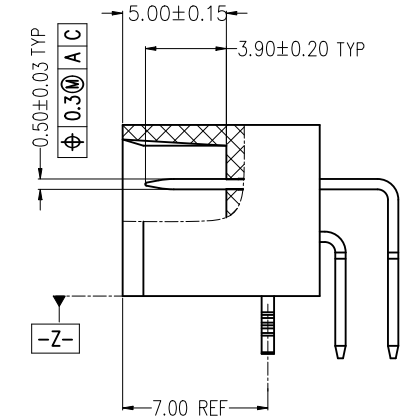
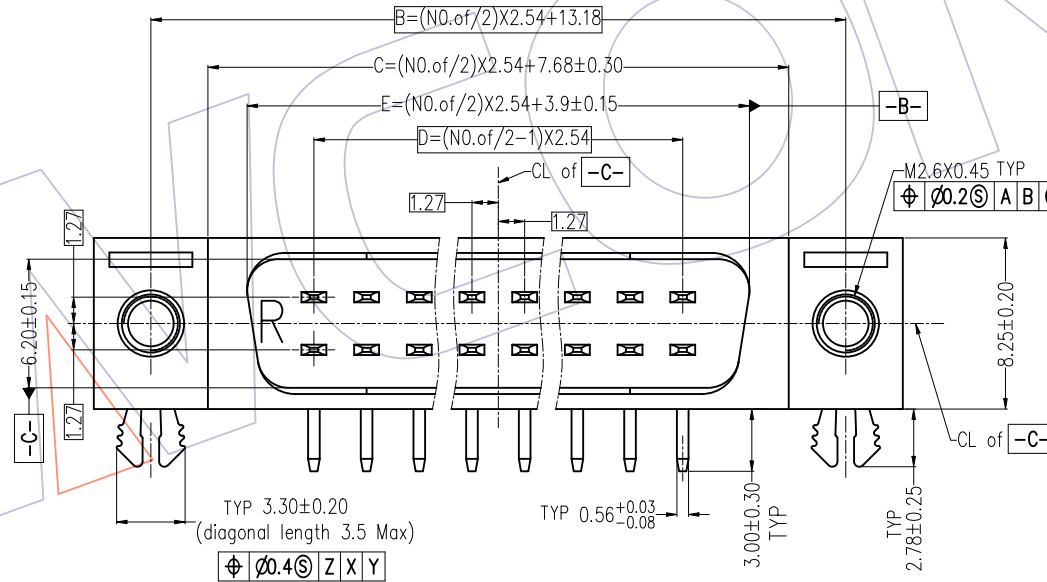
Ordering Information

6340 - 1 XX M RE SX M W T 01

- 1=Single layer
- No. of Pins: 08=8PIN 16=16PIN 24=24PIN 32=32PIN 40=40PIN 48=48PIN 56=56PIN 64=64PIN
- WCON internal code
- Packing: T=Tube
- With Harpoon
- With Nut
- Contact plating:
 S1=3μ" Gold/ Tin
 S2=5μ" Gold/ Tin
 S3=10μ" Gold/ Tin
- Male
- 90° DIP (Reverse) Type



Pin	A	B	C	D	E
8	28.84	23.34	17.84	7.62	14.06
16	39.00	33.50	28.00	17.78	24.22
24	49.16	43.66	38.16	27.94	34.38
32	59.32	53.82	48.32	38.10	44.54
40	69.48	63.98	58.48	48.26	54.70
48	79.64	74.14	68.64	58.42	64.86
56	89.80	84.30	78.80	68.58	75.02
64	99.96	94.46	88.96	78.74	85.18



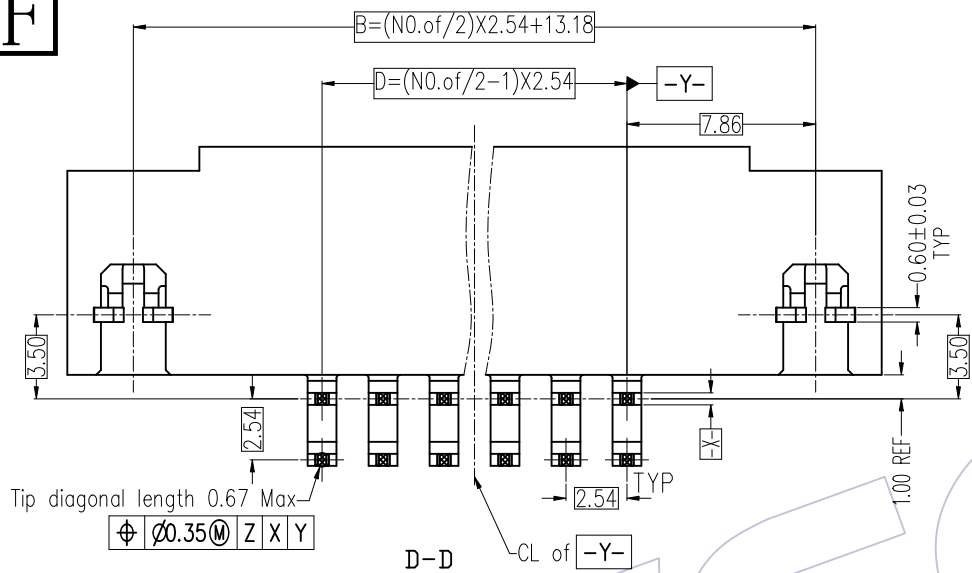
REV	DATE	MODIFICATION DESCRIPTION	CHANGE	ANGLE	TOL	DIM
A3	2021.07.24	Correct DIM.E & Drawing	XSR	OPERATION		
A2	2021.03.31	Change Recommended process	Houfu Peng	x.x	±0.40	
A1	2020.06.15	Change Item No. code	Houfu Peng	x.xx	±0.25	
A0	2020.04.14	NEW	Houfu Peng	x.xxx	±0.15	
REV	DATE	MODIFICATION DESCRIPTION	CHANGE	ANGLE	± 3°	

WCON
 Http: www.wcon.com

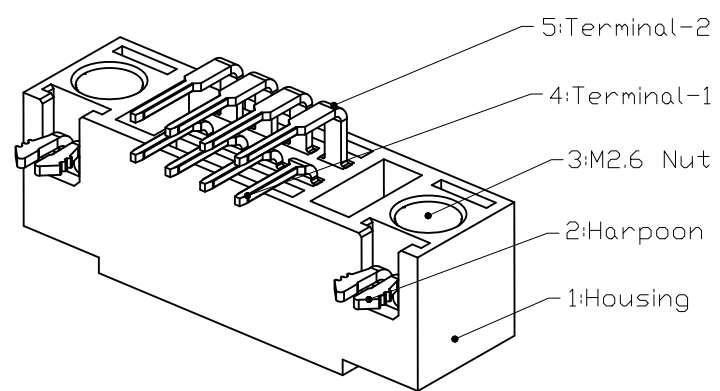
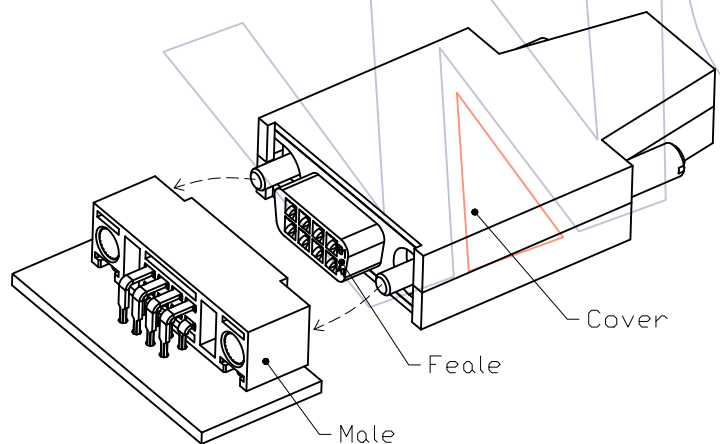
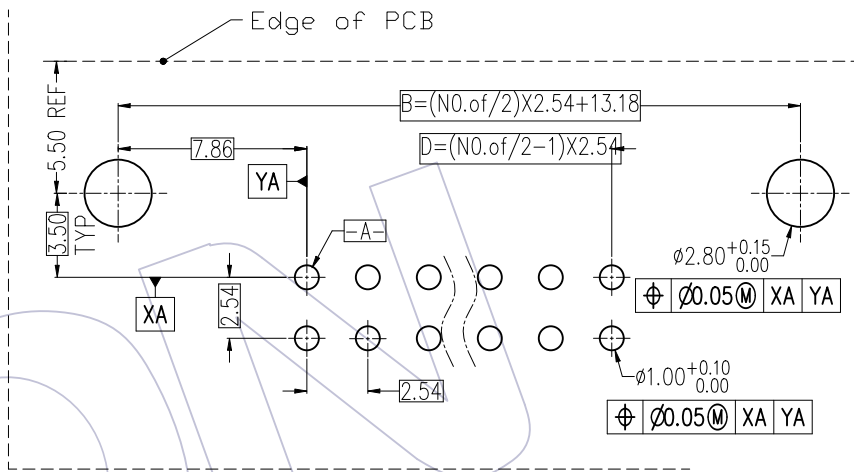
WCON-Dongguan WCON-Kunshan
 Tel: +86 769 85358920 Tel: +86 512 57468408
 Fax: +86 769 85358915 Fax: +86 512 57468468
 E-mail: sales@wcon.com E-mail: salesks@wcon.com

PART NO. 6340-1XXMRESXMWT01
 TITLE: 2.54mm DFCN Connector Male, 90° DIP (Reverse Type) With Metal Harpoon And M2.6 Nut
 Customer NO.

HSF



Recommended P.C.B Layout (Top Side)
(PCB BOARD TOLERANCE ±0.05, T=1.6±0.2)



A3	2021.07.24	Correct DIM.E & Drawing	XSR	OPERATION	DRAW	DATE	SCALE	FIT	PART NO. 6340-1XXMRESXMWT01
A2	2021.03.31	Change Recommended process	Houfu Peng	x.x ±0.40	XSR	2021.07.24	UNIT	mm	
A1	2020.06.15	Change Item No. code	Houfu Peng	x.xx ±0.25	CHECK	DATE	SIZE	A4	
A0	2020.04.14	NEW	Houfu Peng	x.xxx ±0.15	APPROVE	DATE	SHEET	2/2	
REV	DATE	MODIFICATION DESCRIPTION	CHANGE	Angle ± 3° DIM TOL			PROJ.		

TITLE: 2.54mm DFCN Connector
Male, 90° DIP (Reverse Type) With
Metal Harpoon And M2.6 Nut
Customer NO.

WCON

Http: www.wcon.com

WCON-Dongguan Tel: +86 769 85358920 Fax: +86 769 85358915 E-mail: sales@wcon.com
WCON-Kunshan Tel: +86 512 57468408 Fax: +86 512 57468468 E-mail: salesks@wcon.com