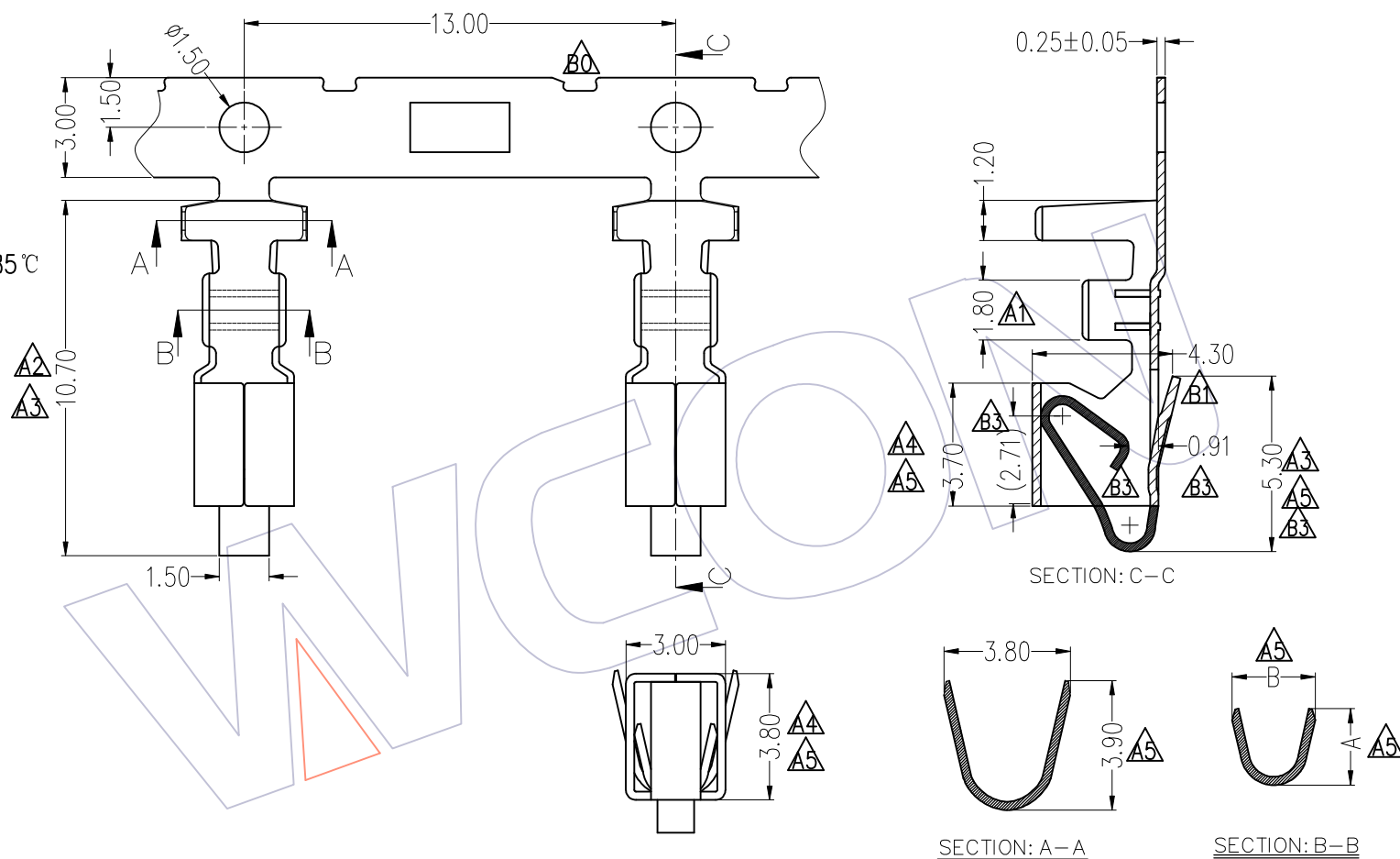


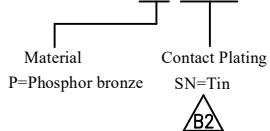
# HSF

NOTES:  
 Rated Current: 7.0AMP  
 Rated Voltage: 250V AC/DC  
 Contact Resistance: 10mΩ max  
 Withstand Voltage: 1000V AC/Minute  
 Insulation Resistance: 1000MΩ min  
 Operation Temperature: -25°C to +85°C



## Ordering Information

WF 3963 - T P SN 0 X



### Specification & Ordering Information:

Part No.	Material	DIM A	DIM B	Wire Range	Insulation O.D	Q'ty/Reel
WF3963-TPSN01	Phosphor bronze	2.30	2.50	AWG#18~#20	1.70~2.05mm	3,000PCS
WF3963-TPSN03	Phosphor bronze	1.60	1.71	AWG#22~#24	1.38~1.63mm	3,000PCS

REV	DATE	MODIFICATION DESCRIPTION	CHANGE	OPERATION	DRAW PAN	DATE	SCALE	FIT	PART NO.	 Http: www.wcon.com WCON-Dongguan      WCON-Kunshan Tel: +86 769 85358920      Tel: +86 512 57468408 Fax: +86 769 85358915      Fax: +86 512 57468468 E-mail: sales@wcon.com      E-mail: salesks@wcon.com
B3	2023/02/03	OPTIMIZE FOR SPRING	—	OPERATION	PAN	2023/02/03	UNIT	mm	WF3963-TPSN0X	
B2	2022/11/23	Modify, Add WF3963-TPSN03	—	X.X	±0.40	DATE	inch	TITLE:		
B1	2019/02/27	Modify	—	X.XX	±0.25	DATE	SIZE	A4	VH 3.96 WAFER TERMINAL	
A0	2008/07/19	NEW	—	X.XXX	±0.15	DATE	SHEET	1/1		
REV	DATE	MODIFICATION DESCRIPTION	CHANGE	Angle	± 3'	APPROVE	PROJ.	Customer NO.		