

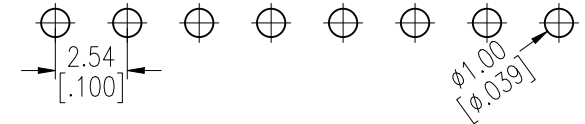
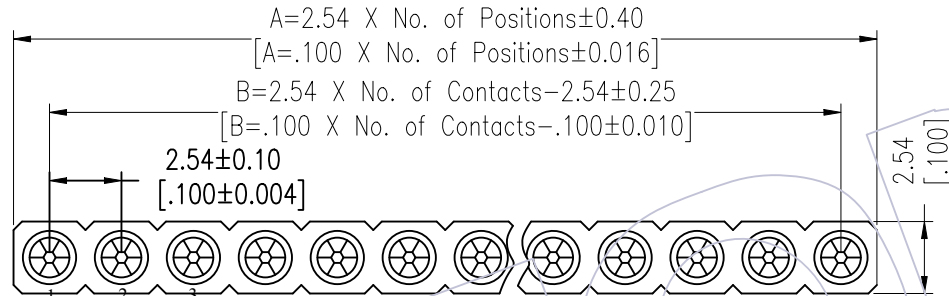
HSF

Recommended P.C.B Layout(Top Side)
(PCB BOARD TOLERANCE±0.05)

TECHNICAL SPECS:

Current Rating:3.0AMP
 Contact Resistance:10mΩ Max
 Dielectric Strength: Min 1000VRMS
 Mechanical Life: Min 500 cycles
 Mating Pin:∅0.7 to ∅0.9mm or 0.635SQ
 Forces: (polished steel gauge ∅0.76mm)
 Insertion:150g Max/Pin,Withdrawal:30g Min/Pin
 Operation Temperature:-40°C to +105°C

Sleeve:Brass CuZn36Pb3(C36000)
 Contact Clip(6 finger):BeCu(C17200)
 Insulator Material:PPS+30%G.F(UL94V-0)



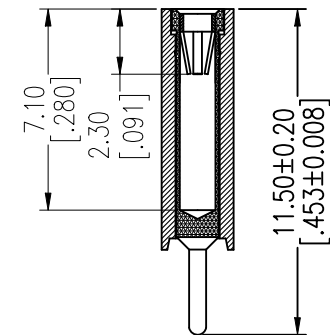
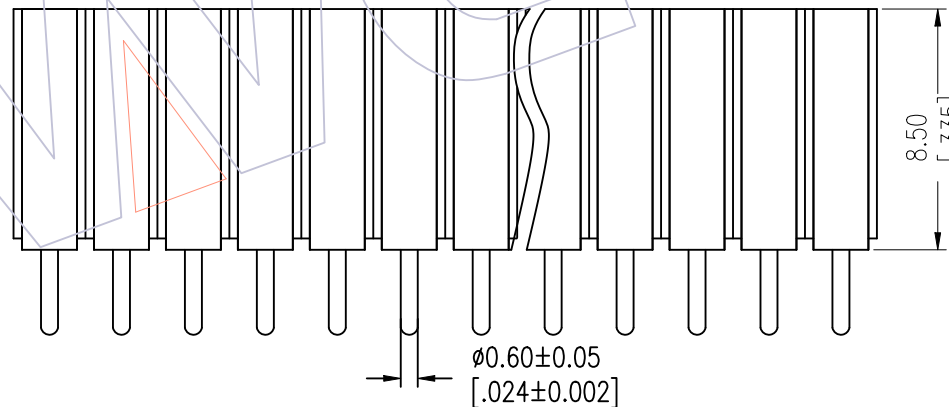
Ordering Information

3521-851 XX S XX 115 X 1

No. of Pin
2-40PIN
A1

Contact Plating
 S0=Gold Flash/Tin
 S3=10u"Gold/Tin
 S4=15u"Gold/Tin
 S5=30u"Gold/Tin
 SN=Tin

Packing
 A=Tray
 T=Tube



Item	Pitch	Mating
Standard	2.54	3511
Alternate		

REV	DATE	MODIFICATION DESCRIPTION	CHANGE	OPERATION	DRAW	DATE	SCALE	FIT	PART NO.
				x.X ±0.40	Ding	2018/03/07	UNIT mm		3521-851XXSXX115X1
A1	2018/03/07	Modify	-----	x.XX ±0.25	CHECK	DATE	SIZE A4		TITLE: 2.54mm MACHINED FEMALE HEADER SINGLE ROW 180° H=8.50 L=11.5
A0	2012/10/18	NEW	-----	x.XXX ±0.15			SHEET 1/1		Customer NO.
				Angle ± 3°	APPROVE	DATE	PROJ.		
				DIM TOL					

WCON

Http: www.wcon.com

WCON-Dongguan Tel: +86 769 85358920 Fax: +86 769 85358915 E-mail: sales@wcon.com

WCON-Kunshan Tel: +86 512 57468408 Fax: +86 512 57468468 E-mail: salesks@wcon.com