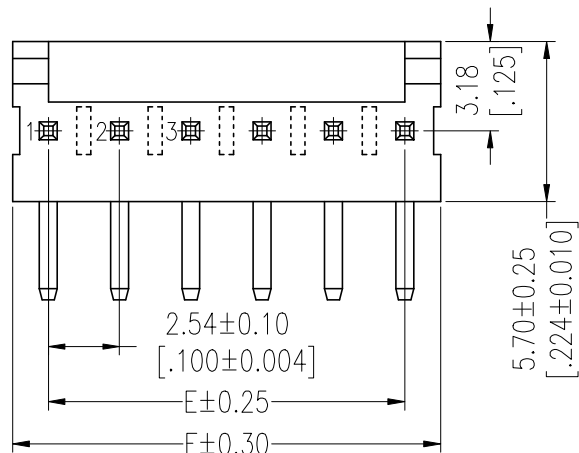


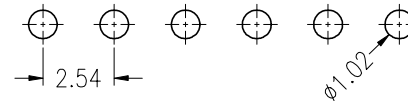
HSF

NOTES:
 Rated Current:3.0A
 Contact Resistance:20mΩ max
 Withstand Voltage:1000V AC/Minute
 Insulation Resistance:1000MΩ min
 Operation Temperature:-25℃ to +85℃

Contact Material:Brass
 Contact plating:Au Or Sn Over Ni
 Insulator Material:PA66 (UL94V-0)



Recommended P.C.B Layout(Top Side)
 (PCB BOARD TOLERANCE±0.05)



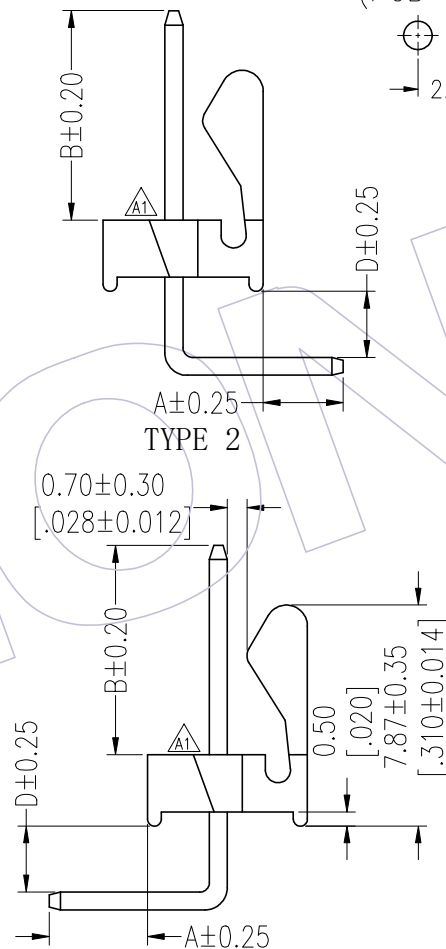
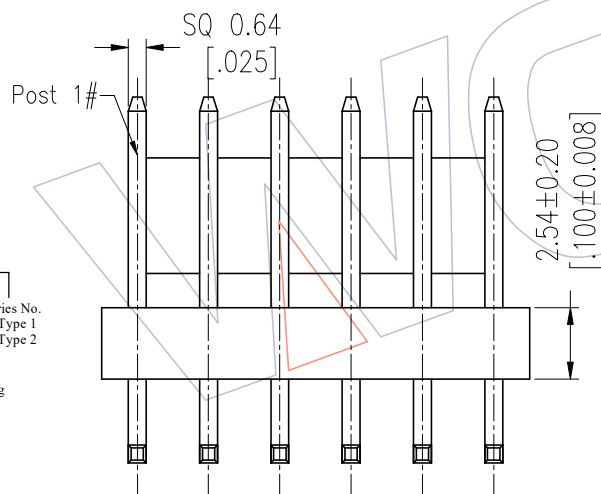
Specification & Ordering Information:

Circuit	Part No.	Dimension	
		E	F
02	WF2544-WR02XXX	2.54	5.08
03	WF2544-WR03XXX	5.08	7.62
04	WF2544-WR04XXX	7.62	10.16
05	WF2544-WR05XXX	10.16	12.70
06	WF2544-WR06XXX	12.70	15.24
07	WF2544-WR07XXX	15.24	17.78
08	WF2544-WR08XXX	17.78	20.32
09	WF2544-WR09XXX	20.32	22.86
10	WF2544-WR10XXX	22.86	25.40
11	WF2544-WR11XXX	25.40	27.94
12	WF2544-WR12XXX	27.94	30.48
13	WF2544-WR13XXX	30.48	33.02
14	WF2544-WR14XXX	33.02	35.56
15	WF2544-WR15XXX	35.56	38.10
16	WF2544-WR16XXX	38.10	40.64
17	WF2544-WR17XXX	40.64	43.18
18	WF2544-WR18XXX	43.18	45.72
19	WF2544-WR19XXX	45.72	48.26
20	WF2544-WR20XXX	48.26	50.80
21	WF2544-WR21XXX	50.80	53.34
22	WF2544-WR22XXX	53.34	55.88
23	WF2544-WR23XXX	55.88	58.42
24	WF2544-WR24XXX	58.42	60.96
25	WF2544-WR25XXX	60.96	63.50
26	WF2544-WR26XXX	63.50	66.04
27	WF2544-WR27XXX	66.04	68.58
28	WF2544-WR28XXX	68.58	71.12

Ordering Information

WF2544 - WR **XX** **X** **X** **X**

No. of pins: 02-20P
 Contact Plating: S0=Gold Flash/Tin, S3=10u"Gold/Tin, S4=15u"Gold/Tin, S5=30u"Gold/Tin, G0=Gold Flash, G3=10u"Gold, G4=15u"Gold, G5=30u"Gold, Blank=Tin
 Color: B=Black, E=Beige, T=Natural, W=White
 Series No.: 1=Type 1, 2=Type 2
 Packing: 0=PE Bag, T=Tube



ITEM	A	B	D
Standard	3.60	7.36	2.35
Alternate			

REV	DATE	MODIFICATION DESCRIPTION	CHANGE	OPERATION		DRAW DuYing	DATE 2023/02/14	SCALE UNIT	FIT mm inch	PART NO. SEE TAB
				x.X	±0.40					
A1	2023/02/14	Add Chamfer $\Delta 1$	DuYing	x.XX	±0.25	CHECK	DATE	SIZE	A4	TITLE: VH 2.54 WAFER 90° DIP
AO	2012/09/08	NEW	JYHuang	x.XXX	±0.15	APPROVE	DATE	SHEET	1/1	Customer NO.
				Angle	± 3'			PROJ.	ϕ	
				DIM	TOL					

WCON

Http: www.wcon.com

WCON-Dongguan Tel: +86 769 85358920 Fax: +86 769 85358915 E-mail: sales@wcon.com
 WCON-Kunshan Tel: +86 512 57468408 Fax: +86 512 57468468 E-mail: salesks@wcon.com