

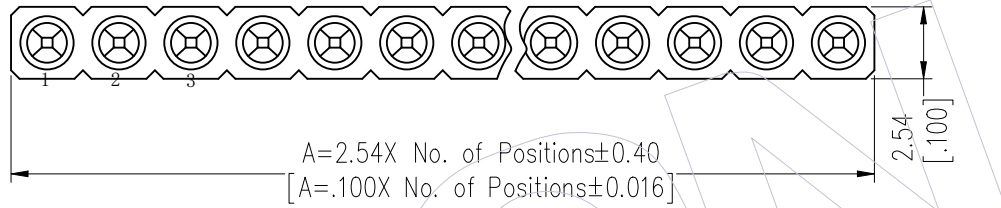
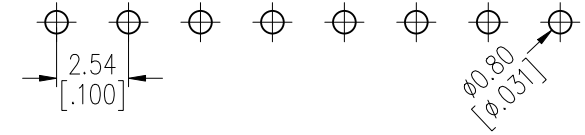
HSF

Recommended P.C.B Layout(Top Side)
(PCB BOARD TOLERANCE±0.05)

TECHNICAL SPECS:

Current Rating: 3.0AMP
 Contact Resistance: 10mΩ Max
 Dielectric Strength: Min 1000V_{RMS}
 Mechanical Life: Min 500 cycles
 Mating Pin: Ø0.40 to Ø0.56mm
 Forces: (polished steel gauge Ø0.47mm)
 Insertion: 200g Max/Pin, Withdrawal: 60g Min/Pin
 Operation Temperature: -40°C to +105°C

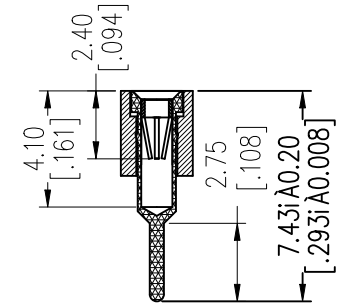
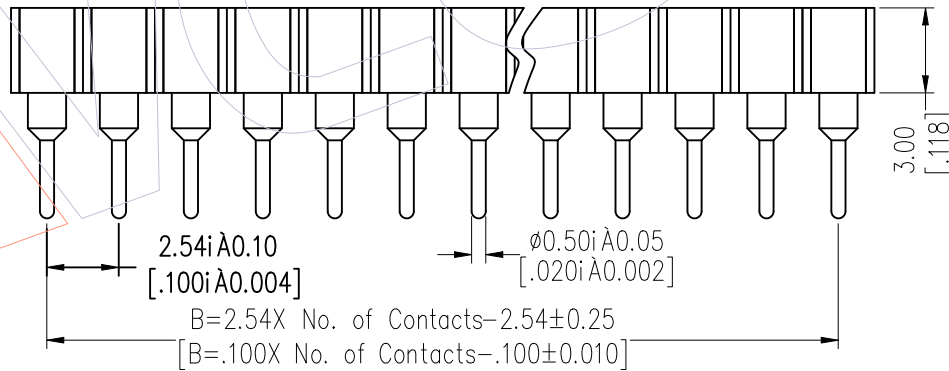
Sleeve: Brass CuZn36Pb3(C36000)
 Contact Clip(4 finger): BeCu(C17200)
 Insulator Material: PPS+30%G.F(UL94V-0)



Ordering Information

3520-301 XX S XX 074 X 1

No. of Pin: 2-50PIN
 Contact Plating: S0=Gold Flash/Tin, S3=10u"Gold/Tin, S4=15u"Gold/Tin, S5=30u"Gold/Tin, SN=Tin
 Packing: A=Tray, T=Tube



Item	Pitch	Mating
Standard	2.54	3510
Alternate		

OPERATION	DRAW	DATE	SCALE	FIT	PART NO.
x.x ±0.40	JYHuang	2012/10/18	UNIT mm		3520-301XXSXX074X1
x.xx ±0.25	CHECK	DATE	SIZE A4		TITLE: 2.54mm MACHINED FEMALE HEADER SINGLE ROW 180° H=3.00 L=7.43
x.xxx ±0.15	APPROVE	DATE	SHEET 1/1		Customer NO.
Angle ± 3°			PROJ.		
DIM TOL					

WCON

Http: www.wcon.com

WCON-Dongguan Tel: +86 769 85358920 Fax: +86 769 85358915 E-mail: sales@wcon.com
 WCON-Kunshan Tel: +86 512 57468408 Fax: +86 512 57468468 E-mail: salesks@wcon.com

REV	DATE	MODIFICATION DESCRIPTION	CHANGE
A0	2012/10/18	NEW	-----