

HSF

TECHNICAL SPECS:

Current Rating: 3.0AMP
 Contact Resistance: 10mΩ Max
 Dielectric Strength: Min 1000VRMS
 Mechanical Life: Min 500 cycles
 Operation Temperature: -40°C to +105°C

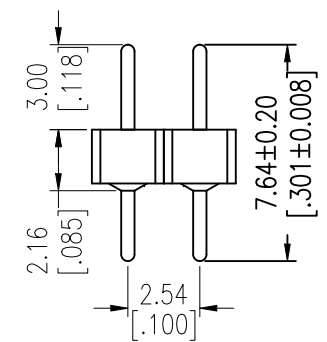
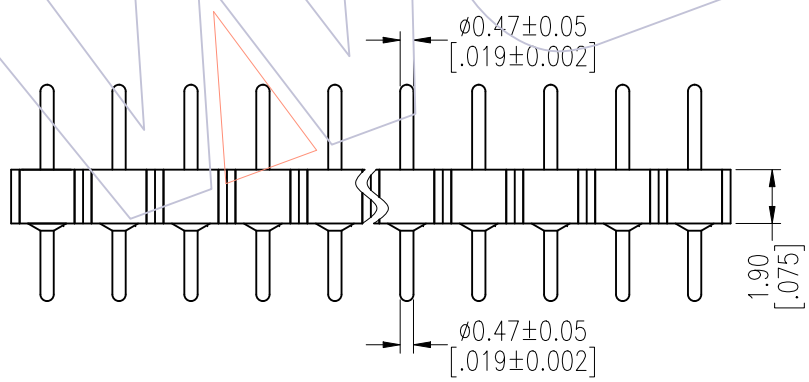
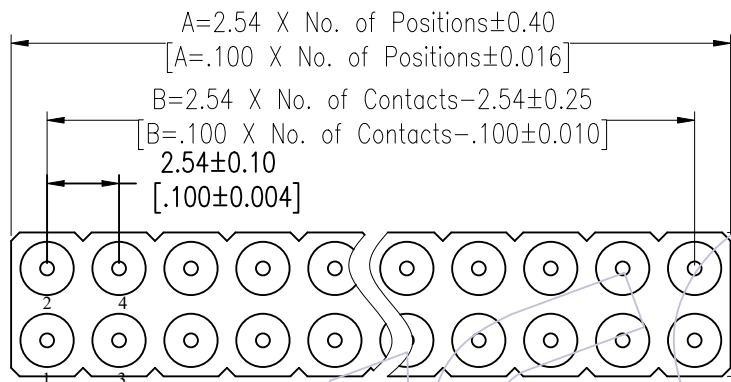
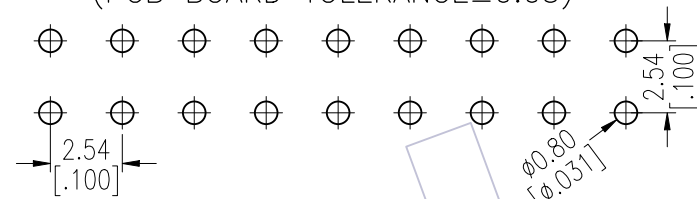
Sleeve: Brass CuZn36Pb3(C36000)
 Contact plating: Au over Ni
 Connecting Pin: $\phi 0.47\text{mm}$
 Insulator Material: PPS+30%G.F(UL94V-0)

Ordering Information

3510-192 XX S XX 076 X 1

No. of Pin: 2~50PIN
 Contact Plating:
 G0=Gold Flash
 G3=10u"Gold
 G4=15u"Gold
 G5=30u"Gold
 Packing:
 A=Tray
 T=Tube

Recommended P.C.B Layout(Top Side)
 (PCB BOARD TOLERANCE ± 0.05)



Item	Pitch	Mating
Standard	2.54	3520
Alternate		

REV	DATE	MODIFICATION DESCRIPTION	CHANGE	OPERATION	DRAW	DATE	SCALE	FIT	PART NO.
A0	2012/10/22	NEW	-----	x.x ±0.40	JYHuang	2012/10/22	UNIT mm		3510-192XSXX076X1
				x.xx ±0.25	CHECK	DATE	SIZE A4		TITLE:
				x.xxx ±0.15	APPROVE	DATE	SHEET 1/1		2.54mm MACHINED PIN HEADER DUAL ROW 180° H=1.90 L=7.64
				Angle ± 3°			PROJ.		Customer NO.
				DIM TOL					

WCON

Http: www.wcon.com

WCON-Dongguan Tel: +86 769 85358920 Fax: +86 769 85358915 E-mail: sales@wcon.com
 WCON-Kunshan Tel: +86 512 57468408 Fax: +86 512 57468468 E-mail: salesks@wcon.com