

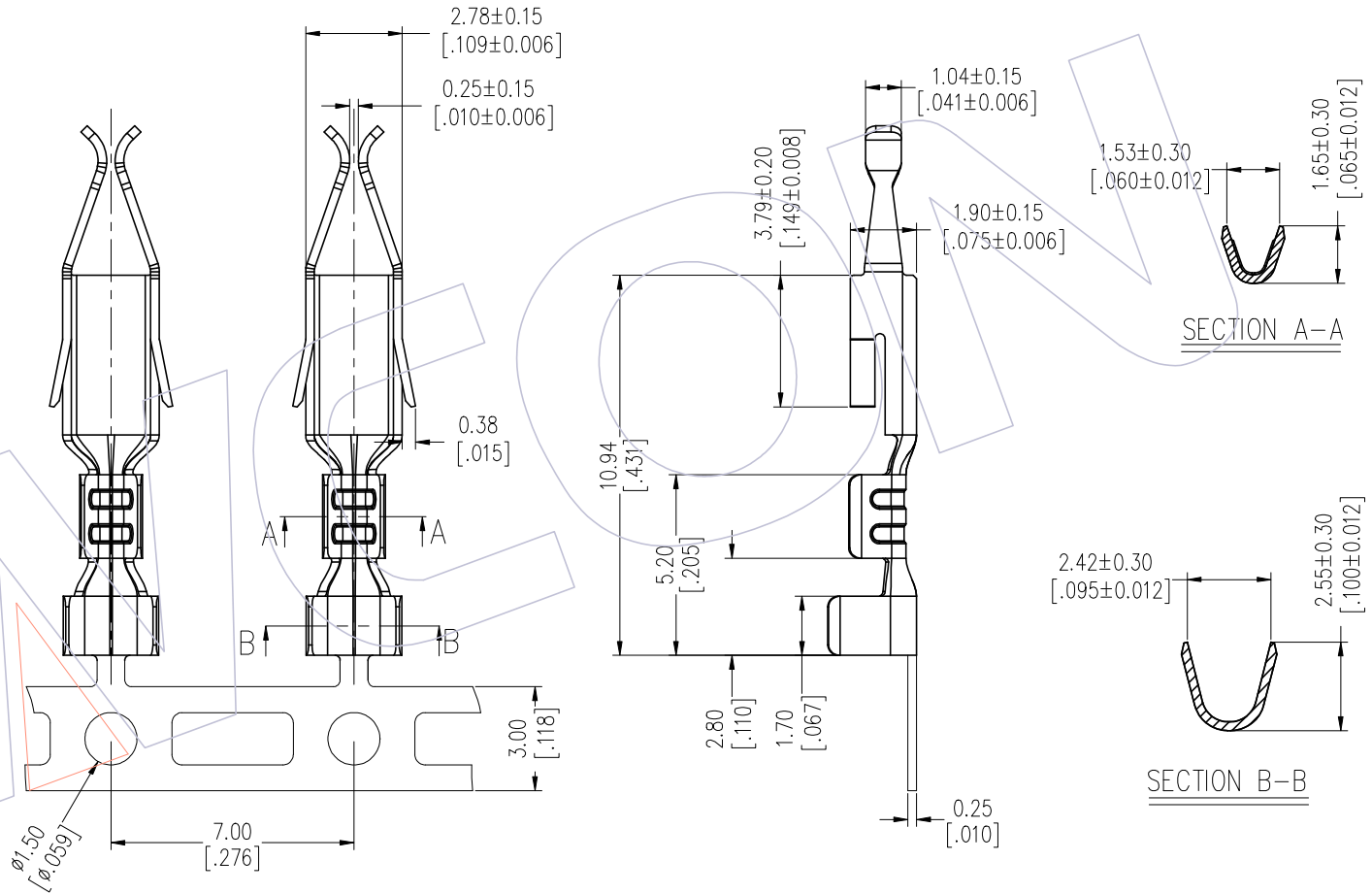
# HSF

NOTES:  
 Rated Current: 5.0AMP  
 Voltage Rating: 32V AC/DC  
 Contact Resistance: 10mΩ max  
 Withstand Voltage: 1000V AC/DC 1 minute  
 Insulation Resistance: 1000MΩ min  
 Operation Temperature: -40℃ to +115℃  
 Contact Material: Phosphor bronze  
 Contact plating: Sn over Ni or Au over Ni  
 Fit wire Range: 24#~26#AWG  $\triangle$

## Ordering Information

WF2512 - T P XX 0 1

Contact Plating  
 S0=Gold Flash/Tin  
 S3=10u"Au/Tin  
 S4=15u"Au/Tin  
 S5=30u"Au/Tin  
 SN=Tin



				OPERATION	DRAW	DATE	SCALE	FIT	PART NO.
				X.X	SU	2019/10/26	UNIT	mm	WF2512-TPXX01
A1	2019/10/26	Add wire Range	$\triangle$	$\pm 0.40$	CHECK	DATE	SIZE	A4	TITLE:
AO	2018/09/25	NEW	—	$\pm 0.25$	APPROVE	DATE	SHEET	1/1	2.50 Pitch Cable Terminal
REV	DATE	MODIFICATION DESCRIPTION	CHANGE	X.XXX			PROJ.	$\phi$	Customer NO.
				Angle	$\pm 3^\circ$				
				DIM	TOL				

# WCON

Http: www.wcon.com

WCON-Dongguan	WCON-Kunshan
Tel: +86 769 85358920	Tel: +86 512 57468408
Fax: +86 769 85358915	Fax: +86 512 57468468
E-mail: sales@wcon.com	E-mail: sales@wcon.com