

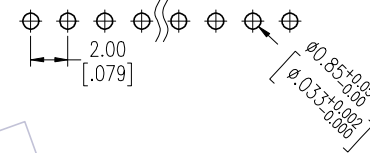
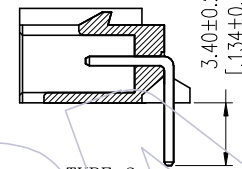
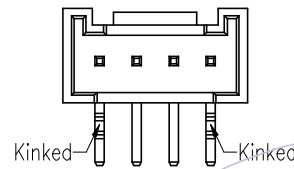
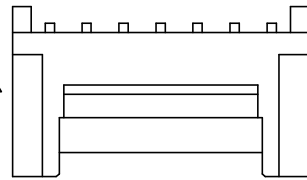
# HSF

Recommended P.C.B Layout(Top Side)  
(PCB BOARD TOLERANCE±0.05)

**NOTES:**

Rated Current:2.0AMP  
 Rated Voltage:125V AC/DC  
 Contact Resistance:20mΩ max  
 Withstand Voltage:250V AC/DC  
 Insulation Resistance:500MΩ min  
 Operation Temperature:-40℃ to +105℃

Contact Material:Brass  
 Contact plating:Au Or Sn Over Ni  
 Insulator Material:PA6T+30%G.F UL94V-0



TYPE 1	WF2005-WRXXXT1
TYPE 2	WF2005-WRXXXT2

**Specification & Ordering Information:**

Circuit	Part No.	Dimension				
		A	B	C	D	E
02	WF2005-WR02XTX	2.0	4.8	6.0	3.2	3.2
03	WF2005-WR03XTX	4.0	6.8	8.0	2.0	4.8
04	WF2005-WR04XTX	6.0	8.8	10.0	4.0	6.8
05	WF2005-WR05XTX	8.0	10.8	12.0	6.0	8.8
06	WF2005-WR06XTX	10.0	12.8	14.0	8.0	10.8
07	WF2005-WR07XTX	12.0	14.8	16.0	10.0	12.8
08	WF2005-WR08XTX	14.0	16.8	18.0	12.0	14.8
09	WF2005-WR09XTX	16.0	18.8	20.0	14.0	16.8
10	WF2005-WR10XTX	18.0	20.8	22.0	16.0	18.8
11	WF2005-WR11XTX	20.0	22.8	24.0	18.0	20.8
12	WF2005-WR12XTX	22.0	24.8	26.0	20.0	22.8
13	WF2005-WR13XTX	24.0	26.8	28.0	22.0	24.8
14	WF2005-WR14XTX	26.0	28.8	30.0	24.0	26.8
15	WF2005-WR15XTX	28.0	30.8	32.0	26.0	28.8
16	WF2005-WR16XTX	30.0	32.8	34.0	28.0	30.8

**Ordering Information**

WF2005 - WR XX X T X

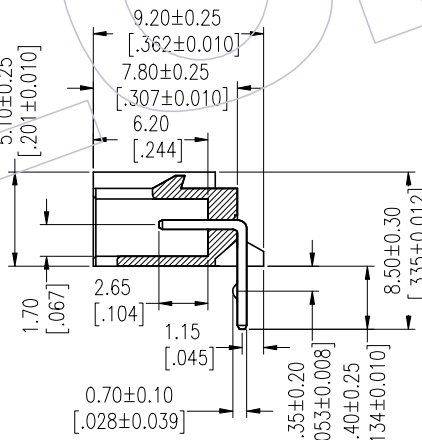
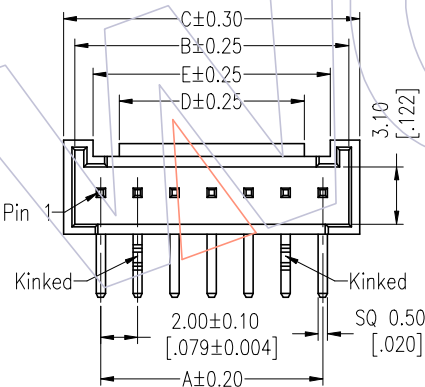
No. of pins  
02-16P

Contact Plating  
S0=Gold Flash/Tin  
S3=10u"Gold/Tin  
S4=15u"Gold/Tin  
S5=30u"Gold/Tin  
G0=Gold Flash  
G3=10u"Gold  
G4=15u"Gold  
G5=30u"Gold  
Blank=Tin

Color  
B=Black  
E=Beige  
W=White

Series No.  
1=Type 1  
2=Type 2

Packing  
T=Tube



TYPE 1  
KINKED PIN

REV	DATE	MODIFICATION DESCRIPTION	CHANGE	OPERATION	DRAW	DATE	SCALE	FIT	PART NO.	 Http: www.wcon.com WCON-Dongguan WCON-Kunshan Tel: +86 769 85358920 Tel: +86 512 57468408 Fax: +86 769 85358915 Fax: +86 512 57468468 E-mail: sales@wcon.com E-mail: sales@wcon.com
A2	2022/04/20	Modify Operation Temperature	DuYing	X.X ±0.40	DuYing	2022/04/20	UNIT mm		SEE TAB	
A1	2014/03/13	Modify The Material:PA9T--PA6T	JYHuang	X.XX ±0.25	CHECK	DATE	SIZE A4		TITLE: 2.00 WAFER 90° DIP	
A0	2012/09/05	NEW		X.XXX ±0.15	APPROVE	DATE	SHEET 1/1		Customer NO.	
				Angle ± 3°			PROJ.			