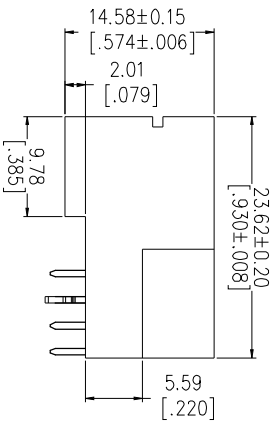
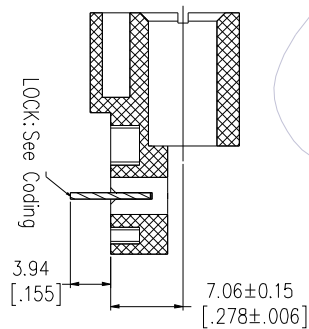
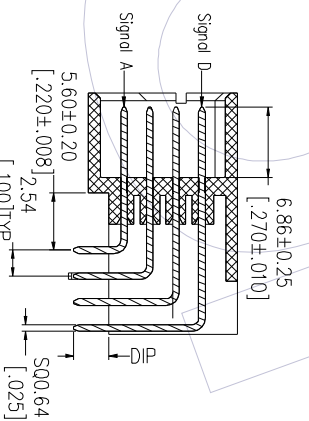
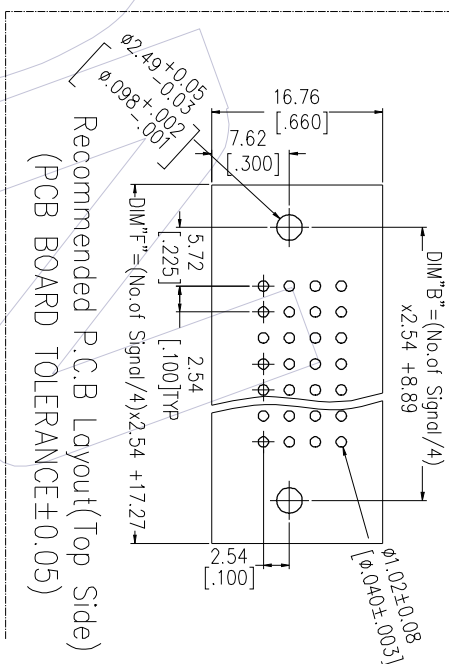
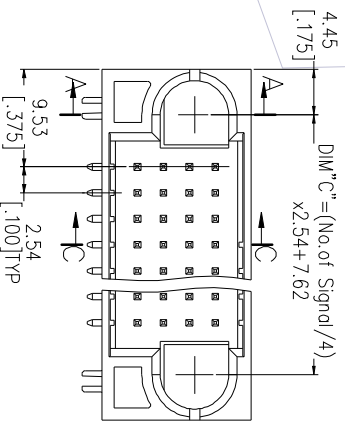
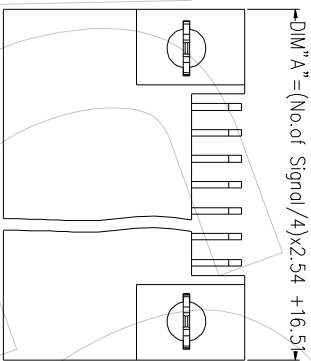
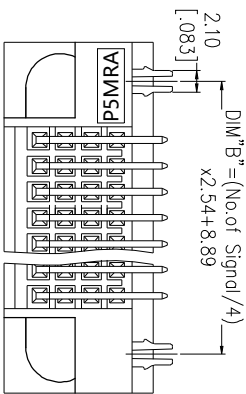


NOTES:

1. Insulator material: PA9T+33%G.F, UL94 V-0;
2. Terminal material: Copper Alloy;
Terminal Plating: Au/Sn Plated Over Nickel ;
3. Rated Voltage: Signal 50V; $\Delta 1$
4. Rated Current: Signal 2.5A; $\Delta 1$
5. Contact Resistance:
Signal 20m Ω Max; $\Delta 1$
6. Insulation Resistance: DC500V
Signal 500M Ω Min; $\Delta 1$
7. Insulation Withstand Voltage:
Signal 1000VAC/1min ; $\Delta 1$
8. Durability : 200 cycling;
9. Operation Temperature: -20°C to +105°C;



No. Signal:
004=4Pin
008=8Pin
100=100Pin
104=104Pin
144=144Pin
148=148Pin

Signal Contact Plated:
S3=10u" Gold /Tin
S4=15u" Gold /Tin
S5=30u" Gold /Tin
w3=10u" Gold /Mate Tin
w4=15u" Gold /Mate Tin
w5=30u" Gold /Mate Tin

Trail Options(DIP Type):
A=3.43mm
B=2.29mm
C=4.19mm

Fixed Mode:
M: W/T Lock
N: W/O Lock

Packing:
A=Tray

PSMR A - XXX XX X X A 1

OPERATION	DRAW	DATE	SCALE	FIT	PART NO.
X.X	PAN	2022/03/28	mm	A4	PSMRA-XXXXXXA1
X.XX	CHECK	DATE	inch	A4	TITLE: PSP Spacing A 90° DIP MALE (TYPE-5.254 Signal)
X.XXX	APPROVE	DATE	1/1	Customer NO.	

ANGLE	APPROVE <th>DATE</th> <th>SCALE</th> <th>FIT</th> <th>PART NO.</th>	DATE	SCALE	FIT	PART NO.
± 3°			mm	A4	PSMRA-XXXXXXA1
			inch	A4	TITLE: PSP Spacing A 90° DIP MALE (TYPE-5.254 Signal)
			1/1	Customer NO.	

OPERATION	DRAW	DATE	SCALE	FIT	PART NO.
X.X	PAN	2022/03/28	mm	A4	PSMRA-XXXXXXA1
X.XX	CHECK	DATE	inch	A4	TITLE: PSP Spacing A 90° DIP MALE (TYPE-5.254 Signal)
X.XXX	APPROVE	DATE	1/1	Customer NO.	

OPERATION	DRAW	DATE	SCALE	FIT	PART NO.
X.X	PAN	2022/03/28	mm	A4	PSMRA-XXXXXXA1
X.XX	CHECK	DATE	inch	A4	TITLE: PSP Spacing A 90° DIP MALE (TYPE-5.254 Signal)
X.XXX	APPROVE	DATE	1/1	Customer NO.	

OPERATION	DRAW	DATE	SCALE	FIT	PART NO.
X.X	PAN	2022/03/28	mm	A4	PSMRA-XXXXXXA1
X.XX	CHECK	DATE	inch	A4	TITLE: PSP Spacing A 90° DIP MALE (TYPE-5.254 Signal)
X.XXX	APPROVE	DATE	1/1	Customer NO.	



WCON-Dongguan
Tel: +86 769 85358920
Fax: +86 769 85358915
E-mail: sales@wcon.com

WCON-Kunshan
Tel: +86 512 57468408
Fax: +86 512 57468468
E-mail: sales@wcon.com