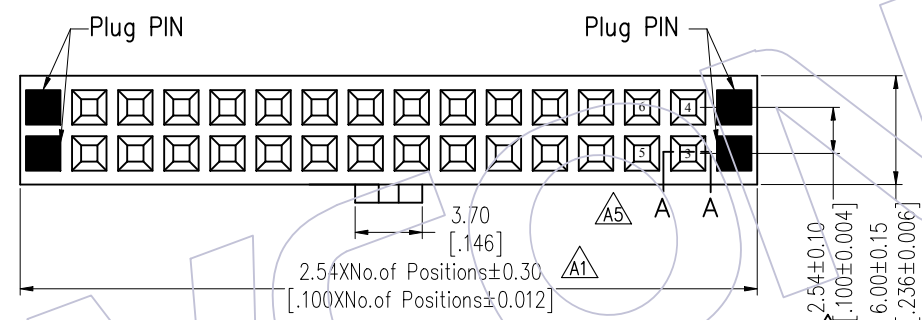
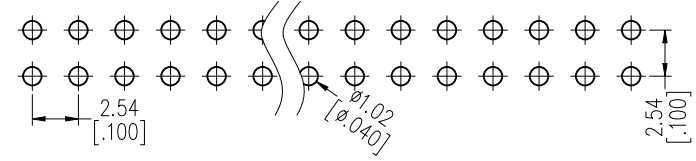


HSF

Recommended P.C.B Layout(Top Side)
(PCB BOARD TOLERANCE±0.05)

NOTES:
 Current Rating: 3.0AMP
 Contact Resistance: 20mΩ Max
 Withstand Voltage: 1000V AC/DC
 Insulation Resistance: 1000MΩ Min
 Operation Temperature: -40°C to +105°C

Contact Material: Phosphor Bronze or Brass
 Contact plating: Au Or Sn over Ni
 Insulator Material: PA9T+33%G.F UL94V-0(Std)
 Or PBT+30%G.F UL94V-0

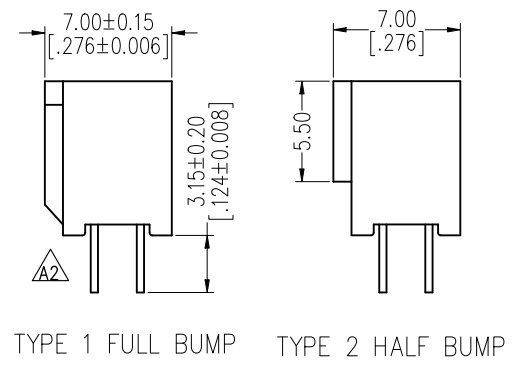
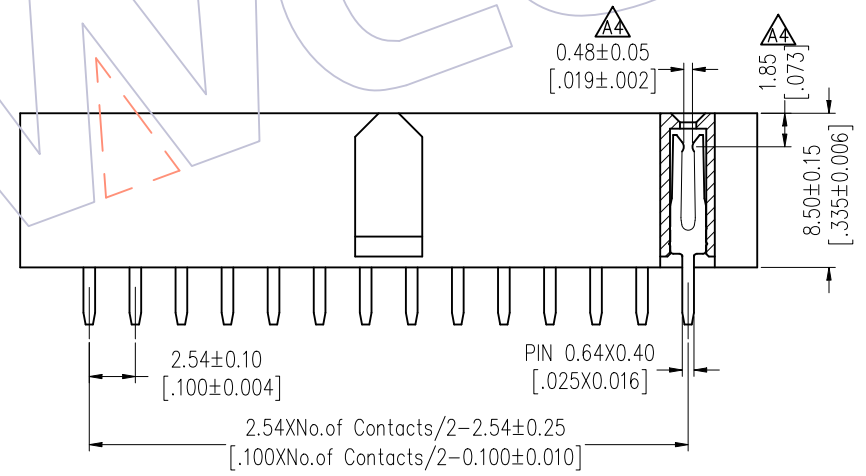


TITLE	PART NO.
TYPE 1	2185-2XXSXXXYN A5
TYPE 2	2185-2XXSXXXYN A6

Ordering Information

2185 - 2 XX S XX X Y N A X

- No. of Pins per ROW: 02-27PIN
- Contact Plating: G0=Gold Flash, G3=10μ"Gold, G4=15μ"Gold, G5=30μ"Gold, S0=Gold Flash/Tin, S3=10μ"Gold/Tin, S4=15μ"Gold/Tin, S5=30μ"Gold/Tin, SN=Tin, SM=Matte Tin
- Insulator: A=PBT, C=PA9T
- Packing: A=Tray, T=Tube
- Series No. 5=TYPE 1, 6=TYPE 2



Item	Pitch	Mating
Standard	2.54	1115/1120/1125
Alternate		

REV	DATE	MODIFICATION DESCRIPTION	CHANGE	OPERATION	DRAW	DATE	SCALE	FIT	PART NO.
A5	2017/07/12	Modify		OPERATION	DRAW	DATE	SCALE	FIT	PART NO.
A4	2016/08/23	ADD THE DIM.		X.X ± 0.40	Surong Xu	2017/07/12	UNIT	mm	SEE TABLE
A3	2015/08/27	Modify		X.XX ± 0.25	CHECK	DATE	SIZE	A4	TITLE:
A0	2012/08/15	NEW	-----	X.XXX ± 0.15	APPROVE	DATE	SHEET	1/1	FH2.54 DUAL ROW 180°DIP H=8.50 WITH BUMP Plug pin
				Angle ± 3°			PROJ.		Customer NO.
				DIM TOL					

WCON
 Http: www.wcon.com
 WCON-Dongguan Tel: +86 769 85358920 Fax: +86 769 85358915 E-mail: sales@wcon.com
 WCON-Kunshan Tel: +86 512 57468408 Fax: +86 512 57468468 E-mail: salesks@wcon.com