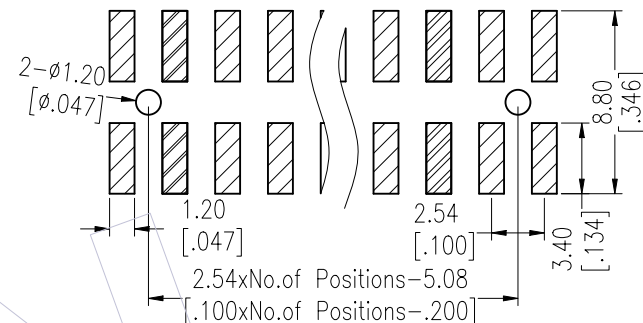
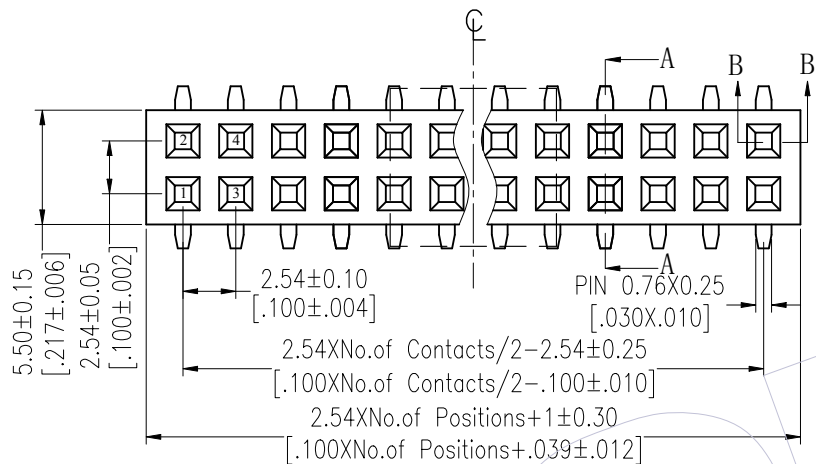


# HSF

NOTES:  
 Current Rating: 3.0AMP  
 Contact Resistance: 20mΩ Max  
 Withstand Voltage: 1000V AC  
 Insulation Resistance: 1000MΩ Min  
 Operation Temperature: -40°C to +105°C

Contact Material: Phosphor Bronze Or Brass  
 Contact plating: Au Or Sn over Ni  
 Insulator Material: PA9T+33%G.F UL94V-0

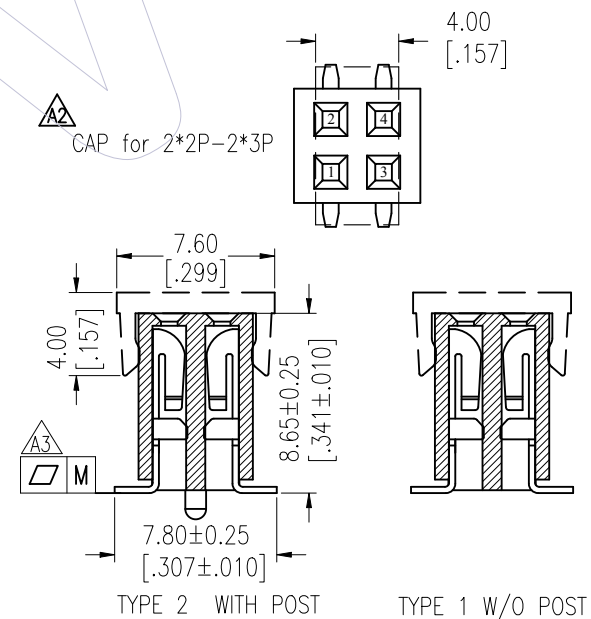
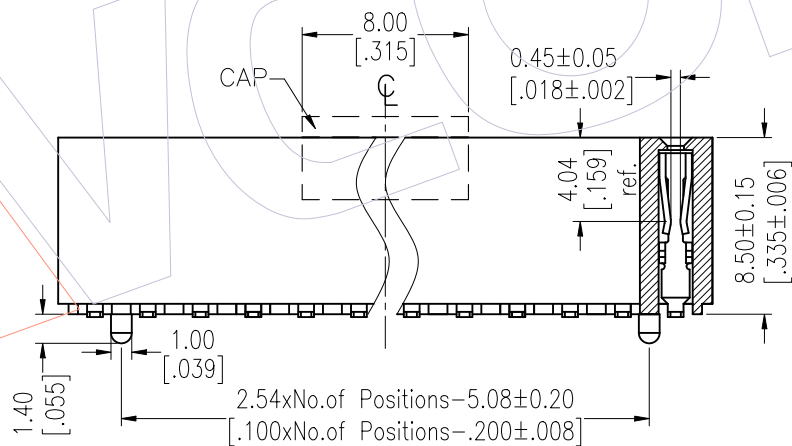
Recommended P.C.B Layout (Top Side)  
 (PCB BOARD TOLERANCE ±0.05)



## Ordering Information

2185 - 2 XX M XX CUN X X

No. of Pins per ROW: 02-40PIN  
 Contact Plating: G0=Gold Flash, G3=10μ"Gold, G4=15μ"Gold, G5=30μ"Gold, S0=Gold Flash/Tin, S3=10μ"Gold/Tin, S4=15μ"Gold/Tin, S5=30μ"Gold/Tin, SN=Tin, SM=Matte Tin  
 Packing: T=Tube, P=Tube+CAP, R=Tape&Reel+CAP  
 Series No. 1=TYPE 1, 2=TYPE 2



| Item      | Pitch | Mating         |
|-----------|-------|----------------|
| Standard  | 2.54  | 1115/1120/1125 |
| Alternate |       |                |

| REV | DATE       | MODIFICATION DESCRIPTION | CHANGE | OPERATION   | DRAW      | DATE       | SCALE | FIT |
|-----|------------|--------------------------|--------|-------------|-----------|------------|-------|-----|
| A3  | 2023/02/13 | Modify Flatness          | -----  | OPERATION   | DRAW      | DATE       | SCALE | FIT |
| A2  | 2018/04/28 | Add CAP for 2*2P-2*3P    | -----  | x.X ±0.40   | Surong Xu | 2023/02/13 | UNIT  | mm  |
| A1  | 2014/11/27 | Modify drawing           | -----  | x.XX ±0.25  | CHECK     | DATE       | SIZE  | A4  |
| A0  | 2012/08/15 | NEW                      | -----  | x.XXX ±0.15 | APPROVE   | DATE       | SHEET | 1/1 |
|     |            |                          |        | Angle ± 3°  |           |            | PROJ. |     |
|     |            |                          |        | DIM TOL     |           |            |       |     |

| Pin(Per Row) | 2-15P | 16-25P | 26-40P |
|--------------|-------|--------|--------|
| M            | 0.10  | 0.15   | 0.18   |

| TITLE  | PART NO.         |
|--------|------------------|
| TYPE 1 | 2185-2XXMXXCUNX1 |
| TYPE 2 | 2185-2XXMXXCUNX2 |

**WCON**

Http: www.wcon.com

WCON-Dongguan Tel: +86 769 85358920 Fax: +86 769 85358915 E-mail: sales@wcon.com  
 WCON-Kunshan Tel: +86 512 57468408 Fax: +86 512 57468468 E-mail: salesks@wcon.com

PART NO. SEE TABLE  
 TITLE: 2.54mm Female Header DUAL ROW 180°SMT H=8.50  
 Customer NO.