

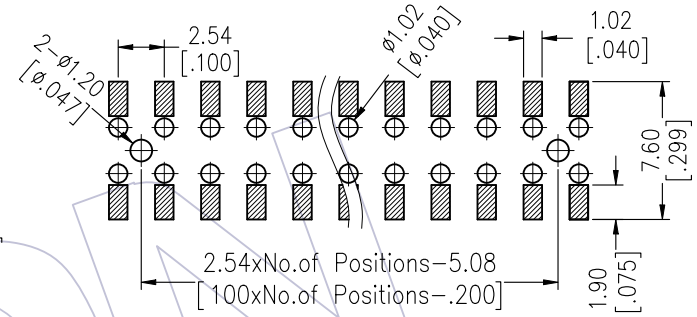
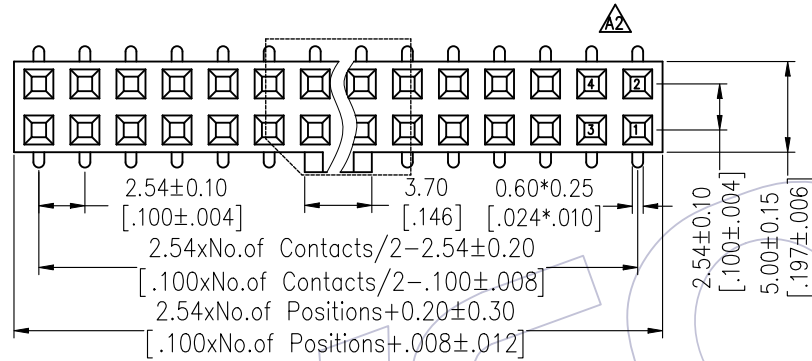
# HSF

**NOTES:**

Current Rating: 3.0AMP  
 Contact Resistance: 20mΩ Max  
 Withstand Voltage: 1000V AC  
 Insulation Resistance: 1000MΩ Min  
 Operation Temperature: -40℃ to +105℃

Contact Material: Phosphor Bronze  
 Contact plating: Au Or Sn over Ni  
 Insulator Material: PA9T+33%G.F UL94V-0

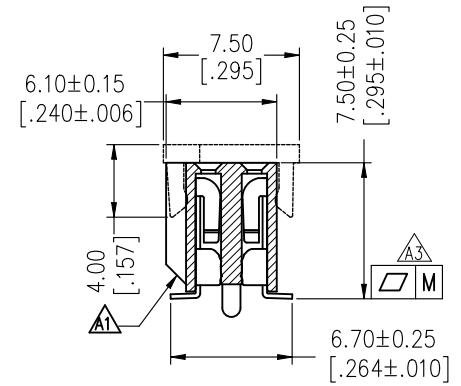
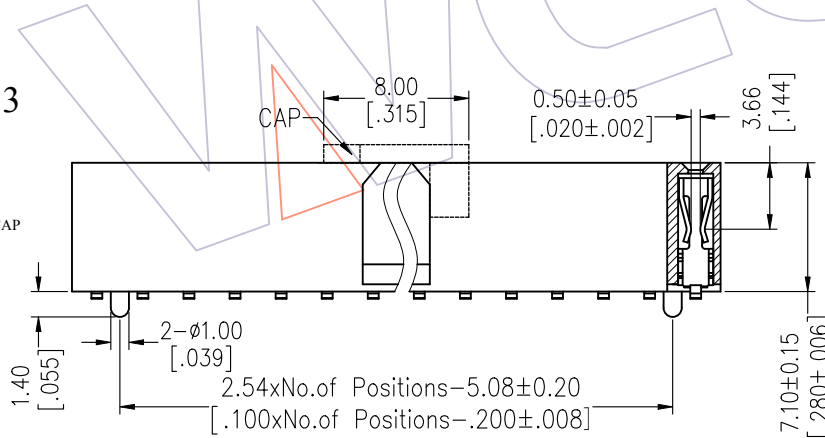
**Recommended P.C.B Layout(Top Side)**  
 (PCB BOARD TOLERANCE±0.05)



## Ordering Information

2171 - 2 XX M XX CUN X 3

- No. of Pins per ROW: 02-40PIN
- Contact Plating:  
 G0=Gold Flash  
 G3=10μ"Gold  
 G4=15μ"Gold  
 G5=30μ"Gold  
 S0=Gold Flash/Tin  
 S3=10μ"Gold/Tin  
 S4=15μ"Gold/Tin  
 S5=30μ"Gold/Tin  
 SN=Tin  
 SM=Matte Tin
- Packing:  
 T=Tube  
 P=Tape+CAP  
 R=Tape&Reel+CAP



Item	Pitch	Mating
Standard	2.54	1115/1120/1125
Alternate		

Pin(Per Row)	2-15P	16-25P	26-40P
M	0.10	0.15	0.18

REV	DATE	MODIFICATION DESCRIPTION	CHANGE	DIM	TOL	APPROVE	DATE	SCALE	FIT	PART NO.
A3	2023/02/13	Modify Flatness	-----	OPERATION						2171-2XXMXXCUNX3
A2	2017/07/20	modify	-----	x.X	±0.40	XSR	2023/02/13	UNIT	mm	TITLE:
A1	2013/12/10	modify drawing	-----	x.XX	±0.25	CHECK		SIZE	A4	2.54mm Female Header DUAL ROW
A0	2012/08/13	NEW	-----	x.XXX	±0.15			SHEET	1/1	SMT H=7.1 WITH BUMP AND POST
				Angle	± 3°			PROJ.		Customer NO.

**WCON**  
 Http: www.wcon.com

WCON-Dongguan      WCON-Kunshan  
 Tel: +86 769 85358920      Tel: +86 512 57468408  
 Fax: +86 769 85358915      Fax: +86 512 57468468  
 E-mail: sales@wcon.com      E-mail: salesks@wcon.com