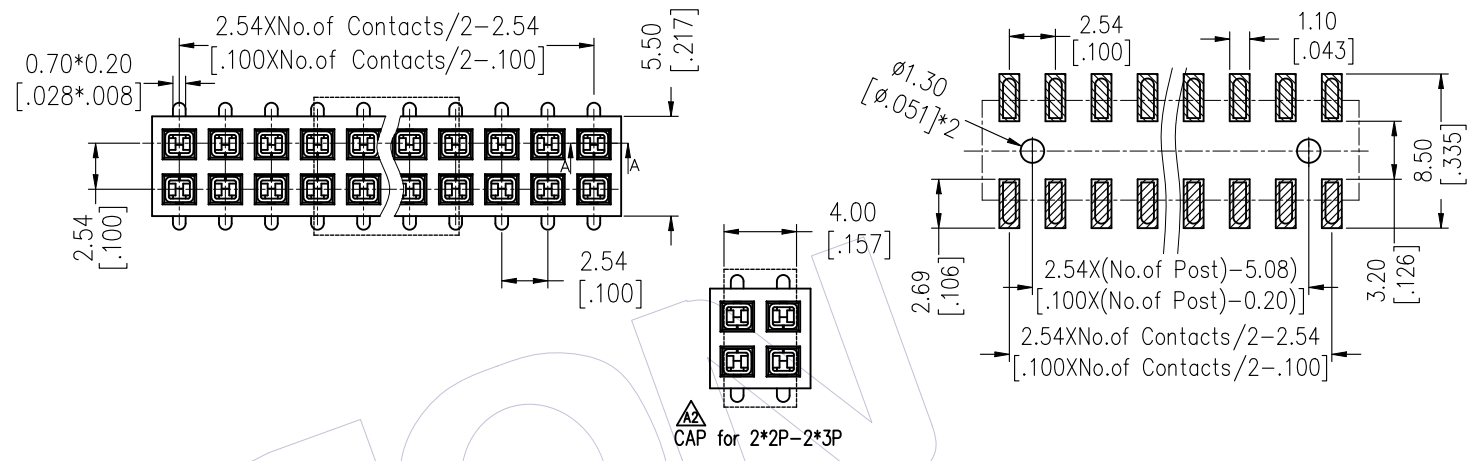


# HSF

NOTES:  
 Current Rating: 3.0AMP  
 Contact Resistance: 20mΩ Max  
 Withstand Voltage: 1000V AC  
 Insulation Resistance: 1000MΩ Min  
 Operation Temperature: -40℃ to +105℃

Contact Material: Phosphor Bronze  
 Contact plating: Au Or Sn over Ni  
 Insulator Material: PA9T+33%G.F UL94V-0

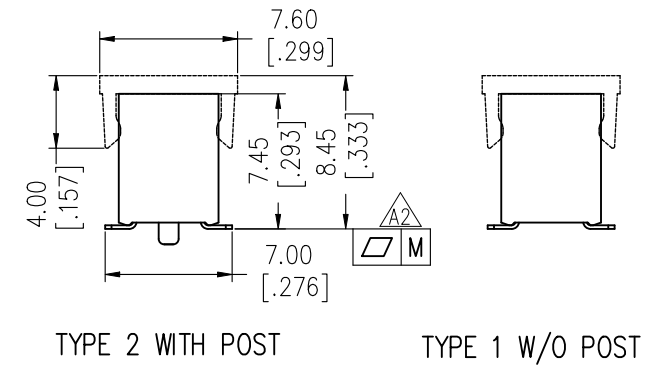
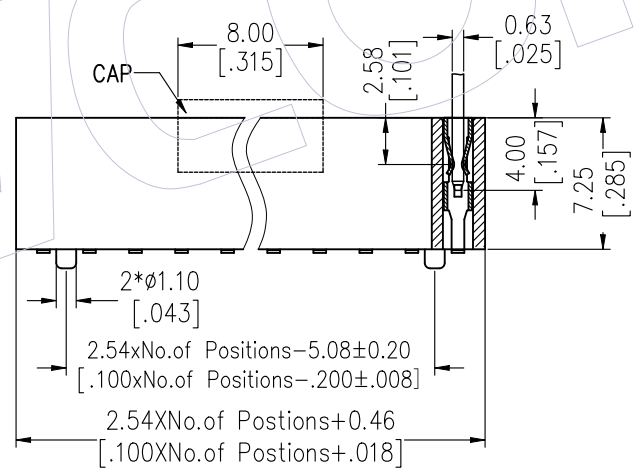
Recommended P.C.B Layout (Top Side)  
 (PCB BOARD TOLERANCE ±0.05)



## Ordering Information

2171T - 2 XX M XX GUN X X

- No. of Pins per ROW: 02-40PIN
- Contact Plating: G0=Gold Flash, G3=10μ"Gold, G4=15μ"Gold, G5=30μ"Gold, S0=Gold Flash/Tin, S3=10μ"Gold/Tin, S4=15μ"Gold/Tin, S5=30μ"Gold/Tin, SN=Tin, SM=Matte Tin
- Packing: T=Tube, P=Tube+CAP, R=Tube&Reel+CAP
- Series No. 1=TYPE 1, 2=TYPE 2



Item	Pitch	Mating
Standard	2.54	1115/1120/1125
Alternate		

Pin (Per Row)	2-15P	16-25P	26-40P
M	0.10	0.15	0.18

TITLE	PART NO.
TYPE 1	2171T-2XXMXXGUNX1
TYPE 2	2171T-2XXMXXGUNX2

REV	DATE	MODIFICATION DESCRIPTION	CHANGE	OPERATION	DRAW	DATE	SCALE	FIT	PART NO.
A3	2023/02/13	Modify Flatness	-----	OPERATION	DRAW	2023/02/13	SCALE	FIT	SEE TABLE
A2	2018/04/28	Add CAP for 2*2P-2*3P	-----	X.X ±0.40	XSR		UNIT	mm	
A1	2014/04/25	Modify drawing	-----	X.XX ±0.25	CHECK		SIZE	A4	TITLE:
A0	2012/08/13	NEW	-----	X.XXX ±0.15			SHEET	1/1	180°SMT H=7.25
				Angle ± 3°	APPROVE		PROJ.		Customer NO.
				DIM TOL					

**WCON**  
 Http: www.wcon.com  
 WCON-Dongguan Tel: +86 769 85358920 Fax: +86 769 85358915 E-mail: sales@wcon.com  
 WCON-Kunshan Tel: +86 512 57468408 Fax: +86 512 57468468 E-mail: salesks@wcon.com