

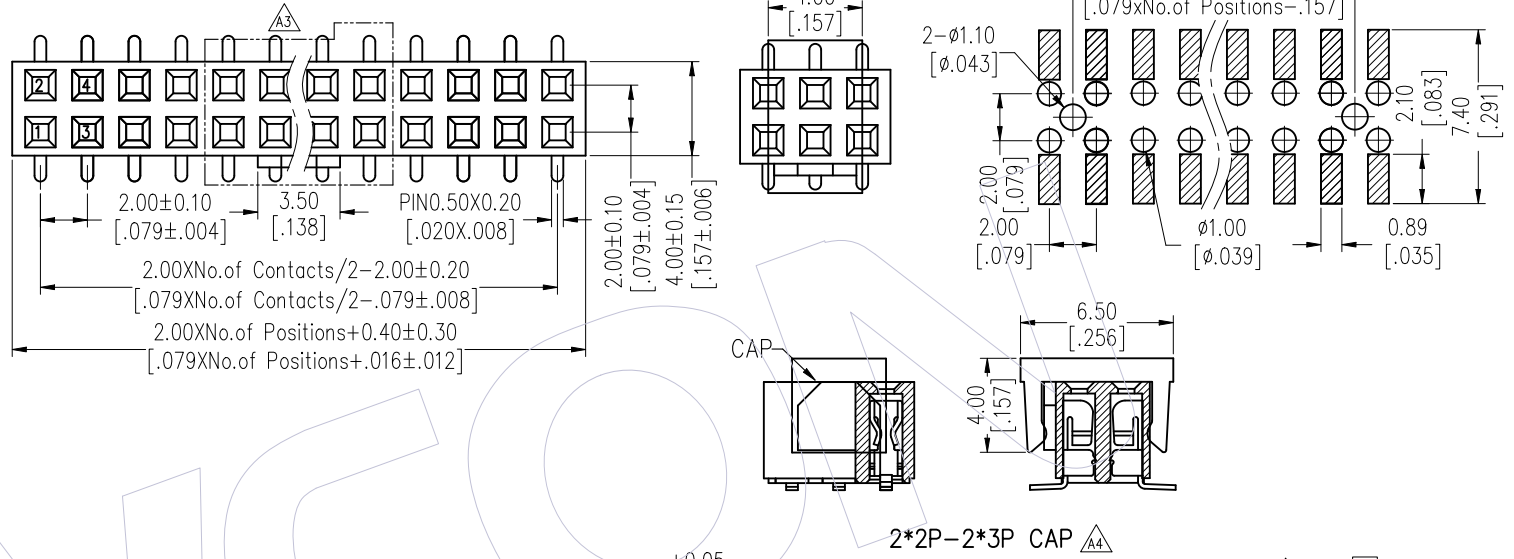
HSF

NOTES:

Current Rating: 2.0AMP
 Contact Resistance: 20mΩ Max
 Withstand Voltage: 500V AC
 Insulation Resistance: 1000MΩ Min
 Operation Temperature: -40°C to +125°C(Au)
 -40°C to +105°C(Sn)

Contact Material: Phosphor Bronze
 Contact plating: Au Or Sn over Ni
 Insulator Material: PA9T+33%G.F UL94V-0

Recommended P.C.B Layout(Top Side)
 (PCB BOARD TOLERANCE±0.05)



Ordering Information

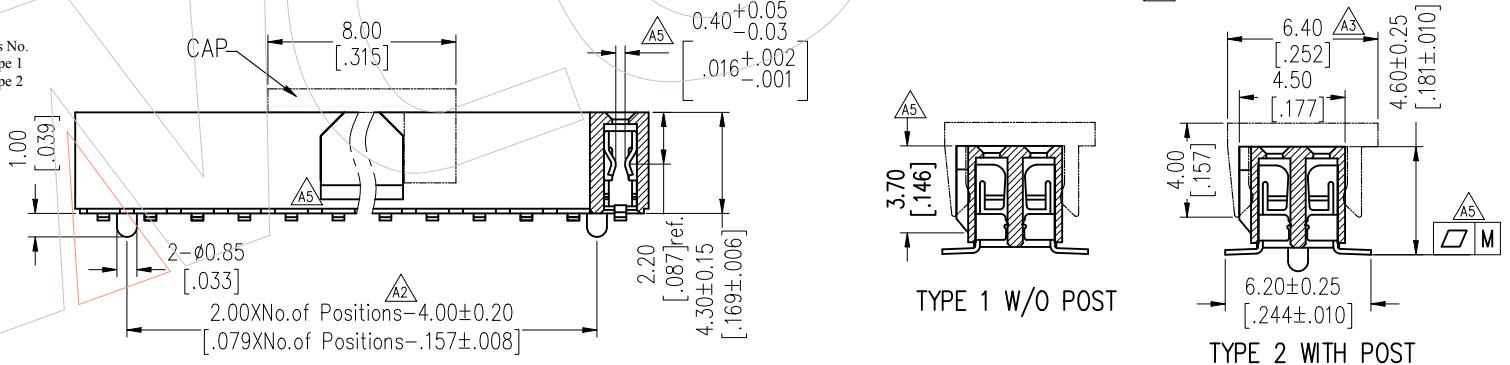
2243N-2 XX M XX CUN X X

No. of Pins per Row: 02-40Pin

Contact Plating:
 G0=Gold Flash
 G3=10μ"Gold
 G4=15μ"Gold
 G5=30μ"Gold
 S0=Gold Flash/Tin
 S3=10μ"Gold/Tin
 S4=15μ"Gold/Tin
 S5=30μ"Gold/Tin
 SN=Tin
 SM=Matte Tin

Packing:
 T=Tube
 P=Tube+CAP
 R=Tape&Reel+CAP

Series No.
 3=Type 1
 4=Type 2



Item	Pitch	Mating
Standard	2.00	1215/1220/3111
Alternate		

Pin(Per Row)	2-15P	16-25P	26-40P
M	0.10	0.15	0.18

TITLE	PART NO.
TYPE 1	2243N-2XXMXXCUNX3
TYPE 2	2243N-2XXMXXCUNX4

REV	DATE	MODIFICATION DESCRIPTION	CHANGE	OPERATION	DRAW	DATE	SCALE	FIT	PART NO.
A5	2019/11/11	Modify Drawing	A5	OPERATION	DRAW	2019/11/11	SCALE	FIT	2243N-2XXMXXCUNX3/4
A4	2017/10/17	Modify P/N, Add 2*2P-2*3P CAP	A4	x.X ±0.40	Surong Xu		UNIT	mm	
A3	2016/07/07	Modify The CAP	A3	x.XX ±0.25	CHECK		SIZE	A4	
A0	2012/07/12	NEW		x.XXX ±0.15	APPROVE		SHEET	1/1	
				Angle ± 3°			PROJ.		
				DIM TOL					

WCON
 Http: www.wcon.com

WCON-Dongguan WCON-Kunshan
 Tel: +86 769 85358920 Tel: +86 512 57468408
 Fax: +86 769 85358915 Fax: +86 512 57468468
 E-mail: sales@wcon.com E-mail: salesks@wcon.com