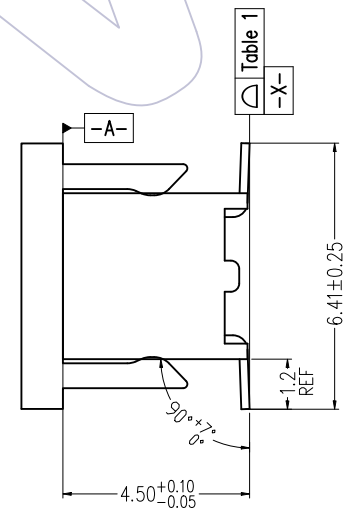
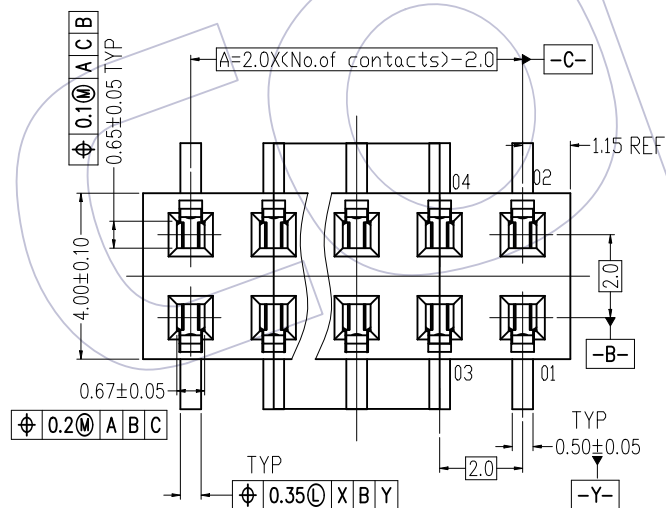
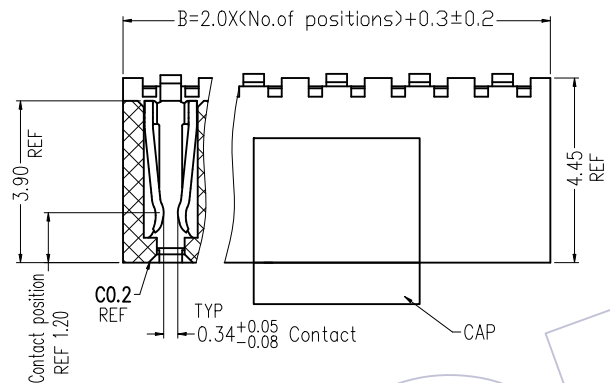


HSF

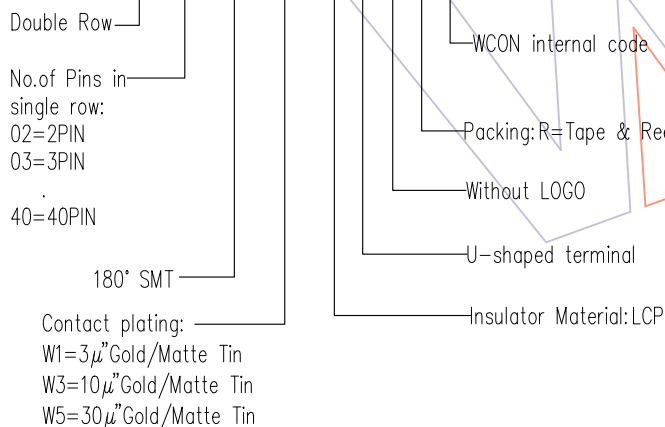
NOTES:

- 1.Current Rating: 3.9A per pin(2 pins powered);
- 2.Contact Resistance: 20mΩ Max;
- 3.Withstand Voltage: 500V AC;
- 4.Insulation Resistance: 1000MΩ Min;
- 5.Operating Temperature: -55°C to +125°C;
- 6.Insulator Material: LCP,G.F,UL94V-0,BK;
- 7.Contact Material:Copper Alloy;
- 8.Contact plating:
 xxμ" Gold on contact area (See ordering information),
 100μ" Matte TIN on solder area,
 50μ" Nickel underplating overall;
- 9.Recommended process:
 IR soldering,Peak temperature: 260±5°C, 5s ;



Ordering Information

2245 - 2 XX M XX DUNR1



No. of single row	2-25P	26-40P
Profile	0.15	0.18

REV	DATE	MODIFICATION DESCRIPTION	CHANGE	OPERATION		DRAW	DATE	SCALE	FIT	PART NO.	TITLE:	Customer NO.
				Angle	DIM TOL							
A0	2020.03.19	NEW	Houfu Peng	x.x	±0.40	Houfu Peng	2020.03.19	UNIT	mm	2245-2XXMXXDUNR1	2.0mm Female Header, H=4.45mm,W=4.0mm, 180° SMT	
				x.xx	±0.25	CHECK	DATE	SIZE	A4			
				x.xxx	±0.15	APPROVE	DATE	SHEET	1/2			
								PROJ.				

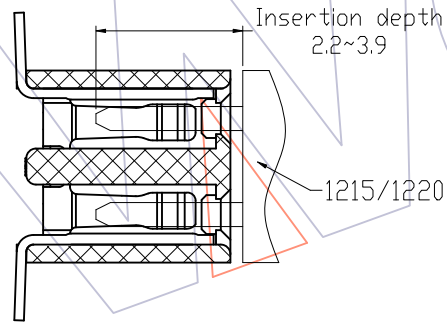
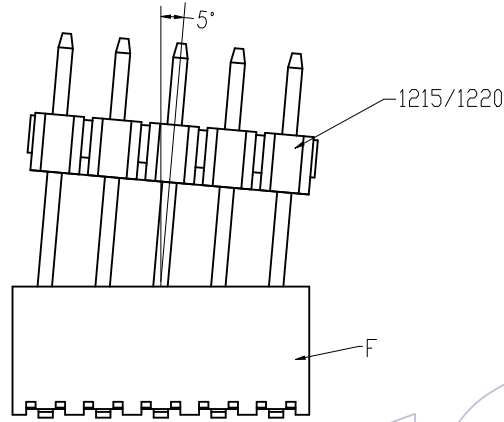
WCON

Http: www.wcon.com

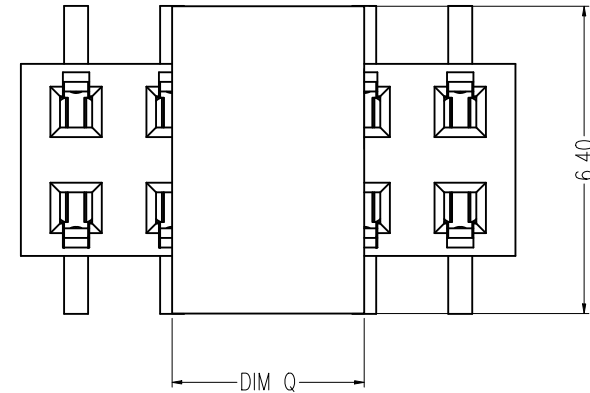
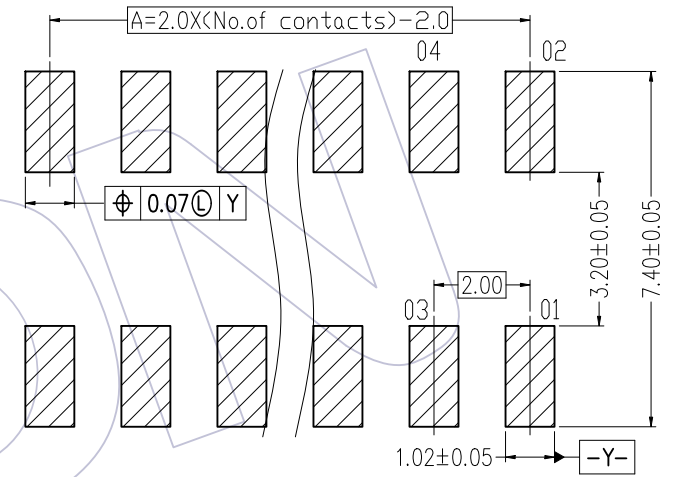
WCON-Dongguan Tel: +86 769 85358920
 WCON-Kunshan Tel: +86 512 57468408
 Fax: +86 769 85358915
 E-mail: sales@wcon.com
 Fax: +86 512 57468468
 E-mail: salesks@wcon.com

HSF

Allowed angular inclination tolerances, 5.0°



Recommended P.C.B Layout(Top Side)
(PCB BOARD TOLERANCE±0.05)



Item	Pitch	Mating
Standard	2.00	1215/1220
Alternate		

Dimensions of CAP		
PIN	≤10P	12~80P
DIM Q	4.2	8.0

REV	DATE	MODIFICATION DESCRIPTION	CHANGE	OPERATION		DRAW Houfu Peng	DATE 2020.03.19	SCALE	FIT	PART NO. 2245-2XXMXXDUNR1	TITLE: 2.0mm Female Header, H=4.45mm,W=4.0mm, 180° SMT	Customer NO.	WCON	
				x.x	±0.40								Http: www.wcon.com	
A0	2020.03.19	NEW	Houfu Peng	x.xx	±0.25	CHECK	DATE	UNIT	mm	WCON-Dongguan		Tel: +86 769 85358920	WCON-Kunshan	
				x.xxx	±0.15	APPROVE	DATE	SIZE	A4	Tel: +86 512 57468408		Fax: +86 769 85358915	Tel: +86 512 57468468	
				Angle	± 3°			SHEET	2/2	Fax: +86 512 57468468		E-mail: sales@wcon.com	E-mail: salesks@wcon.com	
				DIM	TOL			PROJ.						