

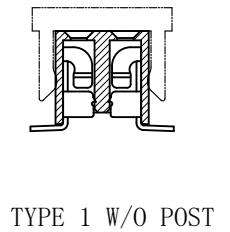
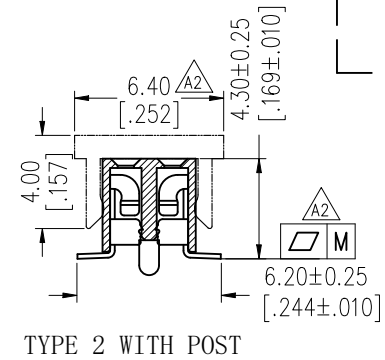
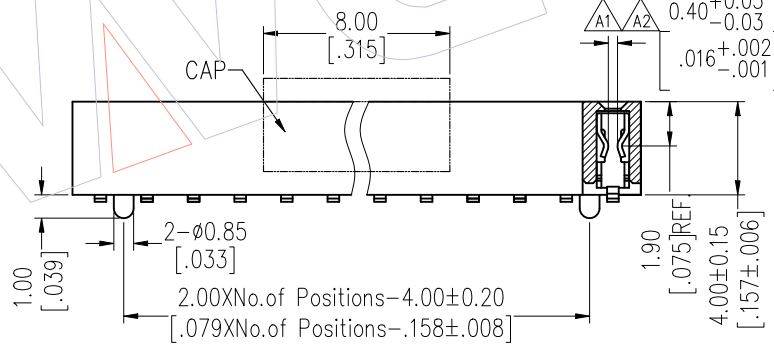
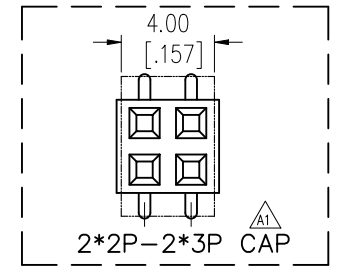
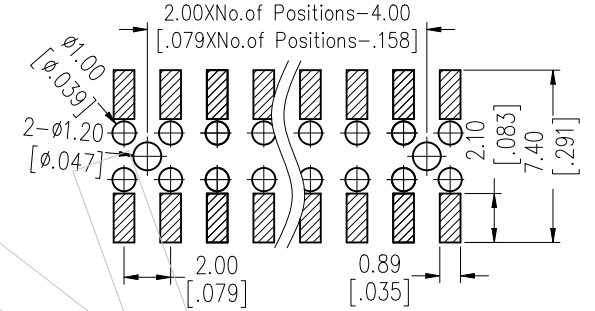
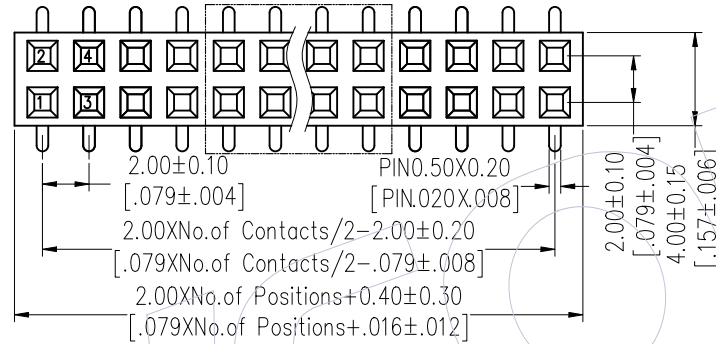
HSF

NOTES:

Current Rating: 2.0AMP
 Contact Resistance: 20mΩ Max
 Withstand Voltage: 500V AC
 Insulation Resistance: 1000MΩ Min
 Operation Temperature: -40°C to +125°C(Au)
 -40°C to +105°C(Sn)

Contact Material: Phosphor Bronze
 Contact plating: Au Or Sn over Ni
 Insulator Material: PA9T+33%GF UL94V-0

Recommended P.C.B Layout(Top Side)
 (PCB BOARD TOLERANCE±0.05)



Ordering Information

2240N - 2 XX M XX CUN X X

No. of Pins per ROW: 02-40PIN

Contact Plating:
 G0=Gold Flash
 G3=10μ"Gold
 G4=15μ"Gold
 G5=30μ"Gold
 S0=Gold Flash/Tin
 S3=10μ"Gold/Tin
 S4=15μ"Gold/Tin
 S5=30μ"Gold/Tin
 SN=Tin
 SM=Matte Tin

Packing:
 T=Tube
 P=Tube+CAP
 R=Tape&Reel+CAP

Series No.
 1=Type 1
 2=Type 2

Item	Pitch	Mating
Standard	2.00	1215/1220
Alternate		

Pin(Per Row)	2-15P	16-25P	26-40P
M	0.10	0.15	0.18

TITLE	PART NO.
TYPE 1	2240N-2XXMXXCUNX1
TYPE 2	2240N-2XXMXXCUNX2

REV	DATE	MODIFICATION DESCRIPTION	CHANGE	OPERATION	DRAW	DATE	SCALE	FIT	PART NO.
A2	2019/11/11	Modify Drawing	A2	x.x ±0.40	Surong Xu	2019/11/11	UNIT	mm	SEE TABLE
A1	2017/11/15	Modify P/N, Add 2*2P-2*3P CAP	A1	x.xx ±0.25	CHECK	DATE	SIZE	A4	TITLE:
A0	2012/07/13	NEW	-----	x.xxx ±0.15	APPROVE	DATE	SHEET	1/1	2.0mm Female Header DUAL ROW 180°SMT H=4.0 W=4.0
				Angle ± 3°			PROJ.		Customer NO.
				DIM TOL					

WCON
 Http: www.wcon.com

WCON-Dongguan
 Tel: +86 769 85358920
 Fax: +86 769 85358915
 E-mail: sales@wcon.com

WCON-Kunshan
 Tel: +86 512 57468408
 Fax: +86 512 57468468
 E-mail: salesks@wcon.com