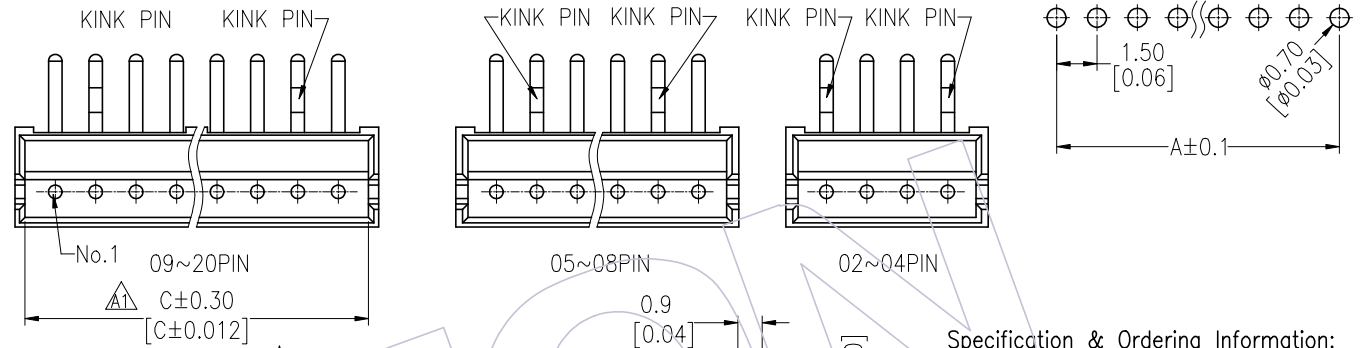


HSF

Recommended P.C.B Layout
(PCB BOARD TOLERANCE±0.05)

NOTES:
 Rated Current:1.0AMP
 Rated Voltage:50V AC/DC
 Contact Resistance:20mΩ max
 Withstand Voltage:500V AC/Minute
 Insulation Resistance:500MΩ min
 Operation Temperature:-25℃ to +85℃

Contact Material:Brass
 Contact plating:Au Or Sn Over Ni
 Insulator Material:PA66 UL94V-0



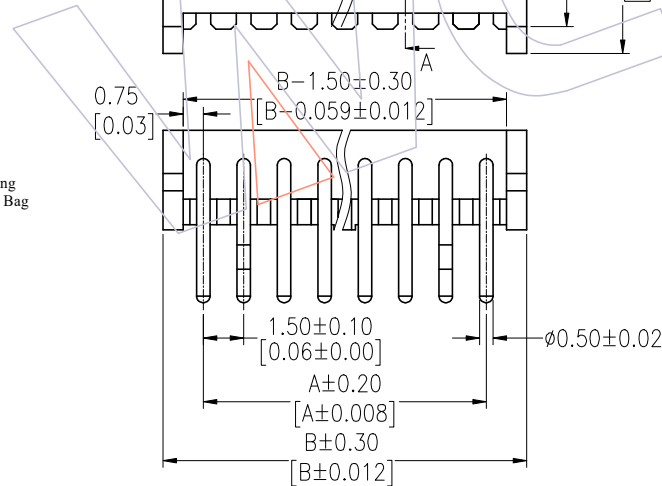
Specification & Ordering Information:

Circuit	Part No.	Dimension			Q'ty /Bag
		A	B	C	
02	WF1501-WR02X01	1.50	4.50	3.75	1,000
03	WF1501-WR03X01	3.00	6.00	5.25	1,000
04	WF1501-WR04X01	4.50	7.50	6.75	1,000
05	WF1501-WR05X01	6.00	9.00	8.25	1,000
06	WF1501-WR06X01	7.50	10.50	9.75	1,000
07	WF1501-WR07X01	9.00	12.00	11.25	1,000
08	WF1501-WR08X01	10.50	13.50	12.75	1,000
09	WF1501-WR09X01	12.00	15.00	14.25	1,000
10	WF1501-WR10X01	13.50	16.50	15.75	1,000
11	WF1501-WR11X01	15.00	18.00	17.25	1,000
12	WF1501-WR12X01	16.50	19.50	18.75	1,000
13	WF1501-WR13X01	18.00	21.00	20.25	1,000
14	WF1501-WR14X01	19.50	22.50	20.75	1,000
15	WF1501-WR15X01	21.00	24.00	23.25	1,000
16	WF1501-WR16X01	22.50	25.50	24.75	1,000
17	WF1501-WR17X01	24.00	27.00	26.25	1,000
18	WF1501-WR18X01	25.50	28.50	27.75	1,000
19	WF1501-WR19X01	27.00	30.00	29.25	1,000
20	WF1501-WR20X01	28.50	31.50	30.75	1,000

Ordering Information

WF1501 - WR XX X 0 1

No. of pins: 02~20P
 Contact Plating: S0=Gold Flash/Tin, S3=10u"Gold/Tin, S4=15u"Gold/Tin, S5=30u"Gold/Tin, G0=Gold Flash, G3=10u"Gold, G4=15u"Gold, G5=30u"Gold, Blank=Tin
 Color: B=Black, E=Beige, W=White
 Packing: 0=PE Bag



REV	DATE	MODIFICATION DESCRIPTION	CHANGE	OPERATION	DRAW	DATE	SCALE	FIT	PART NO.
				x.X ±0.40	DuYing	2022/06/24	UNIT	mm	WF1501-WRXXX01
A1	2022/06/24	Modify C Dimension	DuYing	x.XX ±0.25	CHECK	DATE	SIZE	A4	TITLE: ZH 1.50 WAFER 90°DIP KINK PIN
AO	2012/08/24	NEW	JYHuang	x.XXX ±0.15	APPROVE	DATE	SHEET	1/1	Customer NO.
				Angle ± 3'			PROJ.		
				DIM TOL					

WCON

Http: www.wcon.com

WCON-Dongguan Tel: +86 769 85358920 Fax: +86 769 85358915 E-mail: sales@wcon.com
 WCON-Kunshan Tel: +86 512 57468408 Fax: +86 512 57468468 E-mail: salesks@wcon.com