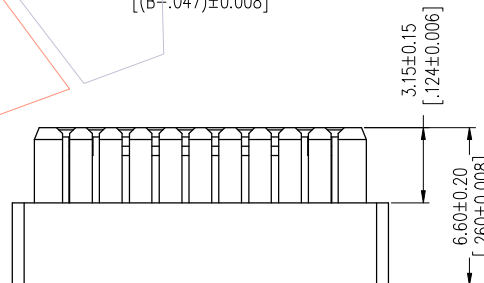
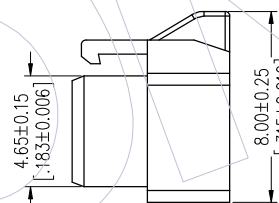
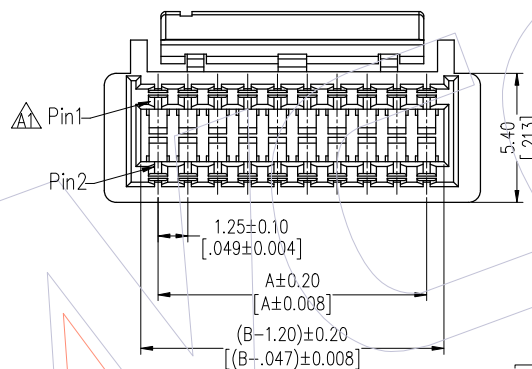
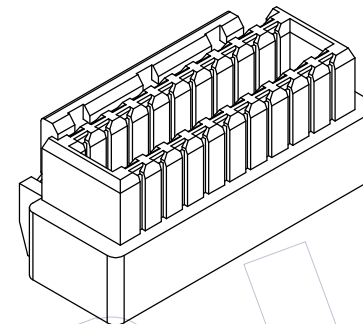
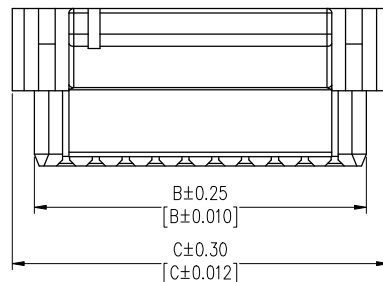


HSF

NOTES:

Current Rating: 1.0AMP(AWG#26)
 Contact Resistance: 30mΩ Max
 Withstand Voltage: 500V AC/Minute
 Insulation Resistance: 100MΩ Min
 Operation Temperature: -25℃ to +85℃

Housing Material: PBT White UL94V-0



Ordering Information

WF1256 - 2H XX W 01

No. of Pins:
2*5~2*20P

Color:
W=White

Pins	DIM		
	A	B	C
2*05	5.00	7.65	9.50
2*06	6.25	8.90	10.75
2*07	7.50	10.15	12.00
2*08	8.75	11.40	13.25
2*09	10.00	12.65	14.50
2*10	11.25	13.90	15.75
2*11	12.50	15.15	17.00
2*12	13.75	16.40	18.25
2*13	15.00	17.65	19.50
2*14	16.25	18.90	20.75
2*15	17.50	20.15	22.00
2*16	18.75	21.40	23.25
2*17	20.00	22.65	24.50
2*18	21.25	23.90	25.75
2*19	22.50	25.15	27.00
2*20	23.75	26.40	28.25

REV	DATE	MODIFICATION DESCRIPTION	CHANGE	OPERATION	DRAW	DATE	SCALE	1:1	PART NO.
				X.X ±0.40	ZHLL	2020.11.23	UNIT	mm	WF1256-2HXXW01
A1	2022.02.22	Add PIN1/PIN2 Mark	ZHLL	X.XX ±0.25	CHECK	DATE	SIZE	inch	
A0	2020.11.23	NEW	-	X.XXX ±0.15	APPROVE	DATE	SHEET	A4	TITLE:
				Angle ± 3°			PROJ.	1/1	1.25mm Pitch Wafer Housing Dual Row
				DIM TOL					Customer NO.

WCON

Http: www.wcon.com

WCON-Dongguan
 Tel: +86 769 85358920
 Fax: +86 769 85358915
 E-mail: sales@wcon.com

WCON-Kunshan
 Tel: +86 512 57468408
 Fax: +86 512 57468468
 E-mail: salesks@wcon.com