

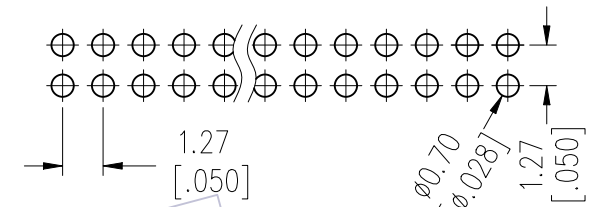
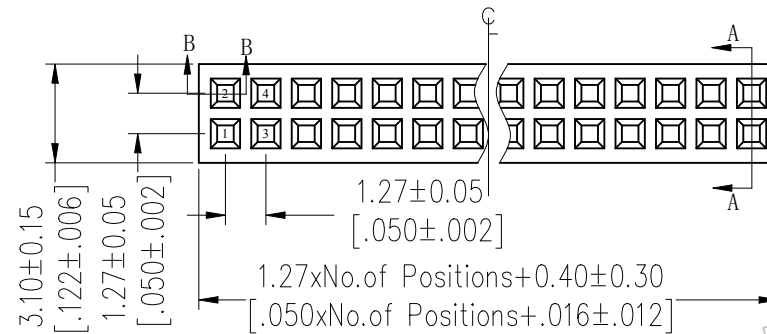
HSF

NOTES:

Current Rating: 1.0AMP
 Contact Resistance: 20mΩ Max
 Withstand Voltage: 500V AC/DC
 Insulation Resistance: 1000MΩ Min
 Operation Temperature: -40°C to +105°C

Contact Material: Phosphor Bronze
 Contact plating: Au Or Sn over Ni
 Insulator Material: PA9T+33%G.F UL94V-0

Recommended P.C.B Layout(Top Side)
 (PCB BOARD TOLERANCE±0.05)



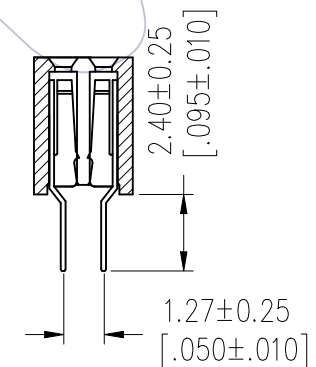
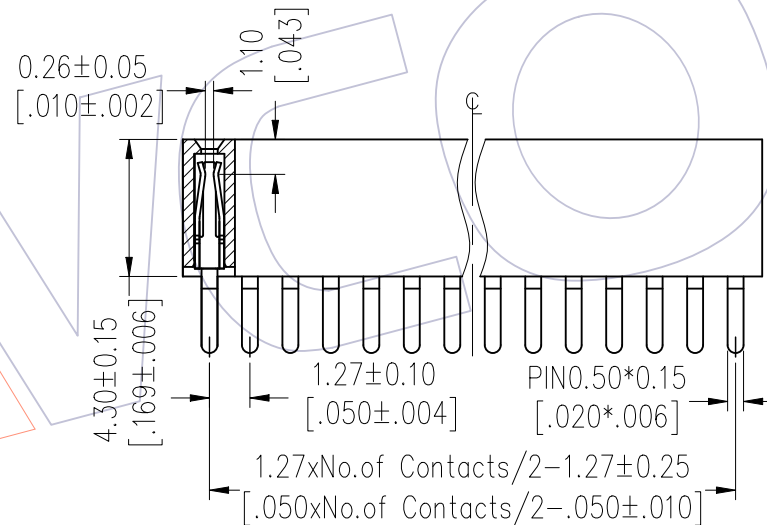
Ordering Information

2344-2 XX S XX CUN T 1

No. of Pins per Row: 02-50Pin

Contact Plating:
 G0=Gold Flash
 G3=10μ"Gold
 G4=15μ"Gold
 G5=30μ"Gold
 S0=Gold Flash/Tin
 S3=10μ"Gold/Tin
 S4=15μ"Gold/Tin
 S5=30μ"Gold/Tin
 SN=Tin

Packing:
 T=Tube
 P=Tube+CAP
 A=Tray(2 PIN)



SECTION A-A

SECTION B-B

Item	Pitch	Mating
Standard	1.27	1310/1315/1320/3131/3133/3100
Alternate		

OPERATION	DRAW	DATE	SCALE	FIT	PART NO.
X.X ±0.40	JYHuang	2012/07/09	UNIT	mm	2344-2XXSXXCUNT1
X.XX ±0.25	CHECK	DATE	SIZE	A4	TITLE: FH1. 27mm DUAL ROW 180° DIP H=4.30
X.XXX ±0.15	APPROVE	DATE	SHEET	1/1	Customer NO.
Angle ± 3'			PROJ.		
DIM TOL					

WCON
 Http: www.wcon.com

WCON-Dongguan WCON-Kunshan
 Tel: +86 769 85358920 Tel: +86 512 57468408
 Fax: +86 769 85358915 Fax: +86 512 57468468
 E-mail: sales@wcon.com E-mail: salesks@wcon.com