

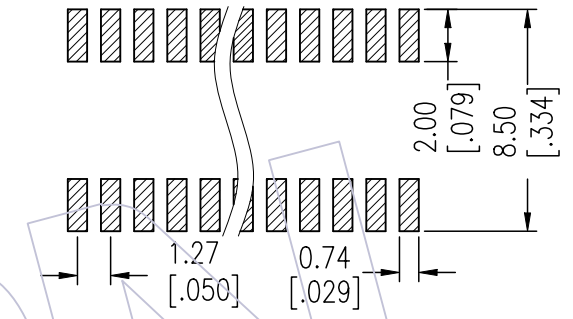
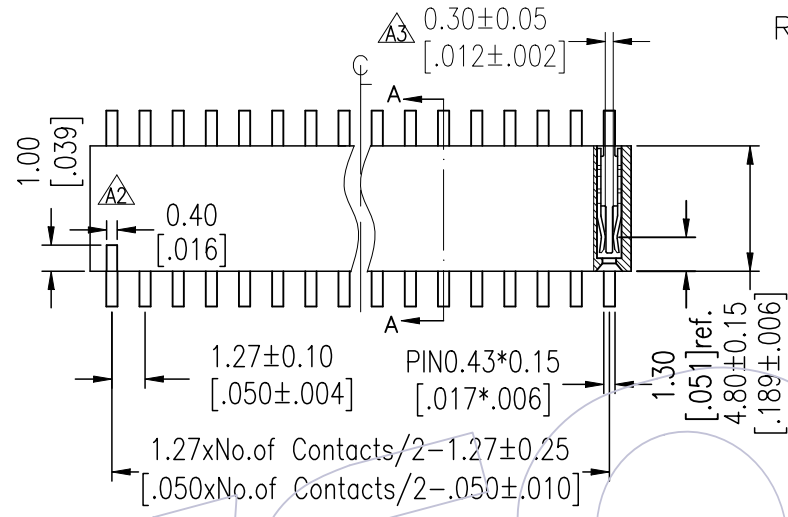
# HSF

**NOTES:**

Current Rating: 1.0AMP  
 Contact Resistance: 20mΩ Max  
 Withstand Voltage: 500V AC  
 Insulation Resistance: 1000MΩ Min  
 Operation Temperature: -40°C to +105°C

Contact Material: Phosphor Bronze  
 Contact plating: Au or Sn over Ni  
 Insulator Material: PA9T+33%GF UL94V-0

Recommended P.C.B Layout(Top Side)  
 (PCB BOARD TOLERANCE ±0.05)



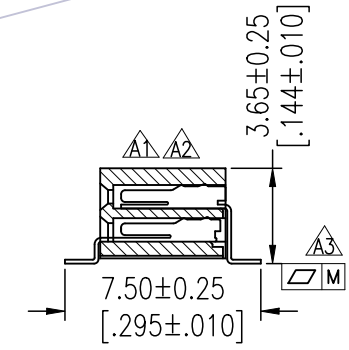
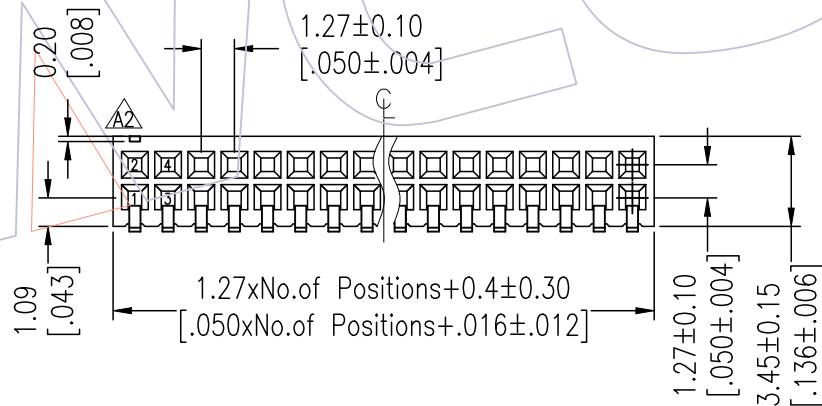
## Ordering Information

2335-2 XX M XX CUN X 1

No. of Pins per Row: 02-50Pin

Contact Plating:  
 G0=Gold Flash  
 G3=10μ"Gold  
 G4=15μ"Gold  
 G5=30μ"Gold  
 S0=Gold Flash/Tin  
 S3=10μ"Gold/Tin  
 S4=15μ"Gold/Tin  
 S5=30μ"Gold/Tin  
 SN=Tin

Packing:  
 T=Tube  
 R=Tape&Reel



SECTION A-A

Item	Pitch	Mating
Standard	1.27	1310/1315/1320
Alternate		

Pin(Per Row)	2-15P	16-30P	31-50P
M	0.10	0.15	0.20

REV	DATE	MODIFICATION DESCRIPTION	CHANGE	ANGLE	± 3'	APPROVE	DATE	SCALE	FIT	PART NO.
A3	2023/02/03	ADD Flatness		XSR	OPERATION	DRAW	DATE	SCALE	FIT	2335-2XXMXXCUNX1
A2	2017/04/19	Cancel Mylar, Modify plastic		-----	X.X ±0.40	XSR	2023/02/03	UNIT	mm	TITLE:
A1	2014/08/08	Modify Mylar	-----	-----	X.XX ±0.25	CHECK	DATE	SIZE	A4	1.27mm Female Header DUAL
A0	2012/07/07	NEW	-----	-----	X.XXX ±0.15	APPROVE	DATE	SHEET	1/1	SIDE INSERT SMT H=3.45
					Angle ± 3'			PROJ.		Customer NO.

**WCON**  
 Http: www.wcon.com  
 WCON-Dongguan Tel: +86 769 85358920  
 WCON-Kunshan Tel: +86 512 57468408  
 Fax: +86 769 85358915  
 Fax: +86 512 57468468  
 E-mail: sales@wcon.com  
 E-mail: salesks@wcon.com