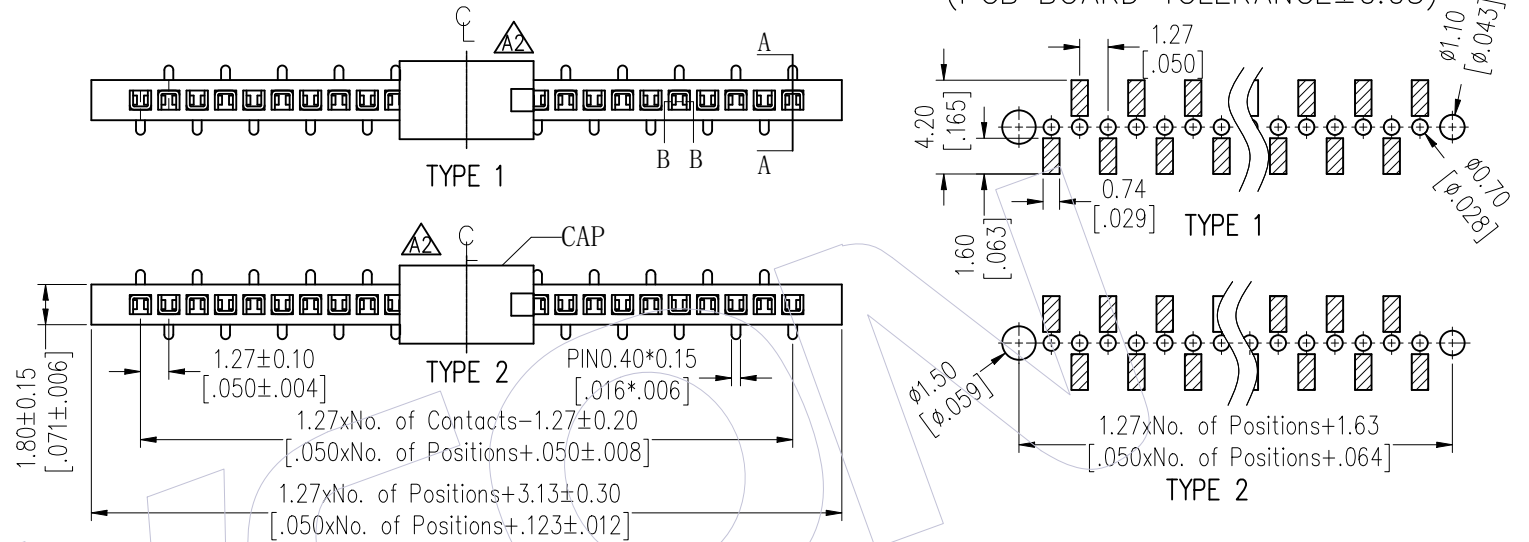


# HSF

NOTES:  
 Current Rating: 1.0AMP  
 Contact Resistance: 20mΩ Max  
 Withstand Voltage: 500V AC  
 Insulation Resistance: 1000MΩ Min  
 Operation Temperature: -40°C to +125°C(Au)

Contact Material: Phosphor Bronze  
 Contact plating: Au over Ni  
 Insulator Material: PA9T+33%GF UL94V-0

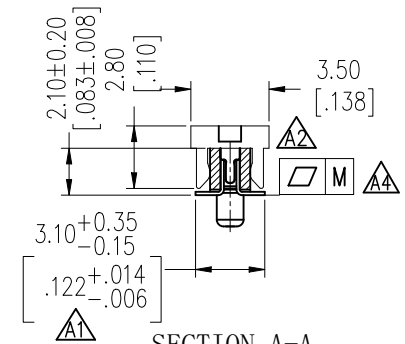
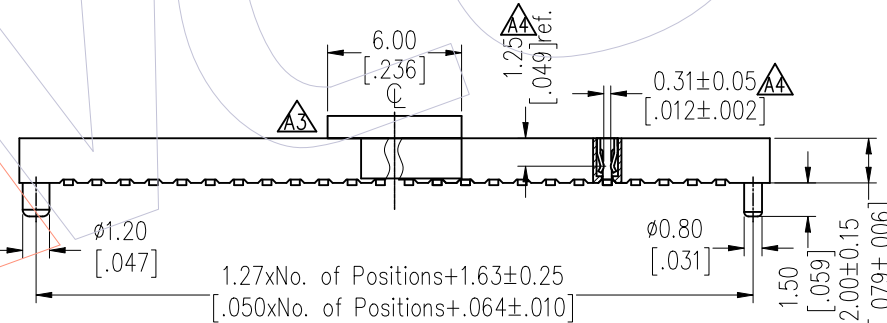
Recommended P.C.B Layout(Top Side)  
 (PCB BOARD TOLERANCE ±0.05)



## Ordering Information

2320T - 1 XX M XX CUN X X

**A4** No. of Pins per ROW: 02-40PIN  
**A3** Contact Plating: G0=Gold Flash, G3=10μ"Gold, G4=15μ"Gold, G5=30μ"Gold  
**A5** Packing: T=Tube, R=Tape&Reel+CAP, P=Tube+CAP  
**A6** Series No. 1=TYPE 1, 2=TYPE 2



Item	Pitch	Mating
Standard	1.27	1310/1315/1320
Alternate		

		<b>A4</b> <b>A5</b>		TITLE	PART NO.	SPEC. <b>A4</b>
Pin(Per Row)	2-15P	16-30P	31-40P	TYPE 1	2320T-1XXMXXCUNX1	DUAL/ODD PINS
M	0.10	0.15	0.18	TYPE 2	2320T-1XXMXXCUNX2	DUAL PINS

A5	2023/02/03	Modify Flatness	XSR	OPERATION	DRAW	DATE	SCALE	FIT	PART NO.
A4	2020/06/24	Add DIM.&Table;Modify 02~50PIN to 02~40PIN	XSR	x.x ±0.40	XSR	2023/02/03	UNIT	mm	SEE TABLE
A3	2017/04/14	MODIFY CAP	XSR	x.xx ±0.25	CHECK	DATE	SIZE	A4	TITLE:
A0	2012/07/05	NEW	-----	x.xxx ±0.15	APPROVE	DATE	SHEET	1/1	1.27mm Female Header Single Row SMT H=2.0 With different post
REV	DATE	MODIFICATION DESCRIPTION	CHANGE	Angle ± 3°	APPROVE	DATE	PROJ.	Customer NO.	
				DIM TOL					

# WCON

Http: www.wcon.com

WCON-Dongguan Tel: +86 769 85358920 Fax: +86 769 85358915 E-mail: sales@wcon.com  
 WCON-Kunshan Tel: +86 512 57468408 Fax: +86 512 57468468 E-mail: salesks@wcon.com