

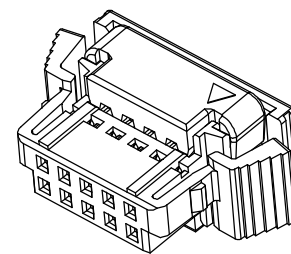
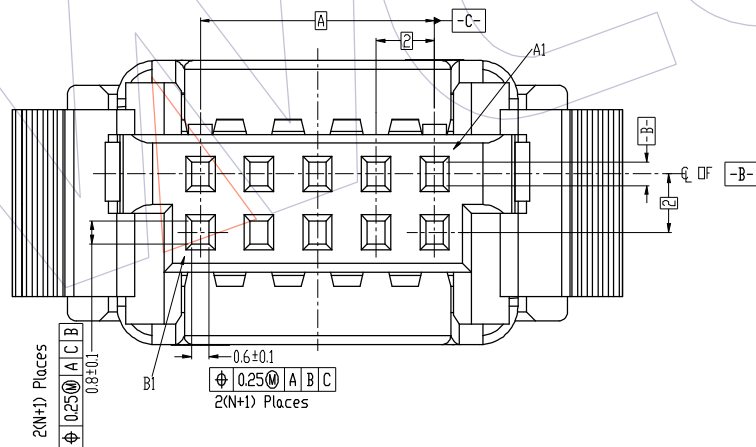
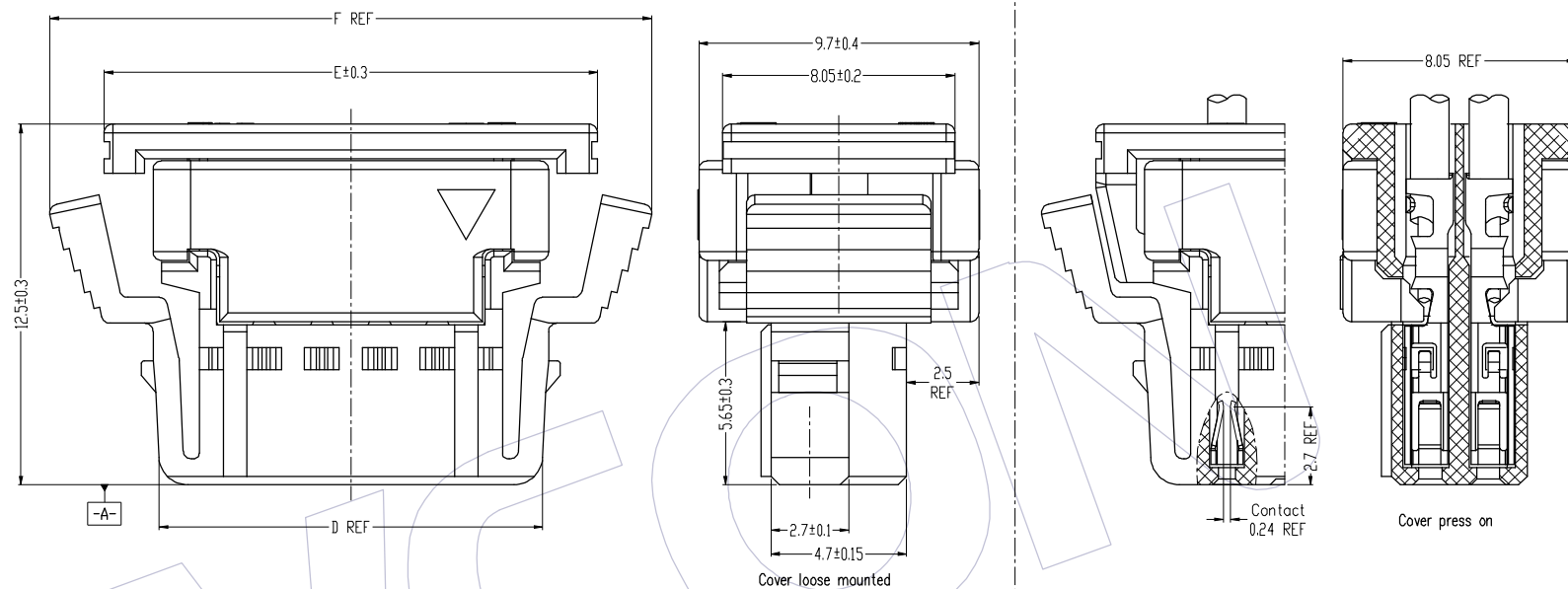
HSF

- NOTES:
 1. Operating Temperature: -40°C to +125°C;
 2. Withstand Voltage: 1600V AC;
 3. Insulation Resistance: 1000MΩ Min ;
 4. Insulator Material: PA66;

Ordering Information

3918-S XX - 2 C 00 G B X A 1

- S=Socket
- No. of Pins:
 - 12=12P; 20=20P;
 - 24=24P; 26=26P;
 - 34=34P;
- 2=Dual Row
- C=Crimp
- 00=WITHOUT Terminal
- G=WITH COVER
- B=PA66
- Color:
 - T=Natural
 - B=Black
- A=TRAY
- WCON internal code



PIN	A	D	E	F
12	10.0	15.29	19.1	22.85
20	18.0	23.29	27.1	30.85
24	22.0	27.29	31.1	34.85
26	24.0	29.29	33.1	36.85
34	32.0	37.29	41.1	44.85

REV	DATE	MODIFICATION DESCRIPTION	CHANGE	OPERATION		DRAW	DATE	SCALE	FIT	PART NO.	TITLE:	WCON	
				Angle	TOL							Http: www.wcon.com	
A0	2022. 03. 02	NEW		x.x	±0.40	Houfu Peng	2022. 03. 02	UNIT	mm	3918-SXX-2C00GBXA1	2.0mm BSC Series	WCON-Dongguan	WCON-Kunshan
				x.xx	±0.25	CHECK	DATE	SIZE	A4		Dual Row Socket	Tel: +86 769 85358920	Tel: +86 512 57468408
				x.xxx	±0.15	APPROVE	DATE	SHEET	1/1		Customer NO.	Fax: +86 769 85358915	Fax: +86 512 57468468
								PROJ.	⌀			E-mail: sales@wcon.com	E-mail: salesks@wcon.com