

# HSF

**NOTES:**

- 1.Current Rating:8.0A Max AT 20°C(1 PIN);
- 2.Contact Resistance: 20mΩ Max;
- 3.Withstand Voltage: 1600V AC;
- 4.Insulation Resistance: 1000MΩ Min;
- 5.Operating Temperature: -40°C to +125°C;
- 6.Insulator Material: LCP,G.F,UL94V-0, NATURAL & BK;
- 7.Contact Material: Copper Alloy;
- 8.Contact plating:  
SM: 100μ" Matte TIN Over 50μ" Nickel;  
WX: xxμ" Gold on contact area (See ordering information),  
100μ" Matte TIN on solder area,  
50μ" Nickel underplating overall;
- 9.Recommended process:  
IR soldering,Peak temperature:260±5°C, 5s ;

## Ordering Information

3918-P XX-2 Z XX W D X R 1

P=Plug

No.of Pins:

- 12=12P; 20=20P;
- 24=24P; 26=26P;
- 34=34P;

2=Dual Row

Z=R/A SMT

Contact Plating:

- SM=Matte Sn
- W0=Gold FLASH/Matte Tin
- W3=10μ" Gold/Matte Tin
- W5=30μ" Gold/Matte Tin

W=WITH GUIDE PIN AND FIXATOR

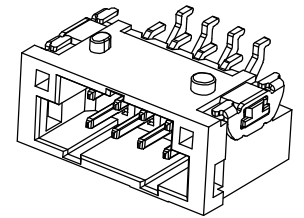
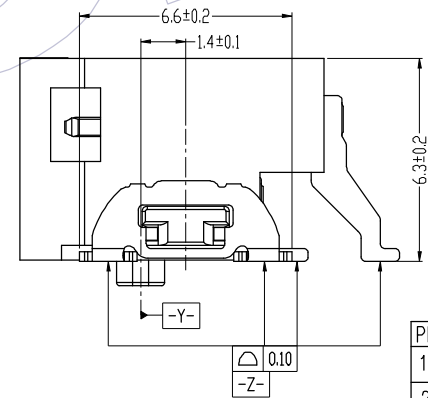
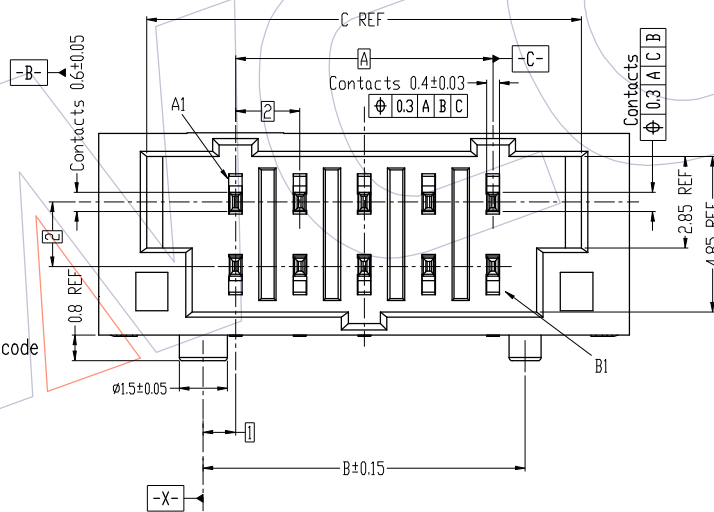
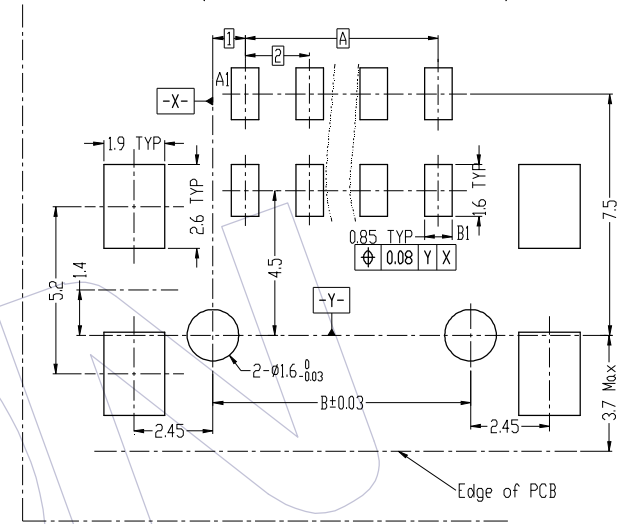
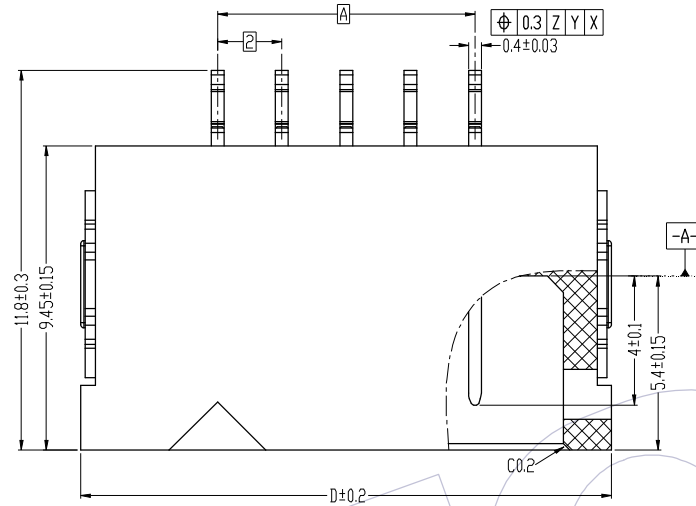
D=LCP

WCON internal code

R=Reel

Color:  
T=Natural  
B=Black

Recommended P.C.B Layout(Top Side)  
(PCB BOARD TOLERANCE±0.05)



PIN	A	B	C	D
12	10.0	12.0	15.5	18.5
20	18.0	20.0	23.5	26.5
24	22.0	24.0	27.5	30.5
26	24.0	26.0	29.5	32.5
34	32.0	34.0	37.5	40.5

REV	DATE	MODIFICATION DESCRIPTION	CHANGE	OPERATION		DRAW	DATE	SCALE	FIT	PART NO.
				DIM	TOL					
				x.x	±0.40	Houfu Peng	2022. 04. 01	UNIT	mm	3918-PXX-2ZXXWDXR1
				x.xx	±0.25	CHECK	DATE	SIZE	A4	
				x.xxx	±0.15	APPROVE	DATE	SHEET	1/1	TITLE: 2.0mm BSC Series Dual Row Male 90° SMT Type
A0	2022. 04. 01	NEW		Angle	± 3'			PROJ.	⌀	Customer NO.

# WCON

Http: www.wcon.com

WCON-Dongguan Tel: +86 769 85358920 Fax: +86 769 85358915 E-mail: sales@wcon.com	WCON-Kunshan Tel: +86 512 57468408 Fax: +86 512 57468468 E-mail: sales@wcon.com
---	--