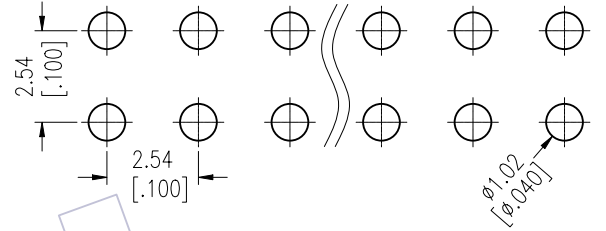
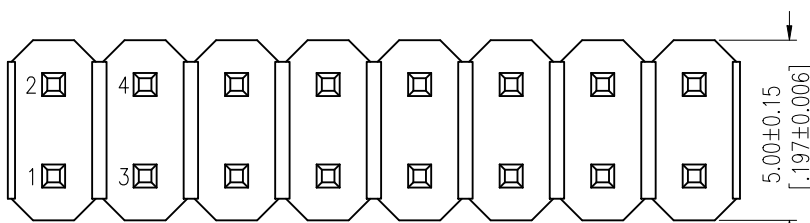


HSF

NOTES:
 Rated Current:3.0AMP.
 Contact Resistance:20mΩ Max.
 Withstand Voltage:1000V AC/DC
 Insulation Resistance:1000MΩ Min.
 Operation Temperature:-40°C to +105°C

Contact Material:Brass
 Contact Plating:Au or Sn Over Ni
 Insulator Material:PA9T+33%G.F UL94V-0 BK

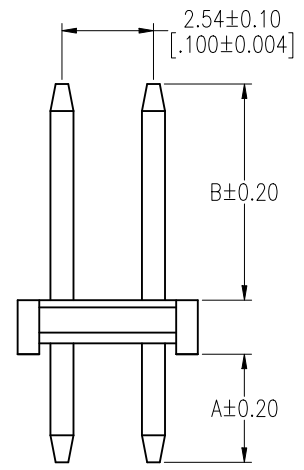
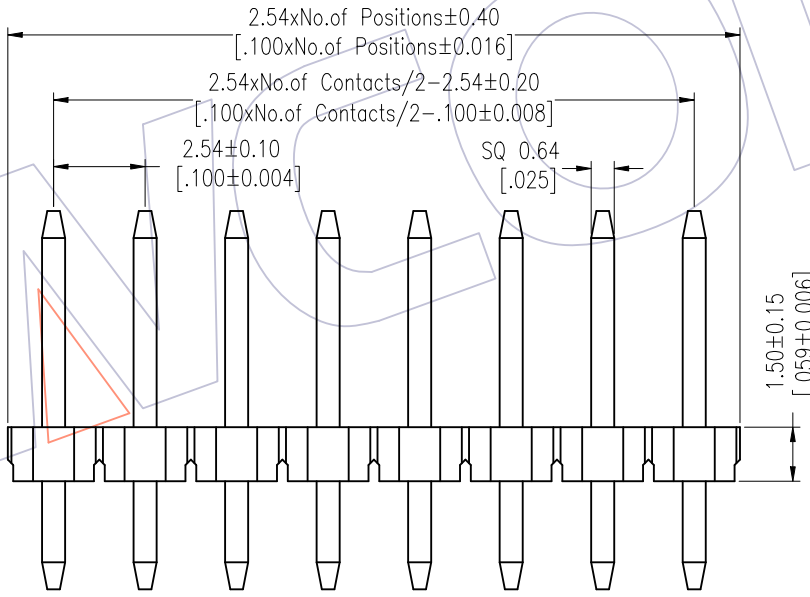
Recommended P.C.B Layout (Top Side)
 (PCB BOARD TOLERANCE±0.05)



Ordering Information

1115-12 XX XX S XXX C 0 XX

- No. of Pins Per Row: 02-40
- Contact Plating: G0=Gold Flash, G3=10u"Gold, G4=15u"Gold, G5=30u"Gold, S0=Gold Flash/Tin, S3=10u"Gold/Tin, S4=15u"Gold/Tin, S5=30u"Gold/Tin, SN=Tin, SM=Matte Tin
- Pin Length L=A+B+1.5 Standard: 105=10.5
- Insulator Material C=PA9T
- Packing 0=PE Bag, T=Tube
- Series No. 01-99



Item	Pin Length	A	B	Mating
Standard	10.50	3.00	6.00	2171 2185
Alternate				

OPERATION	DRAW	DATE	SCALE	Fit	PART NO.
x.x ±0.40	Ruipeng	2018/01/22	UNIT mm		1115-12XXXXXXC0XX
x.xx ±0.25	CHECK	DATE	SIZE A4		TITLE: PH2.54 DUAL ROW 180° H=1.5
x.xxx ±0.15	APPROVE	DATE	SHEET 1/1		Customer NO.
Angle ± 3'			PROJ.		
DIM TOL					

WCON
 Http: www.wcon.com
 WCON-Dongguan Tel: +86 769 85358920 Fax: +86 769 85358915 E-mail: sales@wcon.com
 WCON-Kunshan Tel: +86 512 57468408 Fax: +86 512 57468468 E-mail: salesks@wcon.com

REV	DATE	MODIFICATION DESCRIPTION	CHANGE
A1	2018/01/22	Modify P/N	
A0	2012/05/02	NEW	-----