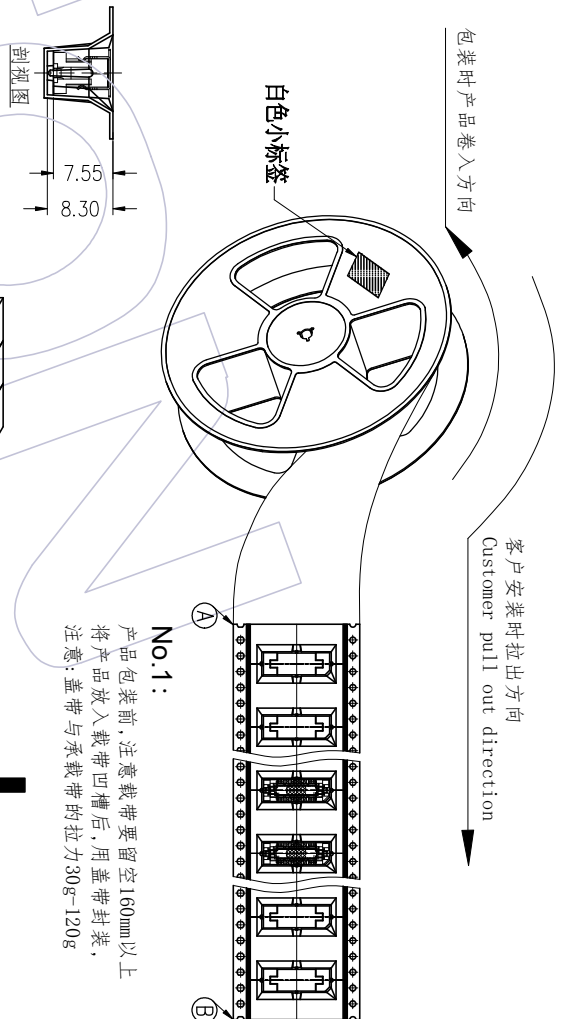
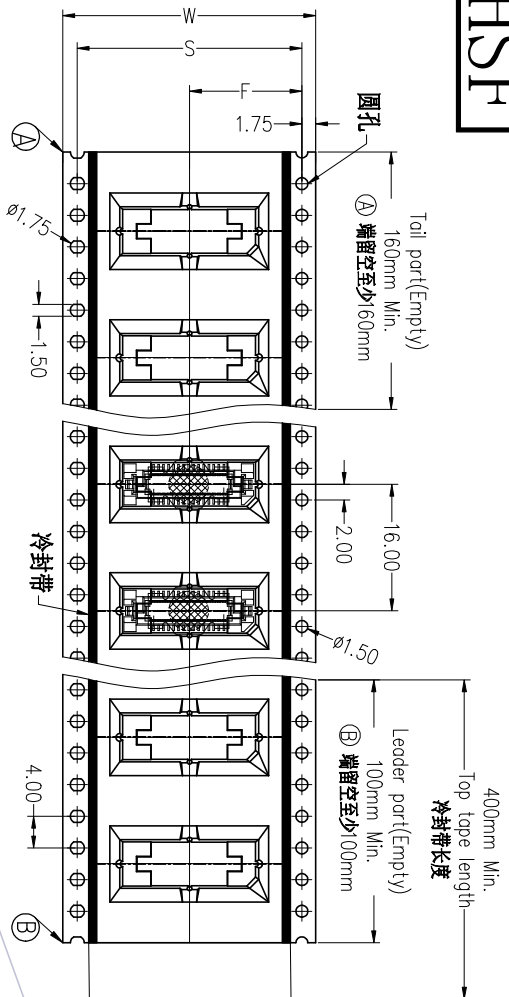
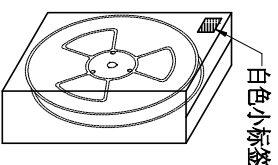
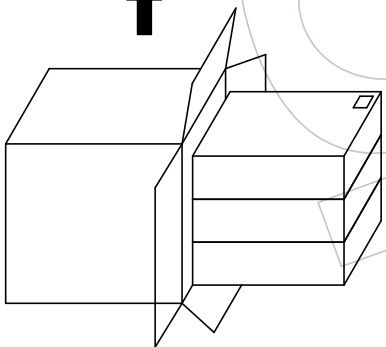
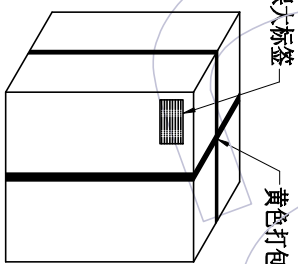


HSHF



PN	载带料号	W	S	F	PCS/Reel	PCS/内箱	PCS/外箱
20P	TR3660-20M3202	32.0±0.30	28.40±0.10	14.20±0.15	450	900	2760
30P	TR3660-MN030M07801	32.0±0.30	28.40±0.10	14.20±0.15	450	900	2760
40P	TR3660-40M4403	44.0±0.30	40.40±0.10	20.20±0.15	450	900	2760
50P	TR3660-MN050M07801	44.0±0.30	40.40±0.10	20.20±0.15	450	900	2700
60P	TR3660-MN060M07801	44.0±0.30	40.40±0.10	20.20±0.15	450	900	2700
70P	TR3660-MN070M07801	56.0±0.30	52.40±0.10	26.20±0.15	450	450	1350
80P	TR3660-MN080M07801	56.0±0.30	52.40±0.10	26.20±0.15	450	450	1350
90P	TR3660-MN090M07801	56.0±0.30	52.40±0.10	26.20±0.15	450	450	1350
100P	TR3660-MN100M07801	56.0±0.30	52.40±0.10	26.20±0.15	450	450	1350
110P	TR3660-MN110M07801	56.0±0.30	52.40±0.10	26.20±0.15	450	450	1350
120P	TR3660-MN120M07801	72.0±0.30	68.40±0.10	32.20±0.10	450	450	1350
130P	TR3660-MN130M07801	72.0±0.30	68.40±0.10	32.20±0.10	450	450	1350
140P	TR3660-MN140M07801	72.0±0.30	68.40±0.10	32.20±0.10	450	450	1350
150P	TR3660-MN150M07801	72.0±0.30	68.40±0.10	32.20±0.10	450	450	1350
160P	TR3660-MN160M07801	88.0±0.30	84.40±0.10	42.20±0.10	450	450	1350



No.4:
封箱, 打包, 贴标签。

No.3:
将内箱装入外箱 (3内箱/外箱)
注意统一标签方向

No.2:
将卷盘套上PE-32防水袋,
放入1包干燥剂,
真空机封口后装入内箱,
用封箱胶封装好, 并贴上标签。

变更记事	变更日期	变更说明	变更人	变更日期	变更说明	变更人
REV	DATE	MODIFICATION DESCRIPTION	CHANGE	DATE	DESCRIPTION	APPROVE
A0	2020/11/20	NEW				

ENGINEERING		DRAW		SCALE		FIT	
XX	±0.20	设计	DESIGN	UNIT	mm	SHEET	1/1
XXX	±0.20	审核	CHECK	SIZE	A4	PROJ.	
XXX	±0.10	核准	CHECK				
Angle	± 2°	核准	CHECK				
DIM	TOL	核准	CHECK				

WCON ELECTRONICS (GUANGDONG) CO., LTD		品名		料号	
WCON		TITLE:		PART NO.	
3660-PXXX-070XXR01		0.635mm B TO B Plug Series SMT TYPE		带柱加金属盖, H=7.0 脚宽5.0 卷装规范	