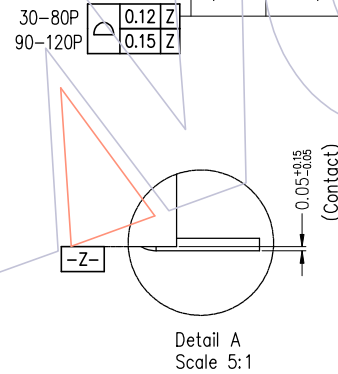
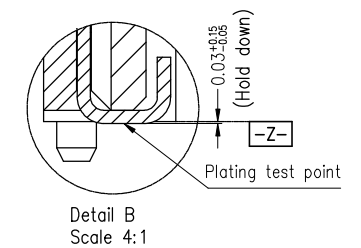
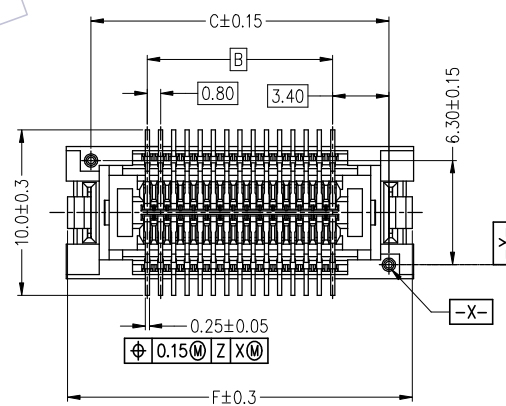
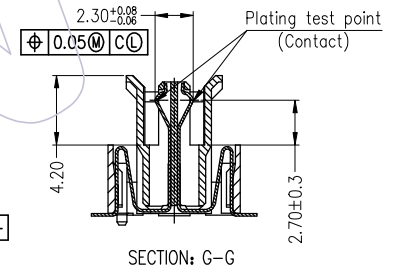
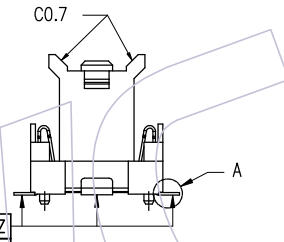
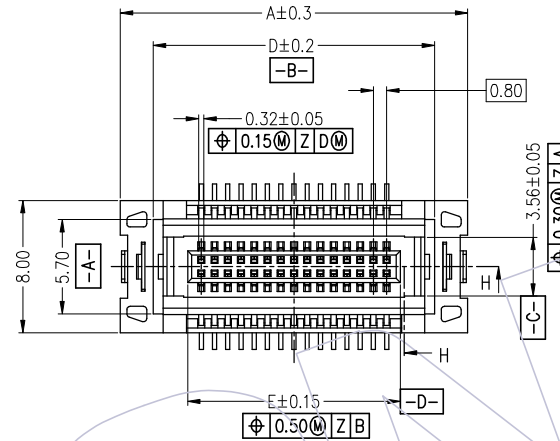
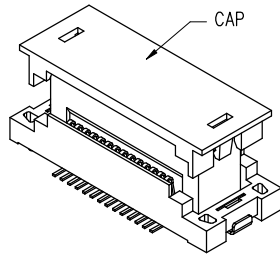


HSF

Notes:
 Current rating: 0.5AMP
 Oltage rating: 50V
 Contact resistance: 100mΩ max
 Withstand voltage: 250V AC
 Insulation resistance: 500MΩ min
 Operation temperature: -40℃ to +105℃
 Contact material: copper alloy (t0.15)
 Contact plating:
 xu" gold on contact area (see ordering information)
 3u" gold on solder area (ASTM B 488)
 80u" nickel underplating overall (ASTM B 733)
 Hold-down material: copper alloy
 Hold-down plating:
 80u" tin plating over all the pins.
 40u" nickel underplating overall. (ASTM B 733)
 Housing material: grass filled plastics; Black UL94V-0
 Cap material: grass filled plastics; White UL94V-0
 IR soldering, Peak temperature: 260±5℃, 5s ;



Ordering Information

3618-S XXX-084 M XX R 01

No. of pins:
 030=30pin
 120=120pin
 (See table 1)

W/N post:
 01=With post
 02=Without post

Packing:
 R=Tape&Reel+Cap

Housing height:
 049=4.95mm
 084=8.45mm

Contact plating:
 G1=3u" Gold
 G2=5u" Gold
 G3=10u" Gold
 G4=15u" Gold
 G5=30u" Gold

				Operation	Draw	Date	Scale	FIT	Part No.
				x.x ±0.40	XIAOBING YE	2022/09/24	Unit	mm	3618-SXXX-084MXXR01
				x.xx ±0.35	Check	Date	Size	A4	Title:
				x.xxx ±0.15	Approve	Date	Sheet	1/4	0.8mm BTB Female header
A0	2022/09/24	new	-----	Angle ± 3°			PROJ.	1/4	SMT type H=8.45mm With post
Rev	Date	Modfication scription	Change	DIM TOL					Customer No.

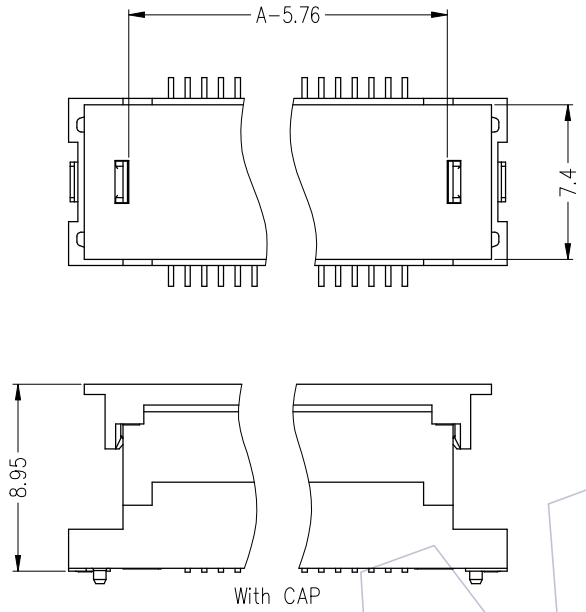


Http: www.wcon.com

WCON-Dongguan
 Tel: +86 769 85358920
 Fax: +86 769 85358915
 E-mail: sales@wcon.com

WCON-Kunshan
 Tel: +86 512 57468408
 Fax: +86 512 57468468
 E-mail: salesks@wcon.com

HSF



Recommended P.C.B layout(Top side)
(PCB board tolerance±0.05)

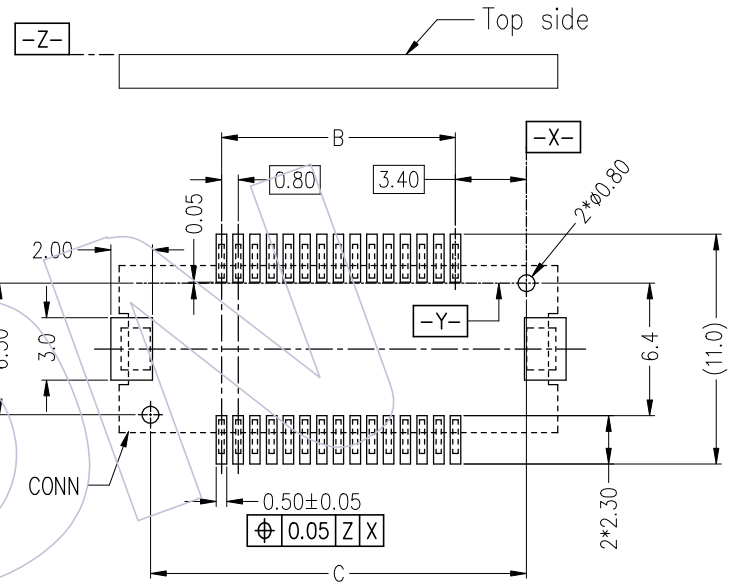


Table 1:

No.of pins:	A	B	C	D	E	F
30	21.0	11.2	18.0	15.8	12.8	20.8
40	25.0	15.2	22.0	19.8	16.8	24.8
50	29.0	19.2	26.0	23.8	20.8	28.8
60	33.0	23.2	30.0	27.8	24.8	32.8
70	37.0	27.2	34.0	31.8	28.8	36.8
80	41.0	31.2	38.0	35.8	32.8	40.8
90	45.0	35.2	42.0	39.8	36.8	44.8
100	49.0	39.2	46.0	43.8	40.8	48.8
110	53.0	43.2	50.0	47.8	44.8	52.8
120	57.0	47.2	54.0	51.8	48.8	56.8

Rev	Date	Modification scription	Change	Operation		Draw XIAOBING YE	Date 2022/09/24	Scale	FIT	Part No. 3618-SXXX-084MXXR01
				x.x	±0.40			Unit	mm	
				x.xx	±0.35			Size	A4	
				x.xxx	±0.15			Sheet	2/4	
				Angle	± 3°	Approve	Date	PROJ.	Customer No.	
				DIM	TOL					

WCON

Http: www.wcon.com

WCON-Dongguan
Tel: +86 769 85358920
Fax: +86 769 85358915
E-mail: sales@wcon.com

WCON-Kunshan
Tel: +86 512 57468408
Fax: +86 512 57468468
E-mail: salesks@wcon.com