

HSF

NOTES:
 Rated Current:1.0AMP.
 Contact Resistance:20mΩ Max.
 Withstand Voltage:500V AC/DC
 Insulation Resistance:1000MΩ Min.
 Operation Temperature:-40°C to +105°C

Contact Material:Brass
 Contact Plating:Au or Sn Over Ni
 Insulator Material:PA9T+33%G.F UL94V-0 BK

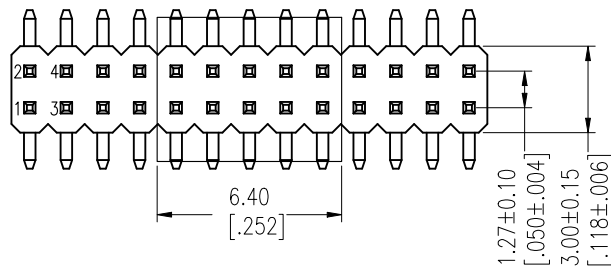
Ordering Information

1325-22 XX XX M XXX C R XX

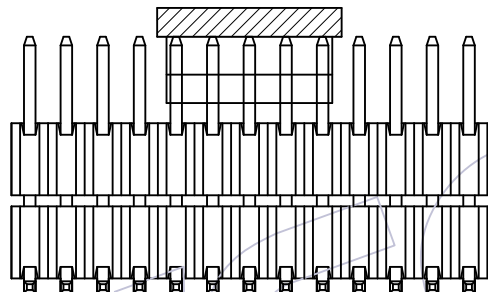
| | | | | |
|---------------|--|------------------------------|-----------------|------------|
| No. of Pins | Contact Plating | Pin Length | Insulator | Series No. |
| Per Row:02~50 | G0=Gold Flash G3=10u"Gold G4=15u"Gold G5=30u"Gold S0=Gold Flash/Tin S3=10u"Gold/Tin S4=15u"Gold/Tin S5=30u"Gold/Tin SN=Tin SM=Matte Tin | L=B+C+D+W ₁ ±1.27 | C=PA9T | 01~99 |
| | | | Packing | |
| | | | A=Tray | |
| | | | T=Tube | |
| | | | P=Tube+CAP | |
| | | | R=Tape&Reel+CAP | |

| Item | Pin Length | W | D | B | E | Mating |
|-----------|------------|------|------|------|----|--------|
| Standard | -- | 5.50 | 0.10 | 1.90 | -- | 2321 |
| | -- | 5.50 | 0.10 | 3.00 | -- | 2334 |
| | -- | 5.50 | 0.10 | 4.00 | -- | 2344 |
| Alternate | | | | | | |

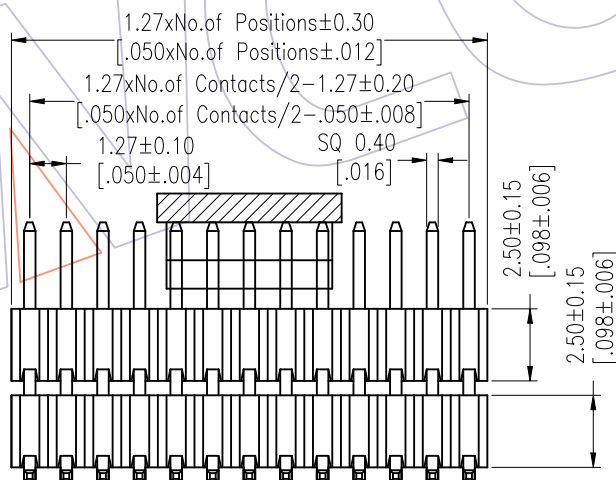
| PIN(PerRow) | 2-15P | 16-30P | 31-50P |
|-------------|-------|--------|--------|
| M | 0.10 | 0.12 | 0.15 |



TYPE-2

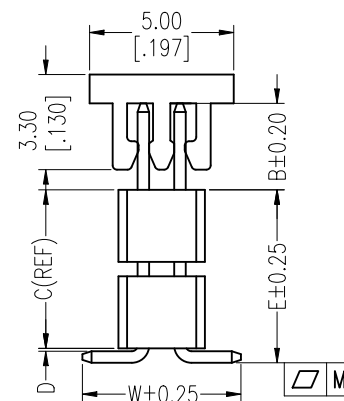
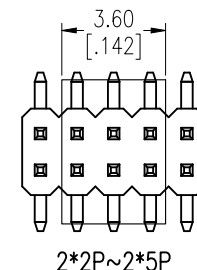
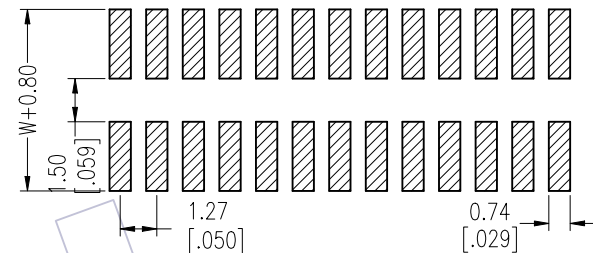


TYPE-1



Recommended P.C.B Layout (Top Side)

(PCB BOARD TOLERANCE±0.05)



| REV | DATE | MODIFICATION DESCRIPTION | CHANGE | ANGLE | DIM | TOL | APPROVE | DATE | PROJ. | SCALE | Fit | PART NO. |
|-----|------------|--------------------------|--------|-------|-----|-----|--------------|-----------|-------|-------|-----------|---|
| A3 | 2023/02/02 | Add Flatness | △3 | | | | Du Ying | OPERATION | DRAW | SCALE | Fit | 1325-22XXXXMXXXCXXX △3 |
| A2 | 2021/12/28 | MODIFY CAP | △2 | | | | Du Ying | OPERATION | DRAW | UNIT | mm [inch] | |
| A1 | 2018/01/18 | MODIFY PART NO. | △1 | | | | William Chen | CHECK | DATE | SIZE | A4 | TITLE: |
| A0 | 2012/03/31 | NEW | | | | | | CHECK | DATE | SHEET | 1/1 | 1.27 Pin Header, DUAL ROW, SMT, DOUBLE PLASTIC, WITHOUT POST, H=2.5 |
| REV | DATE | MODIFICATION DESCRIPTION | CHANGE | ANGLE | DIM | TOL | APPROVE | DATE | PROJ. | | | Customer NO. |

WCON

Http: www.wcon.com

WCON-Dongguan Tel: +86 769 85358920 Fax: +86 769 85358915 E-mail: sales@wcon.com

WCON-Kunshan Tel: +86 512 57468408 Fax: +86 512 57468468 E-mail: salesks@wcon.com