
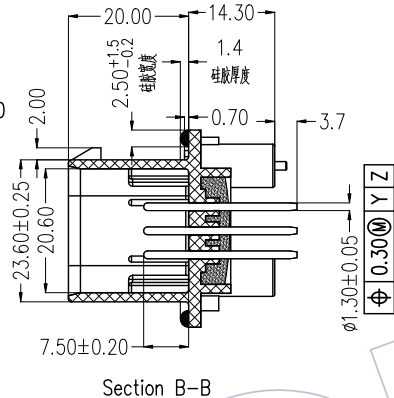
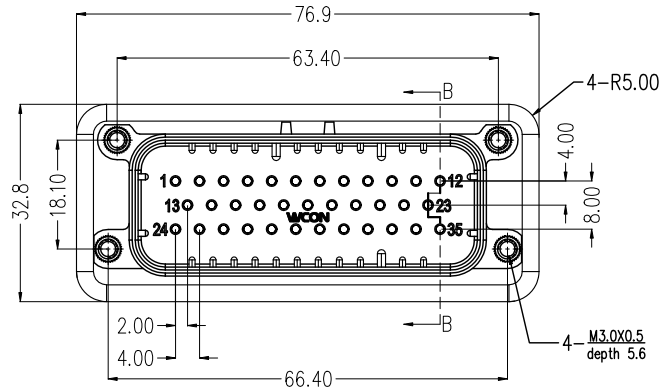
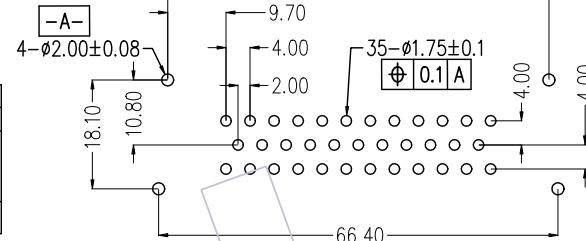


NOTES: 
 Rated Current: 5-8A
 Rated Voltage: 250V AC
 Contact Resistance: 10mΩ Max.
 Withstand Voltage: 1000V
 Insulation Resistance: 5000MΩ Min.
 Operation Temperature:
 Tin Plating: -40℃ to +125℃
 Gold Plating: -40℃ to +125℃

Contact Material: Copper Alloy
 Contact Plating: Sn or Au over Ni
 Main Body Material: PBT+30%GF Blue
 Waterproof grade: IP68/IP69K(After installation)



Recommended P.C.B Layout(Top Side)
 (PCB BOARD TOLERANCE±0.05 T=1.50mm)



Ordering Information

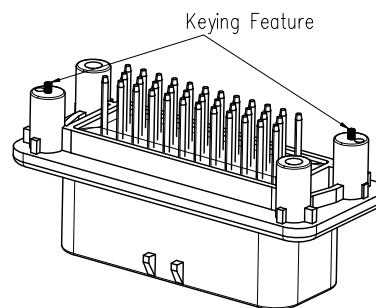
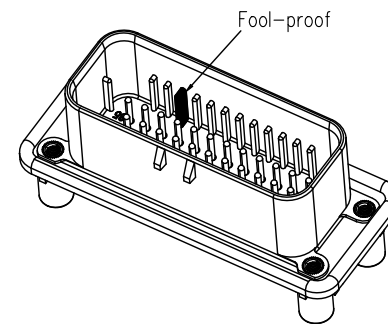
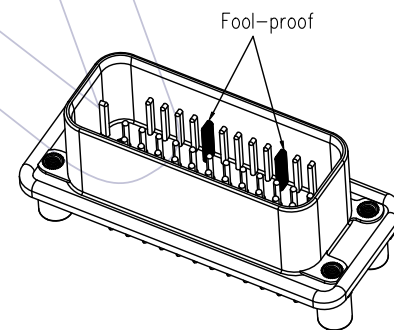
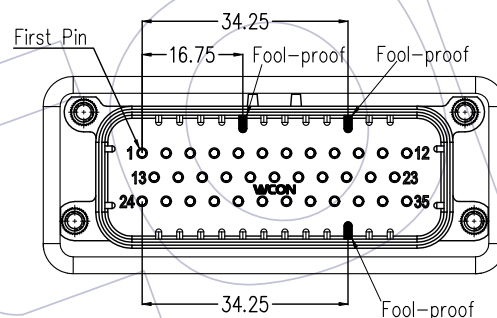
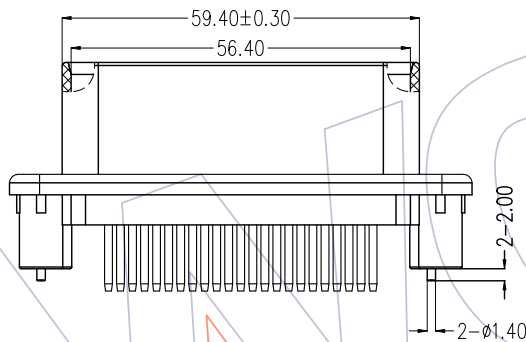
74040-3MS 035 A B XX J A 4 W

Body Material:
A=PBT

Contact Material:
B=Brass

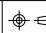
A=Tray

Contact Plating:
G0=1u" Gold
G3=10u" Gold
SN=Sn
SM=Matte Sn



Fool-proof Structure

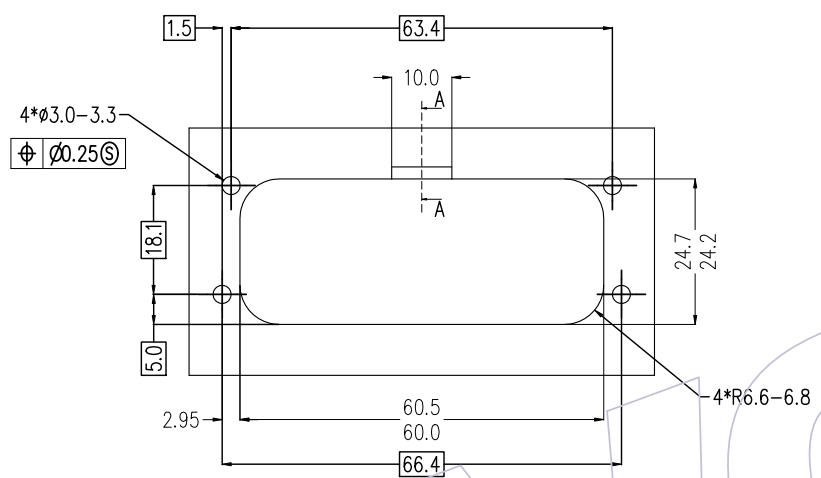
Matched Female Number
74040-3FC035AN00WA4W

REV	DATE	MODIFICATION DESCRIPTION	CHANGE	OPERATION	DRAW	DATE	SCALE	PART NO.
				x.x ±0.40	ZXC	2020/08/03	1:1	74040-3MS035ABXXJA4W
A1	2020/08/03	Modify	ZXC	x.xx ±0.25	CHECK	DATE	UNIT mm	TITLE: 35P 180° Three row automobile vaterproof connector (Upgraded Version)
AO	2019/04/23	NEW		x.xxx ±0.15	APPROVE	DATE	SIZE A4	Customer NO.
				Angle ± 3°			SHEET 1/2	
				DIM TOL			PROJ. 	

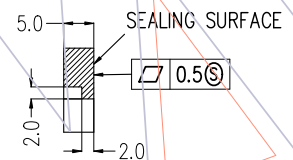
WCON

Http: www.wcon.com

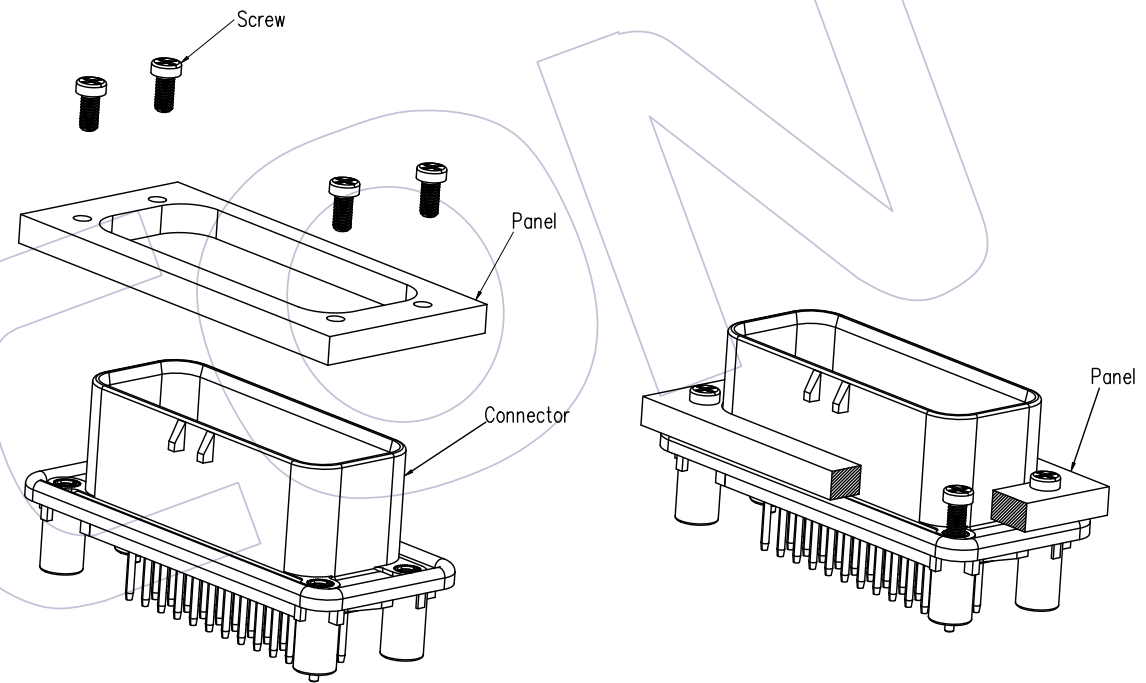
WCON-Dongguan Tel: +86 769 85358920
 WCON-Kunshan Tel: +86 512 57468408
 Fax: +86 769 85358915 Fax: +86 512 57468468
 E-mail: sales@wcon.com E-mail: salesks@wcon.com



RECOMMENDED MOUNTING HOLE LAYOUT FOR 5.0 MAX THICK PANEL (35PIN)



OPTIONAL CONSTRUCTION IF PANEL THICKNESS IS GREATER THAN 2.0



Explosion View

				OPERATION	DRAW	DATE	SCALE	1:1	PART NO.
				x.x ±0.40	ZXC	2020/08/03	UNIT	mm	74040-3MS035ABXXJA4W
A1	2020/08/03	Modify	ZXC	x.xx ±0.25	CHECK	DATE	SIZE	A4	TITLE: 35P 180° Three row automobile waterproof connector (Upgraded Version)
AO	2019/04/23	NEW		x.xxx ±0.15	APPROVE	DATE	SHEET	2/2	Customer NO.
REV	DATE	MODIFICATION DESCRIPTION	CHANGE	Angle ± 3°			PROJ.		
				DIM TOL					

WCON
 Http: www.wcon.com

WCON-Dongguan Tel: +86 769 85358920 Fax: +86 769 85358915 E-mail: sales@wcon.com

WCON-Kunshan Tel: +86 512 57468408 Fax: +86 512 57468468 E-mail: salesks@wcon.com