
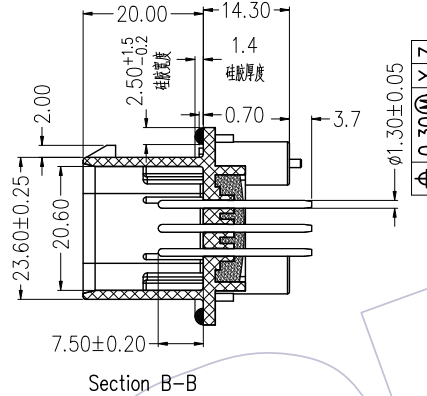
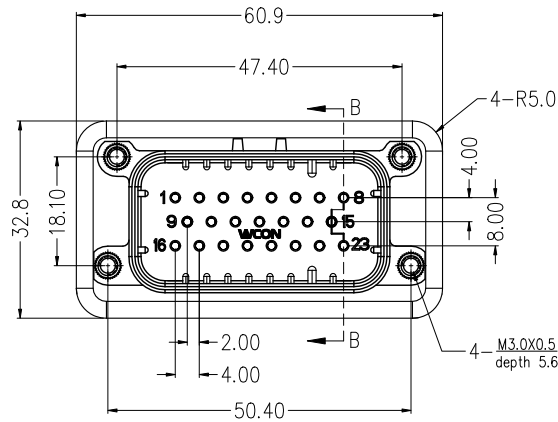


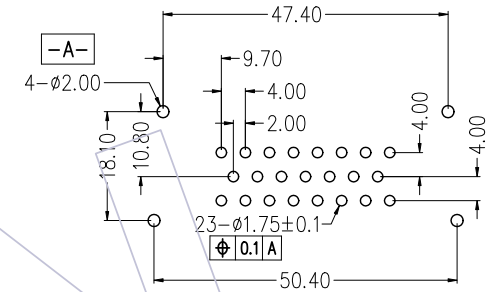
NOTES:   
 Rated Current: 5-8A  
 Rated Voltage: 250V AC  
 Contact Resistance: 10mΩ Max.  
 Withstand Voltage: 1000V  
 Insulation Resistance: 5000MΩ Min.  
 Operation Temperature:  
 Tin Plating: -40°C to +125°C  
 Gold Plating: -40°C to +125°C

Contact Material: Copper Alloy  
 Contact Plating: Sn or Au over Ni  
 Main Body Material: PBT+30%GF Grey

Waterproof grade: IP68/IP69K(After installation)



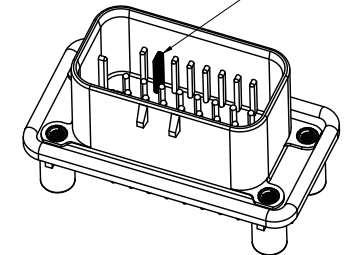
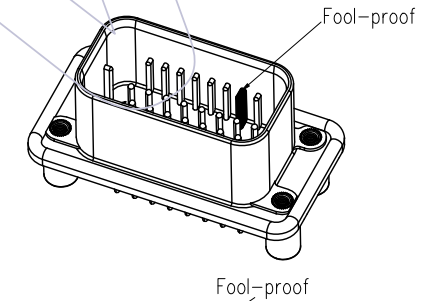
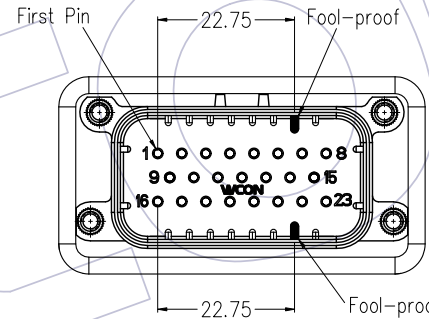
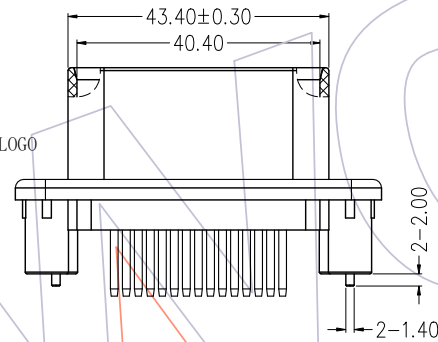
Recommended P.C.B Layout(Top Side)  
 (PCB BOARD TOLERANCE±0.05 T=1.50mm)



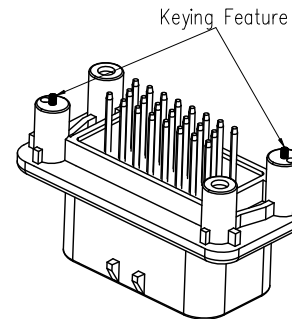
### Ordering Information

74040-3MS 023 A B XX J A 3 W


**Contact Material:**  
 B=Brass  
**Contact Plating:**  
 G0=1u" Gold  
 G3=10u" Gold  
 SN=Sn  
 SM=Matte Sn  
**Body Material:**  
 A=PBT  
**A=Tray**  
 W=W/T LOGO  
 Blank=W/O LOGO



Fool-proof Structure



Matched Female Number  
 74040-3FC023AN00WA3(W)

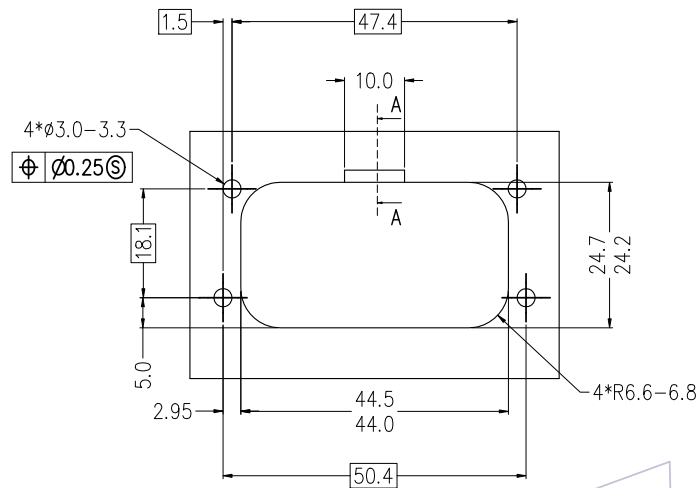
REV	DATE	MODIFICATION DESCRIPTION	CHANGE	OPERATION	DRAW	DATE	SCALE	PART NO.
A2	2021/03/29	Add W/O WOCN SPEC&P/N	XSR	x.x ±0.40	XSR	2021/03/29	1:1	74040-3MS023ABXXJA3(W) 
A1	2020/08/03	Modify	---	x.xx ±0.25	CHECK	DATE	UNIT	TITLE: 23P 180° Three row automobile waterproof connector (Upgraded Version)
A0	2019/04/23	NEW	---	x.xxx ±0.15	APPROVE	DATE	SIZE	Customer NO.
				Angle ± 3°			SHEET	
				DIM TOL			PROJ.	

**WCON**

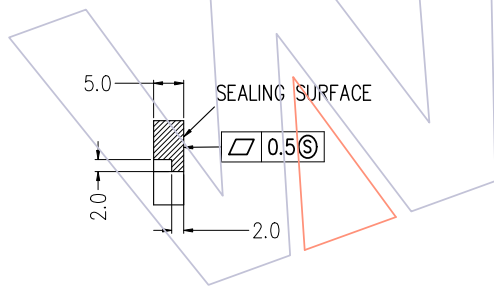
Http: www.wcon.com

WCON-Dongguan  
 Tel: +86 769 85358920  
 Fax: +86 769 85358915  
 E-mail: sales@wcon.com

WCON-Kunshan  
 Tel: +86 512 57468408  
 Fax: +86 512 57468468  
 E-mail: salesks@wcon.com

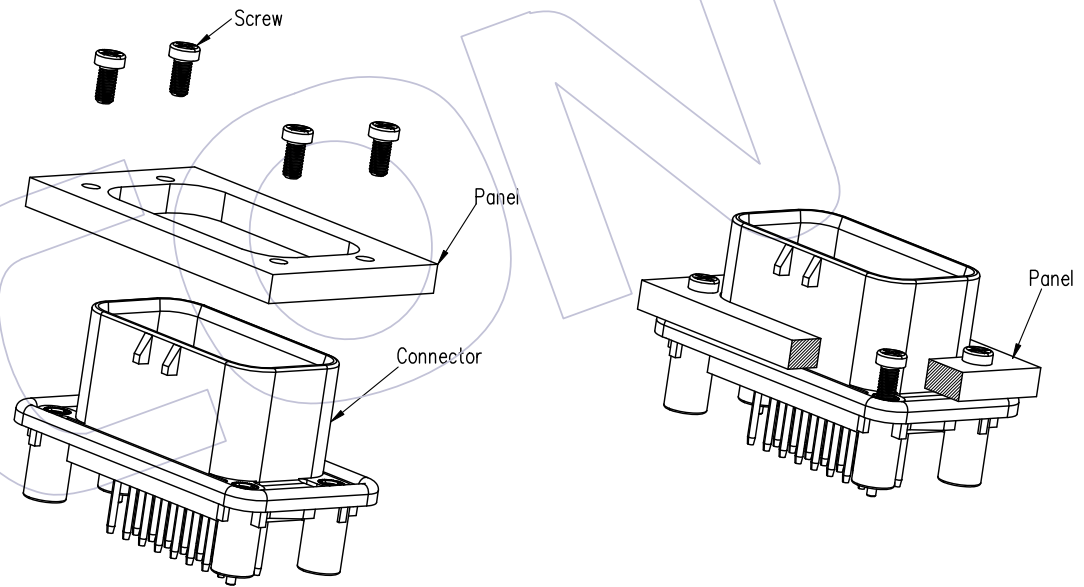


RECOMMENDED MOUNTING HOLE LAYOUT FOR 5.0 MAX THICK PANEL (23PIN)



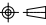


SECTION: A-A

OPTIONAL CONSTRUCTION IF PANEL THICKNESS IS GREATER THAN 2.0



Explosion View

				OPERATION	DRAW	DATE	SCALE	1:1	PART NO.	 Http: www.wcon.com WCON-Dongguan Tel: +86 769 85358920 WCON-Kunshan Tel: +86 512 57468408 Fax: +86 769 85358915 Fax: +86 512 57468468 E-mail: sales@wcon.com E-mail: salesks@wcon.com
A2	2021/03/29	Add W/O WOCN SPEC&P/N	XSR	x.x ±0.40	XSR	2021/03/29	UNIT	mm	74040-3MS023ABXXJA3(W) 	
A1	2020/08/03	Modify	---	x.xx ±0.25	CHECK	DATE	SIZE	A4	TITLE: 23P 180° Three row automobile waterproof connector (Upgraded Version)	
A0	2019/04/23	NEW	---	x.xxx ±0.15	APPROVE	DATE	SHEET	2/2	Customer NO.	
REV	DATE	MODIFICATION DESCRIPTION	CHANGE	Angle ± 3°			PROJ.			
				DIM TOL						