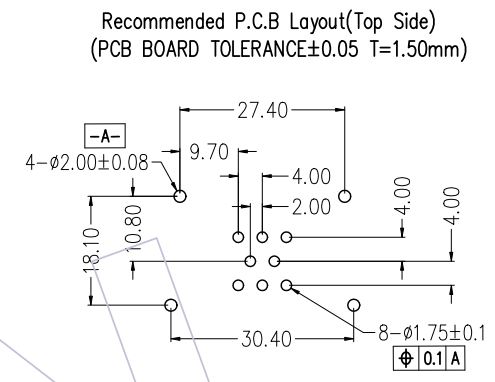
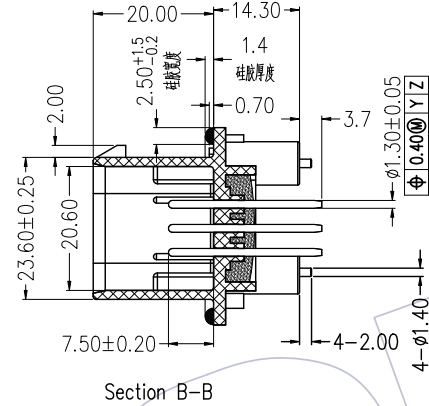
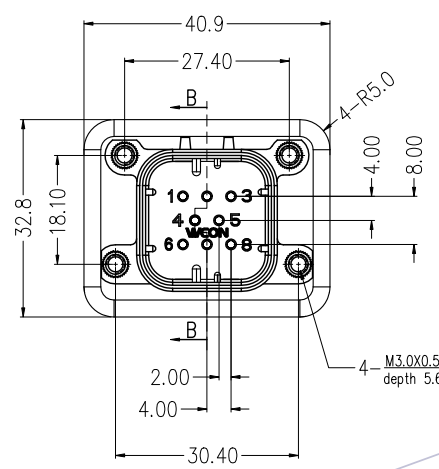


NOTES: \triangle
 Rated Current: 5-8A
 Rated Voltage: 250V AC
 Contact Resistance: 10m Ω Max.
 Withstand Voltage: 1000V
 Insulation Resistance: 5000M Ω Min.
 Operation Temperature:
 Tin Plating: -40 $^{\circ}$ C to +125 $^{\circ}$ C
 Gold Plating: -40 $^{\circ}$ C to +125 $^{\circ}$ C
 Contact Material: Copper Alloy
 Contact Plating: Sn or Au over Ni
 Main Body Material: PBT+30%GF White
 Waterproof grade: IP68/IP69K(After installation)



Ordering Information

74040-3MS 008 A B XX J A 2 W

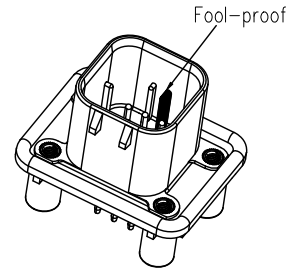
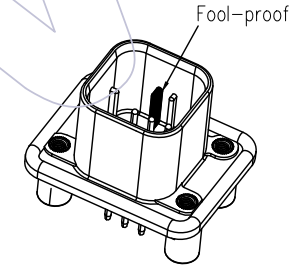
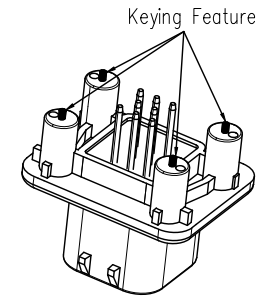
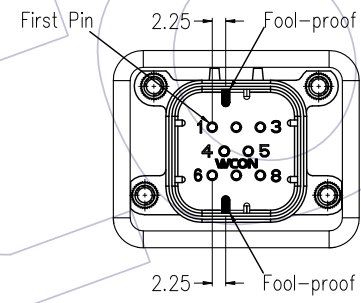
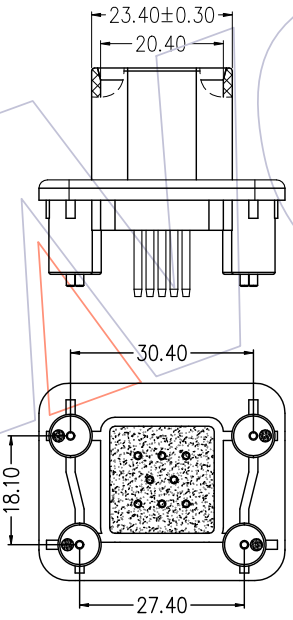
Contact Material:
 A=Brass
 B=Brass

Body Material:
 A=PBT

Contact Plating:
 G0=1u" Gold
 G3=10u" Gold
 SN=Sn
 SM=Matte Sn

A=Tray

Matched Female Number
 74040-3FC008AN00WA2W

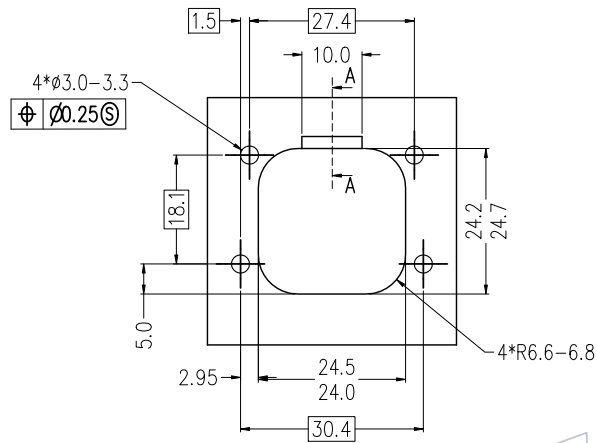


				OPERATION	DRAW	DATE	SCALE	PART NO.
				x.x ±0.40	ZXC	2020/08/03	1:1	74040-3MS008ABXXJA2W
A1	2020/08/03	Modify		x.xx ±0.25	CHECK	DATE	UNIT	TITLE: 8P 180° Three row automobile
AO	2019/04/23	NEW		x.xxx ±0.15		DATE	mm	waterproof connector
REV	DATE	MODIFICATION DESCRIPTION	CHANGE	Angle ± 3°	APPROVE	DATE	SIZE	(Upgraded Version)
				DIM TOL			A4	Customer NO.
							SHEET	
							1/2	
							PROJ.	

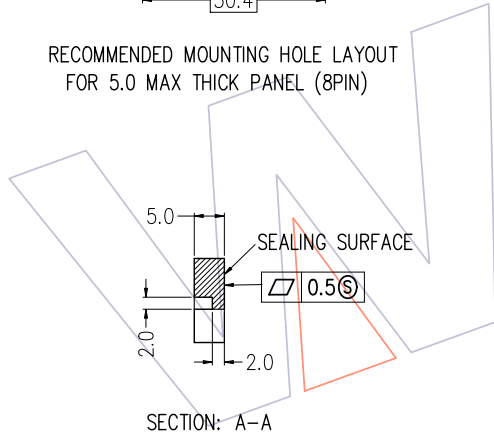
WCON
 Http: www.wcon.com

WCON-Dongguan
 Tel: +86 769 85358920
 Fax: +86 769 85358915
 E-mail: sales@wcon.com

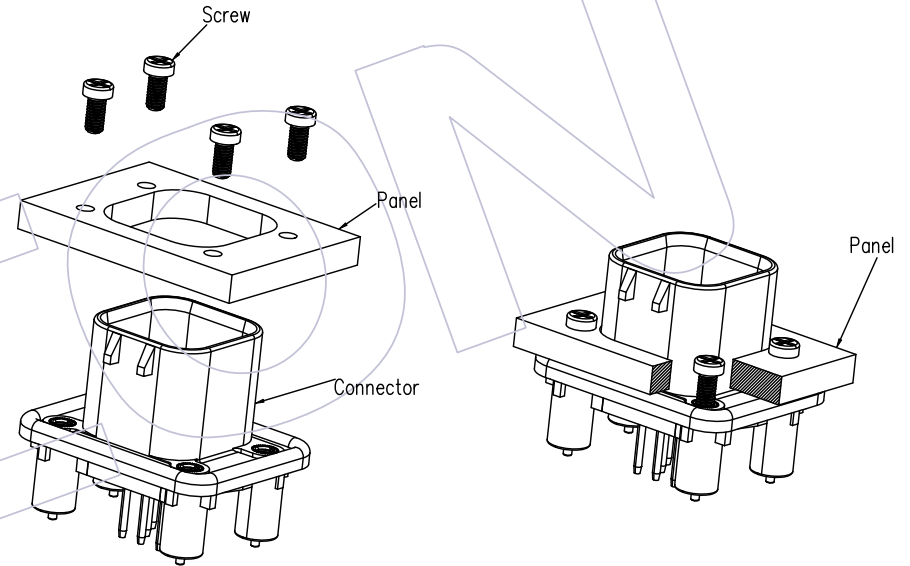
WCON-Kunshan
 Tel: +86 512 57468408
 Fax: +86 512 57468468
 E-mail: salesks@wcon.com



RECOMMENDED MOUNTING HOLE LAYOUT FOR 5.0 MAX THICK PANEL (8PIN)



OPTIONAL CONSTRUCTION IF PANEL THICKNESS IS GREATER THAN 2.0



Explosion View

				OPERATION	DRAW	DATE	SCALE	1:1	PART NO.
				x.x ±0.40	ZXC	2020/08/03	UNIT	mm	74040-3MS008ABXXJA2W
A1	2020/08/03	Modify		x.xx ±0.25	CHECK	DATE	SIZE	A4	TITLE: 8P 180° Three row automobile waterproof connector (Upgraded Version)
AO	2019/04/23	NEW		x.xxx ±0.15	APPROVE	DATE	SHEET	2/2	Customer NO.
REV	DATE	MODIFICATION DESCRIPTION	CHANGE	Angle ± 3'			PROJ.		
				DIM TOL					

WCON
 Http: www.wcon.com

WCON-Dongguan Tel: +86 769 85358920
 WCON-Kunshan Tel: +86 512 57468408
 Fax: +86 769 85358915 Fax: +86 512 57468468
 E-mail: sales@wcon.com E-mail: salesks@wcon.com