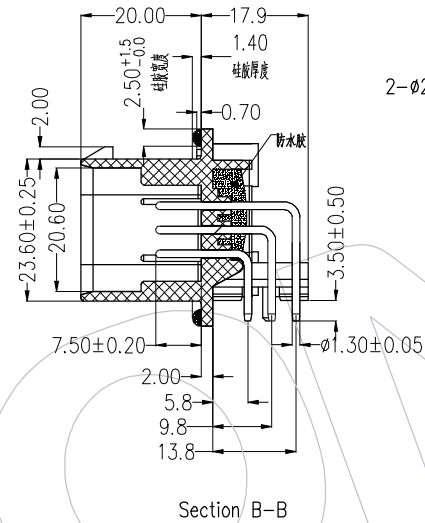
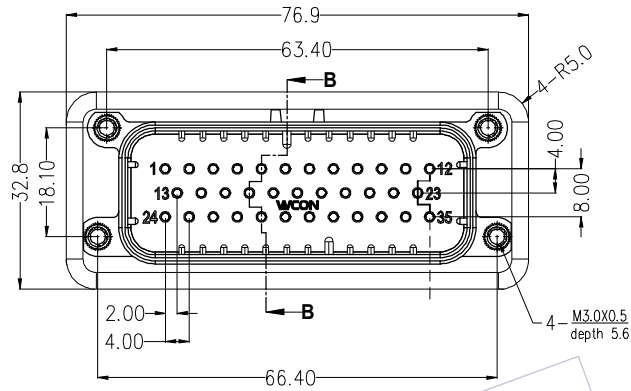
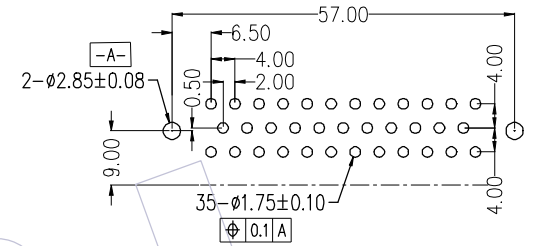


NOTES:

Rated Current: 5-8A
 Rated Voltage: 250V AC
 Contact Resistance: 10mΩ Max.
 Withstand Voltage: 1000V
 Insulation Resistance: 5000MΩ Min.
 Operation Temperature:
 Tin Plating: -40℃ to +125℃
 Gold Plating: -40℃ to +125℃
 Contact Material: Copper Alloy
 Contact Plating: Sn or Au over Ni
 Main Body Material: PBT+30%CF Black
 Waterproof grade: IP68/IP69K(After installation)



Recommended P.C.B Layout(Top Side)
 (PCB BOARD TOLERANCE±0.05 T=1.50mm)



Ordering Information

74040-3MR 035 A B XX J A 1 W

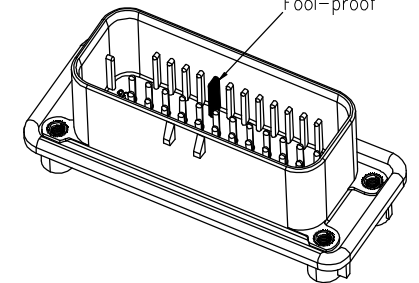
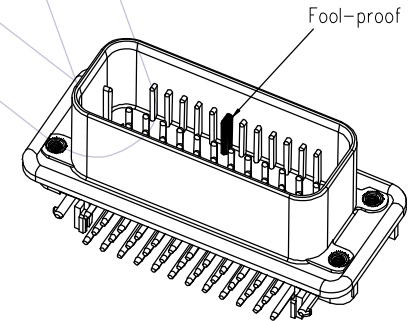
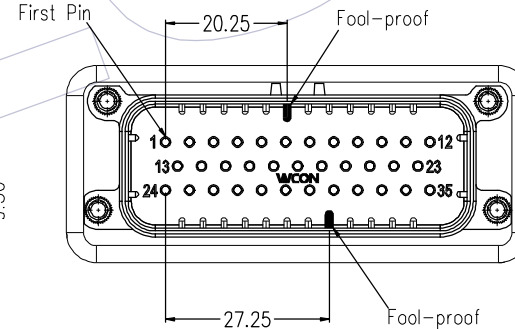
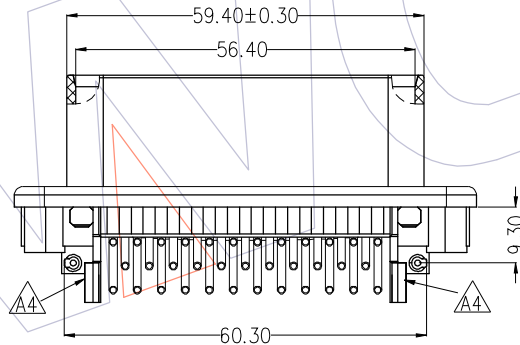
Body Material:
 A=PBT

Contact Material:
 B=Brass

Contact Plating:
 G0=1u" Gold
 G3=10u" Gold
 SN=Sn
 SM=Matte Sn

W=WT LOGO
Blank=W/O LOGO

A=Tray



Fool-proof Structure

Matched Female Number

74040-3FC035AN00WA1(W)

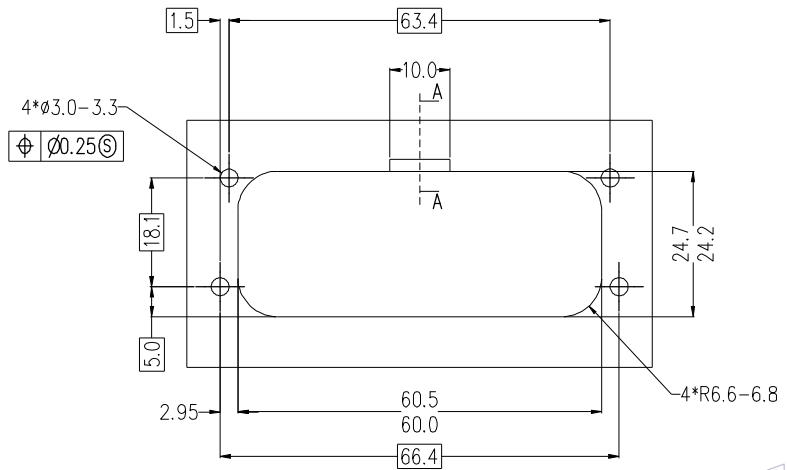
| | | | | | | | | |
|-----|------------|--------------------------|-------------|---------|------------|-------|-----|---|
| A4 | 2022.06.08 | Modify | OPERATION | DRAW | DATE | SCALE | 1:1 | PART NO. 74040-3MR035ABXXJA1(W) |
| A3 | 2020.08.03 | Modify | x.x ±0.40 | XSR | 2022.06.08 | UNIT | mm | |
| A2 | 2019.12.03 | Modify | x.xx ±0.25 | CHECK | DATE | SIZE | A4 | TITLE: 35P 90° Three row automobile waterproof connector (Upgraded Version) |
| A0 | 2018.11.09 | NEW | x.xxx ±0.15 | APPROVE | DATE | SHEET | 1/2 | |
| REV | DATE | MODIFICATION DESCRIPTION | CHANGE | DIM TOL | DATE | PROJ. | | Customer NO. |

WCON

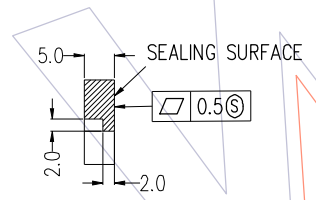
Http: www.wcon.com

WCON-Dongguan
 Tel: +86 769 85358920
 Fax: +86 769 85358915
 E-mail: sales@wcon.com

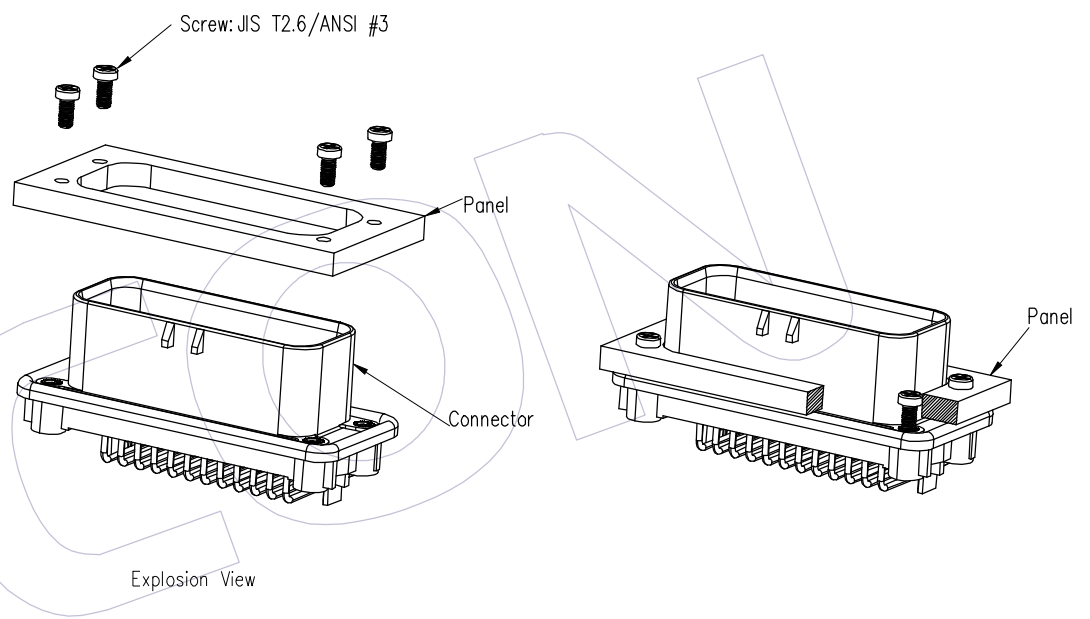
WCON-Kunshan
 Tel: +86 512 57468408
 Fax: +86 512 57468468
 E-mail: salesks@wcon.com



RECOMMENDED MOUNTING HOLE LAYOUT FOR 5.0 MAX THICK PANEL (35PIN)



OPTIONAL CONSTRUCTION IF PANEL THICKNESS IS GREATER THAN 2.0



| | | | | | | | | |
|-----|------------|--------------------------|-------------|---------|------------|-------|-----|--|
| A4 | 2022.06.08 | Modify | OPERATION | DRAW | DATE | SCALE | 1:1 | PART NO. 74040-3MR035ABXXJA1(W) |
| A3 | 2020.08.03 | Modify | x.x ±0.40 | XSR | 2022.06.08 | UNIT | mm | |
| A2 | 2019.12.03 | Modify | x.xx ±0.25 | CHECK | DATE | SIZE | A4 | TITLE: 35P 90° Three row automobile vooterproof connector (Upgraded Version) |
| A0 | 2018.11.09 | NEW | x.xxx ±0.15 | APPROVE | DATE | SHEET | 2/2 | |
| REV | DATE | MODIFICATION DESCRIPTION | CHANGE | DIM | TOL | PROJ. | | Customer NO. |

Http: www.wcon.com

| | |
|---|--|
| WCON-Dongguan Tel: +86 769 85358920 Fax: +86 769 85358915 E-mail: sales@wcon.com | WCON-Kunshan Tel: +86 512 57468408 Fax: +86 512 57468468 E-mail: salesks@wcon.com |
|---|--|