
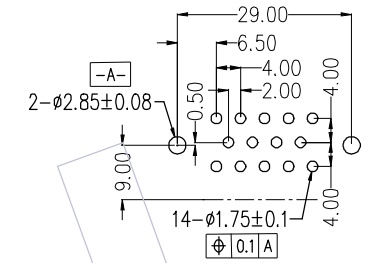
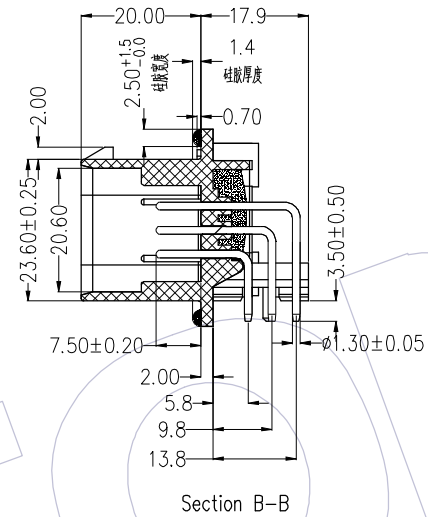
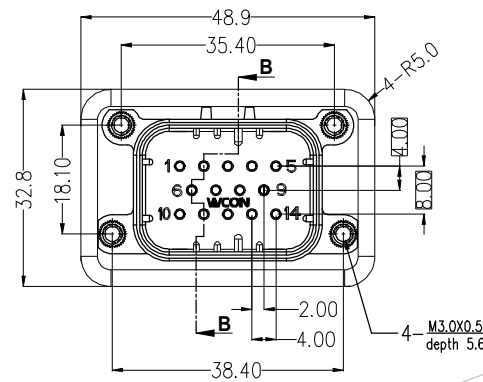


NOTES: 
 Rated Current: 5-8A
 Rated Voltage: 250V AC
 Contact Resistance: 10mΩ Max.
 Withstand Voltage: 1000V
 Insulation Resistance: 5000MΩ Min.
 Operation Temperature:
 Tin Plating: -40℃ to +125℃
 Gold Plating: -40℃ to +125℃


Contact Material: Copper Alloy
 Contact Plating: Sn or Au over Ni
 Main Body Material: PBT+30%GF Black

Waterproof grade: IP68/IP69K (After installation)

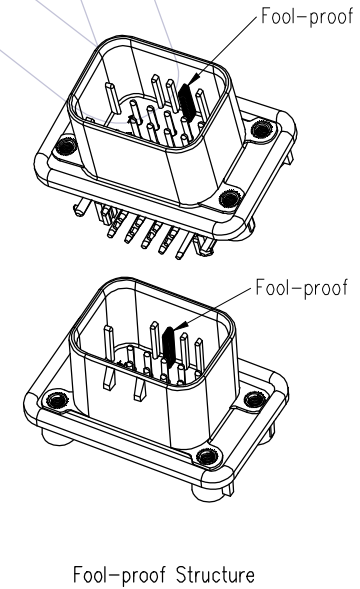
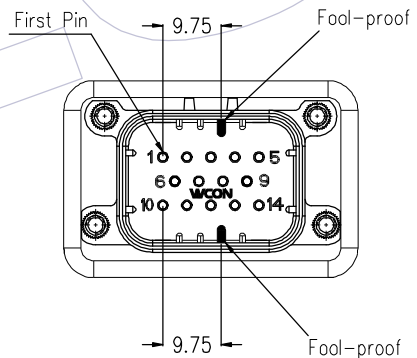
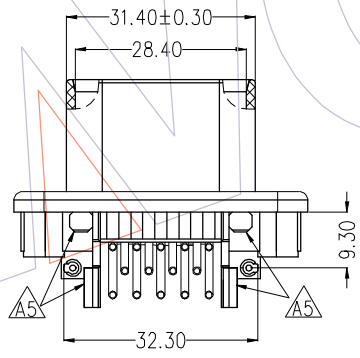
Recommended P.C.B Layout (Top Side)
 (PCB BOARD TOLERANCE ±0.05 T=1.50mm)




Ordering Information

74040-3MR 014 A B XX J A 1 W 

Contact Material:
 B=Brass
 A=Tray W=W/T LOGO
 Blank=W/O LOGO
 Body Material:
 A=PBT
 Contact Plating:
 G0=1u" Gold
 G3=10u" Gold
 SN=Sn
 SM=Matte Sn



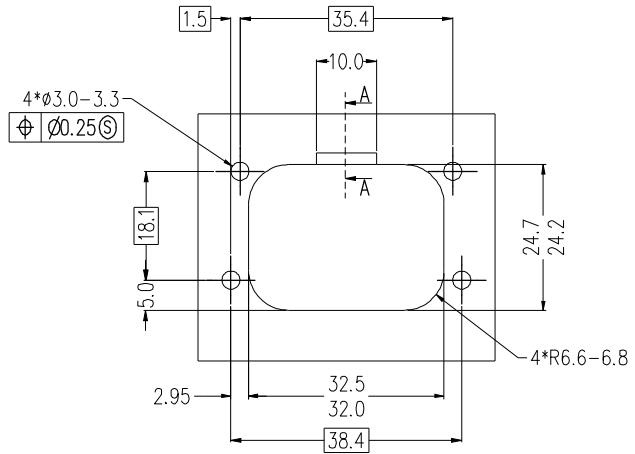
Matched Female Number
74040-3FC014AN00WA1(W)

A5	2022.06.08	Modify	OPERATION	DRAW	DATE	SCALE	1:1	PART NO.
A4	2020.08.03	Modify	x.x ±0.40	XSR	2022.06.08	UNIT	mm	74040-3MR014ABXXJA1(W) 
A3	2019.12.02	74040-3MR014ABXXJA1N → 74040-3MR014ABXXJA1	x.xx ±0.25	CHECK	DATE	SIZE	A4	TITLE: 14P 90° Three row automobile waterproof connector (Upgraded Version)
A0	2018.11.09	NEW	x.xxx ±0.15	APPROVE	DATE	SHEET	1/2	Customer NO.
REV	DATE	MODIFICATION DESCRIPTION	CHANGE	ANGLE		PROJ.		
				DIM	TOL			

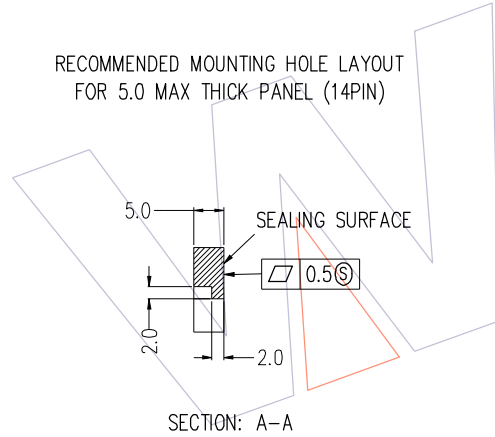
WCON
 Http: www.wcon.com

WCON-Dongguan
 Tel: +86 769 85358920
 Fax: +86 769 85358915
 E-mail: sales@wcon.com

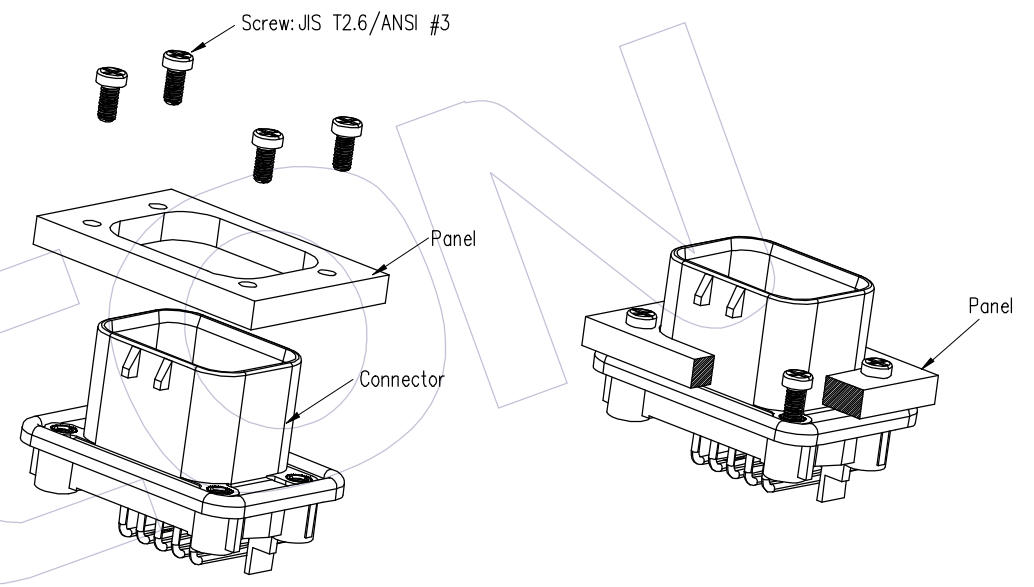
WCON-Kunshan
 Tel: +86 512 57468408
 Fax: +86 512 57468468
 E-mail: salesks@wcon.com



RECOMMENDED MOUNTING HOLE LAYOUT FOR 5.0 MAX THICK PANEL (14PIN)



OPTIONAL CONSTRUCTION IF PANEL THICKNESS IS GREATER THAN 2.0



Explosion View

A5	2022.06.08	Modify	OPERATION	DRAW	DATE	SCALE	1:1	PART NO. 74040-3MR014ABXXJA1(W)
A4	2020.08.03	Modify	x.x ±0.40	XSR	2022.06.08	UNIT	mm	
A3	2019.12.02	74040-3MR014ABXXJA1→74040-3MR014ABXXJA1	x.xx ±0.25	CHECK	DATE	SIZE	A4	TITLE: 14P 90° Three row automobile waterproof connector (Upgraded Version)
A0	2018.11.09	NEW	x.xxx ±0.15	APPROVE	DATE	SHEET	2/2	
REV	DATE	MODIFICATION DESCRIPTION	CHANGE	DIM	TOL	PROJ.		Customer NO.

WCON
 Http: www.wcon.com

WCON-Dongguan
 Tel: +86 769 85358920
 Fax: +86 769 85358915
 E-mail: sales@wcon.com

WCON-Kunshan
 Tel: +86 512 57468408
 Fax: +86 512 57468468
 E-mail: salesks@wcon.com