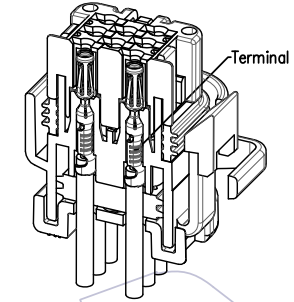
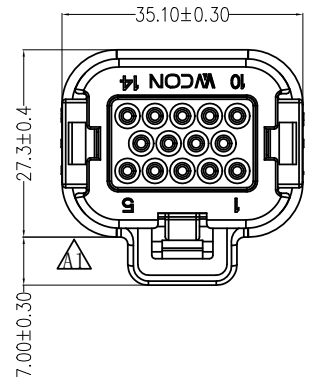
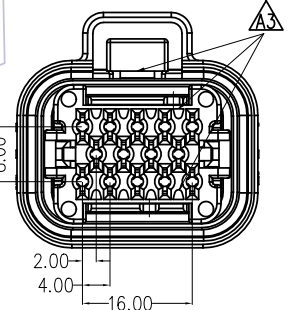
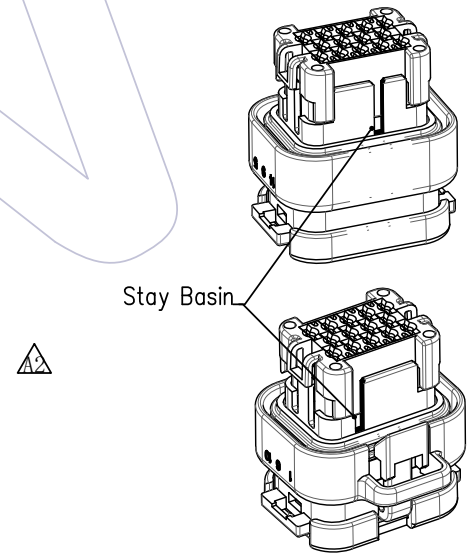
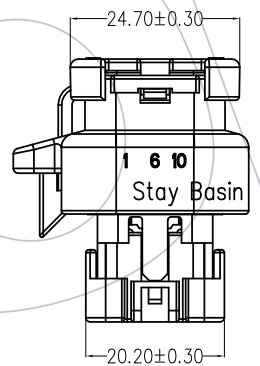
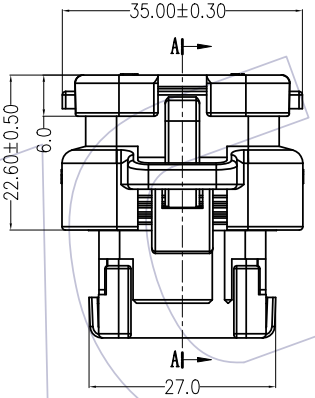
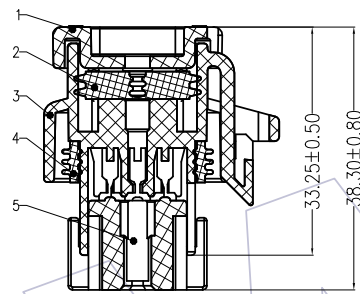


NOTES:
 No. of Positions: 14 Pin
 Housing Material: PBT
 Wire Size Range: 20-16AWG(1.0-1.5mm²)
 Operation Temperature: -40°C to +125°C
 Waterproof grade: IP68/IP69K(After installation)



Serial Number	Part Name	Material	Consumption
1	Line end shell	PBT / BLACK	1
2	Line end sealing ring	Silicon rubber	1
3	Main body	PBT / WHITE	1
4	Main sealing ring	Silicon rubber	1
5	Lock cover	PBT / RED	1



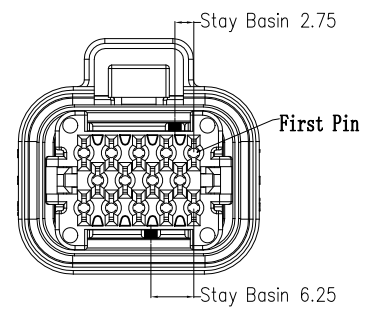
Ordering Information

74040-3FC 014 A N 00 W A 2 W

No. of Pins: 014=14P
 Body Material: A=PBT
 A=Tray
 W=W/T WCON LOGO
 Blank=W/O LOGO

Matched Plug Number:

74040-3MS014ABXXNA2 (W)
74040-3MS014ABXXJA2 (W)
74040-3MR014ABXXNA2 (W)
74040-3MR014ABXXJA2 (W)



REV	DATE	MODIFICATION DESCRIPTION	CHANGE	DIM	TOL	OPERATION	DRAW	DATE	SCALE	FIT	PART NO.
A3	2021/09/03	Modify;ADD W/O LOGO SPEC.&P/N	---			OPERATION	DRAW	2021/09/03	SCALE	FIT	PART NO.
A2	2019/03/18	Modify	---	X.X	±0.40	CHECK	XSR		UNIT	mm	74040-3FC014AN00WA2 (W) A3
A1	2018/11/29	Modify	---	X.XX	±0.25	CHECK			SIZE	inch	TITLE:
A0	2018/09/01	NEW	---	X.XXX	±0.15	APPROVE			SHEET	1/1	4.0X4.0 three row car connector line end 14P socket
				Angle	± 3'				PROJ.		Customer NO.

WCON
 Http: www.wcon.com

WCON-Dongguan Tel: +86 769 85358920
 Fax: +86 769 85358915
 E-mail: sales@wcon.com

WCON-Kunshan Tel: +86 512 57468408
 Fax: +86 512 57468468
 E-mail: salesks@wcon.com