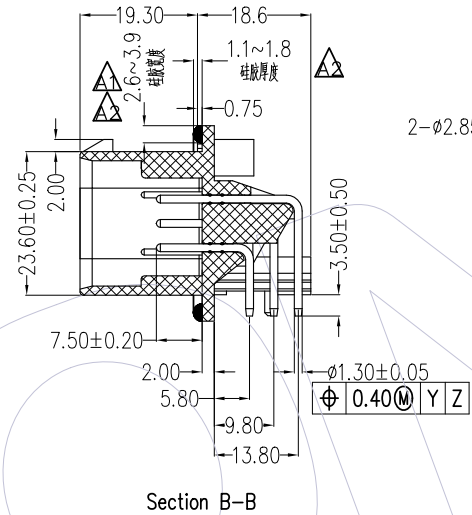
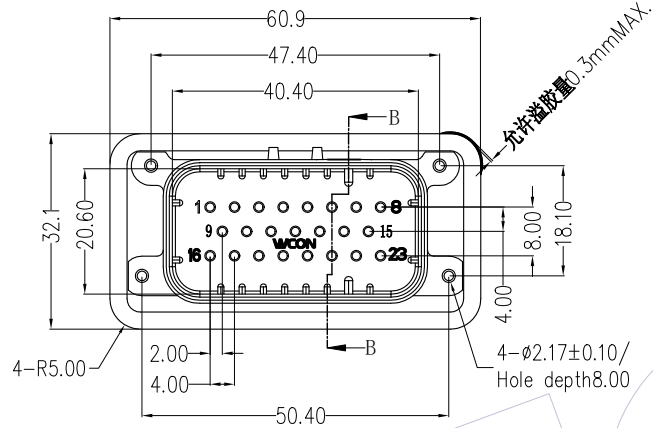
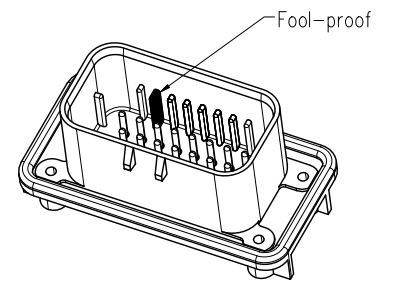
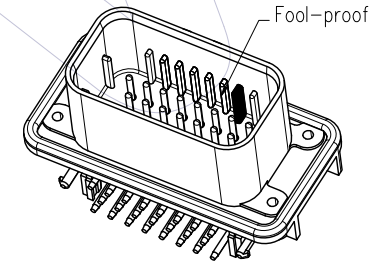
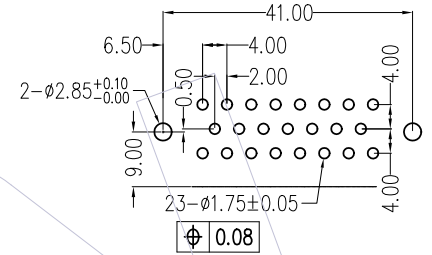


NOTES:  
 Rated Current: 5-8A  
 Rated Voltage: 250V AC  
 Contact Resistance: 10mΩ Max.  
 Withstand Voltage: 1000V  
 Insulation Resistance: 5000MΩ Min.  
 Operation Temperature:  
 Tin Plating: -40℃ to +125℃  
 Gold Plating: -40℃ to +125℃  
 Contact Material: Copper Alloy  
 Contact Plating: Sn or Au over Ni  
 Main Body Material: PBT+30%GF Grey  
 Waterproof grade: IP68/IP69K(After installation)



Recommended P.C.B Layout(Top Side)  
 (PCB BOARD TOLERANCE±0.05 T=1.50, mm)



Fool-proof Structure

### Ordering Information

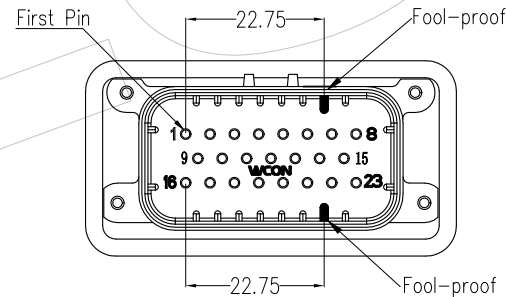
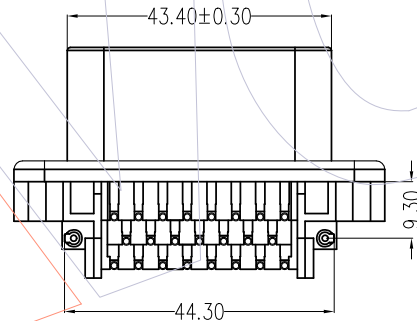
74040-3MR 023 A B XX N A 3 W

Body Material:  
 A=PBT

Contact Material:  
 B=Brass

Contact Plating:  
 G0=1u" Gold  
 G3=10u" Gold  
 SN=Sn  
 SM=Matte Sn

A=Tray



Matched Female Number

74040-3FC023AN00WA3W

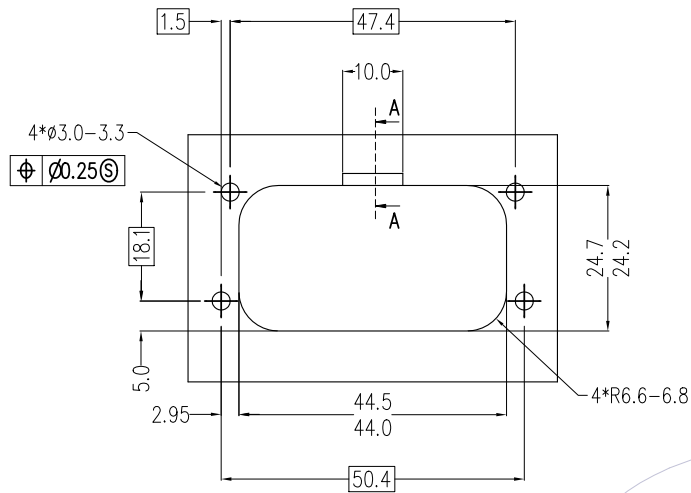
A4	2019.04.16	Modify	OPERATION	DRAW	DATE	SCALE	1:1	PART NO.
A3	2018.11.23	Modify	x.X ±0.40	Ding	2019.04.16	UNIT	mm	74040-3MR023ABXXNA3W
A2	2018.09.14	Modify	x.XX ±0.25	CHECK	DATE	SIZE	A4	TITLE: 车用防水型23P插座90度
A0	2018.03.12	NEW	x.XXX ±0.15	APPROVE	DATE	SHEET	1/2	Customer NO.
REV	DATE	MODIFICATION DESCRIPTION	CHANGE	DIM	TOL	PROJ.		

# WCON

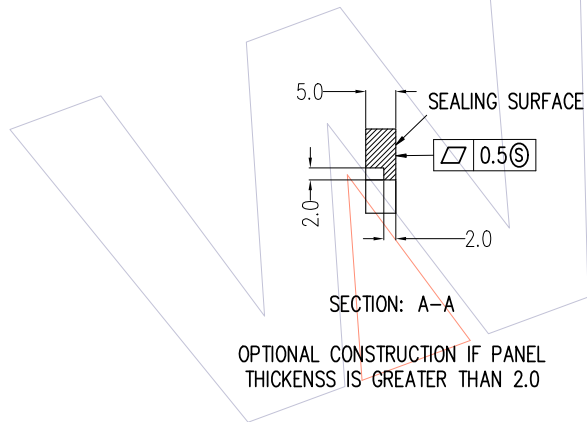
Http: www.wcon.com

WCON-Dongguan  
 Tel: +86 769 85358920  
 Fax: +86 769 85358915  
 E-mail: sales@wcon.com

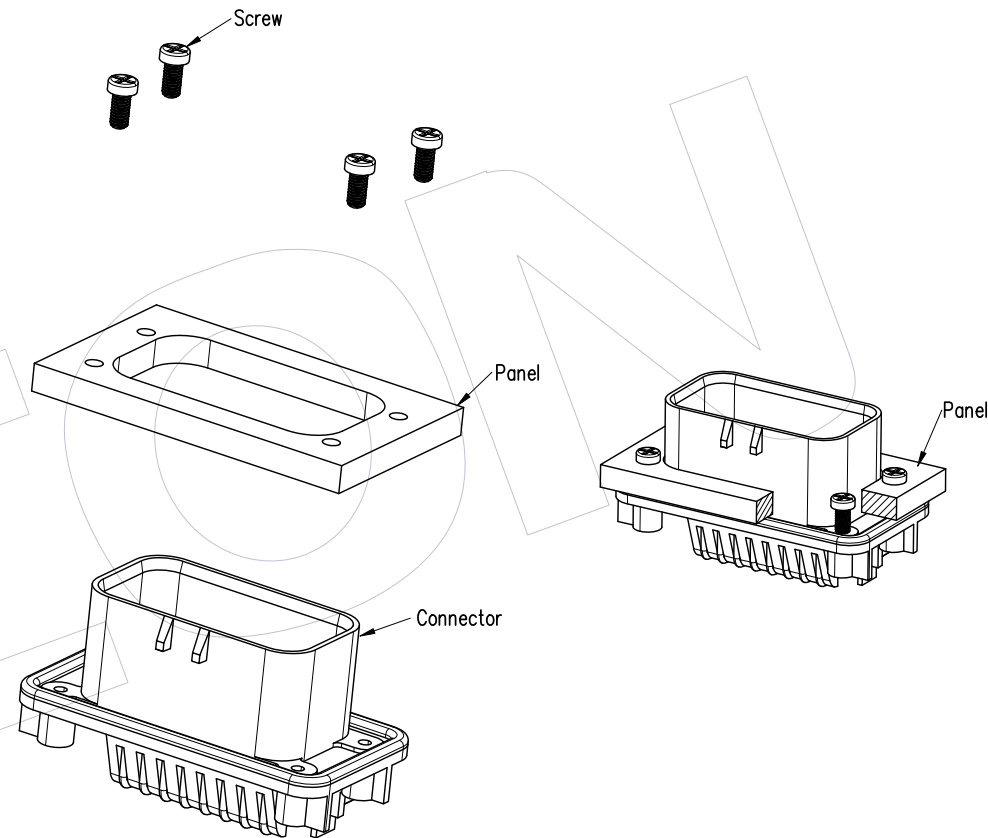
WCON-Kunshan  
 Tel: +86 512 57468408  
 Fax: +86 512 57468468  
 E-mail: salesks@wcon.com




RECOMMENDED MOUNTING HOLE LAYOUT FOR 5.0 MAX THICK PANEL (23PIN)



OPTIONAL CONSTRUCTION IF PANEL THICKNESS IS GREATER THAN 2.0



Explosion View

A4	2019.04.16	Modify	OPERATION	DRAW	DATE	SCALE	1:1	PART NO.	 <a href="http://www.wcon.com">Http: www.wcon.com</a> WCON-Dongguan Tel: +86 769 85358920 Fax: +86 769 85358915 E-mail: sales@wcon.com	WCON-Kunshan Tel: +86 512 57468408 Fax: +86 512 57468468 E-mail: salesks@wcon.com
A3	2018.11.23	Modify	x.X ±0.40	Ding	UNIT	mm	74040-3MR023ABXXNA3W 			
A2	2018.09.14	Modify	x.XX ±0.25	CHECK	DATE	SIZE	A4	TITLE:		
A0	2018.03.12	NEW	x.XXX ±0.15	APPROVE	DATE	SHEET	2/2	Customer NO.		
REV	DATE	MODIFICATION DESCRIPTION	CHANGE	DIM	TOL	PROJ.	