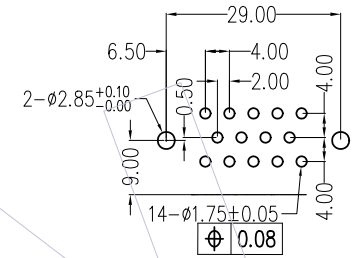
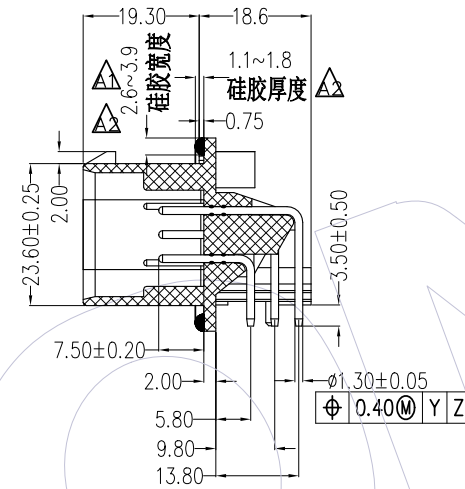
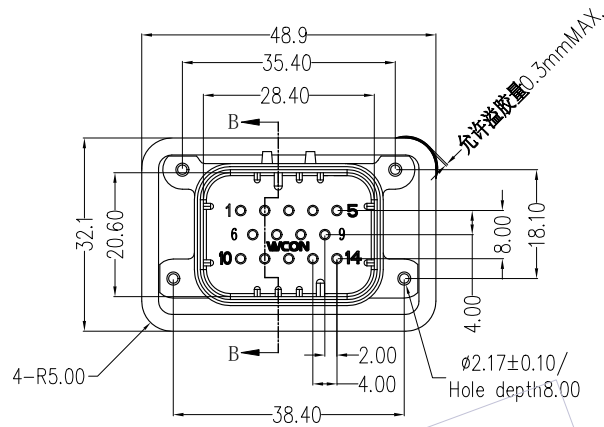


NOTES:
 Rated Current: 5-8A
 Rated Voltage: 250V AC
 Contact Resistance: 10mΩ Max.
 Withstand Voltage: 1000V
 Insulation Resistance: 5000MΩ Min.
 Operation Temperature:
 Tin Plating: -40℃ to +125℃
 Gold Plating: -40℃ to +125℃
 Contact Material: Copper Alloy
 Contact Plating: Sn or Au over Ni
 Main Body Material: PBT+30%GF Grey

Waterproof grade: IP68/IP69K (After installation)

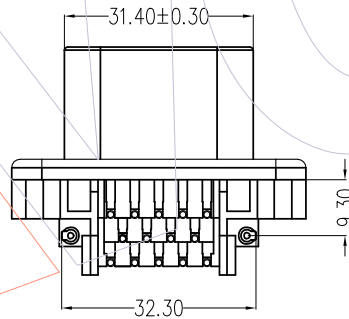
Recommended P.C.B Layout (Top Side)
 (PCB BOARD TOLERANCE ±0.05 T=1.50mm)



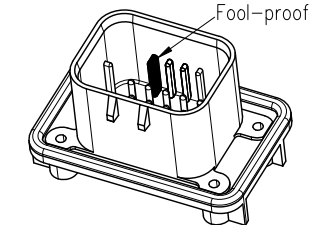
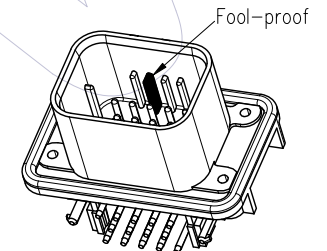
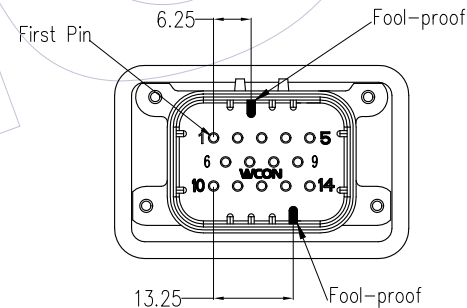
Ordering Information

74040-3MR 014 **A B XX N A 3 W**

Contact Material:
 B=Brass
A=Tray
Body Material:
 A=PBT
Contact Plating:
 G0=1u" Gold
 G3=10u" Gold
 SN=Sn
 SM=Matte Sn



Section B-B



Fool-proof Structure

Matched Female Number

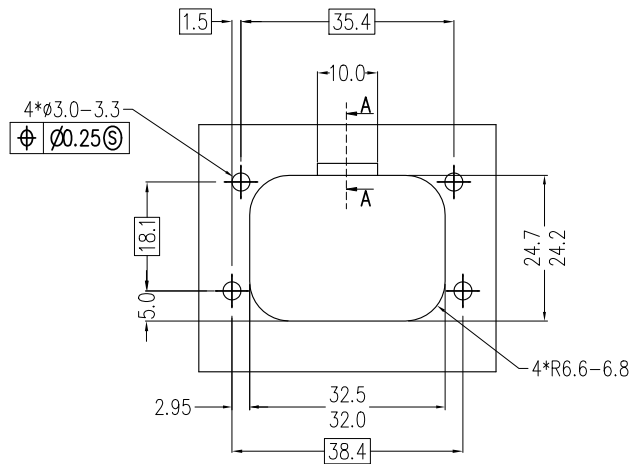
74040-3FC014AN00WA3W

REV	DATE	MODIFICATION DESCRIPTION	CHANGE	DIM	TOL	APPROVE	DATE	SCALE	UNIT	SHEET	PROJ.	PART NO.	TITLE:	Customer NO.
A4	2019.04.16	Modify	—	OPERATION		DRAW	DATE	1:1	mm	1/2	⊕	74040-3MR014ABXXNA3W	车用防水型14P插座90度	
A3	2018.11.23	Modify	—	x.x	±0.40	Ding	2019.04.16							
A2	2018.09.14	Modify	—	x.xx	±0.25	CHECK	DATE		A4					
A0	2018.03.12	NEW	—	x.xxx	±0.15	APPROVE	DATE							
				Angle	± 3°									

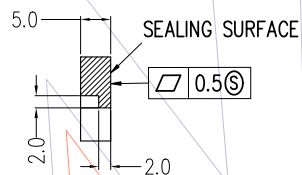
WCON
 Http: www.wcon.com

WCON-Dongguan
 Tel: +86 769 85358920
 Fax: +86 769 85358915
 E-mail: sales@wcon.com

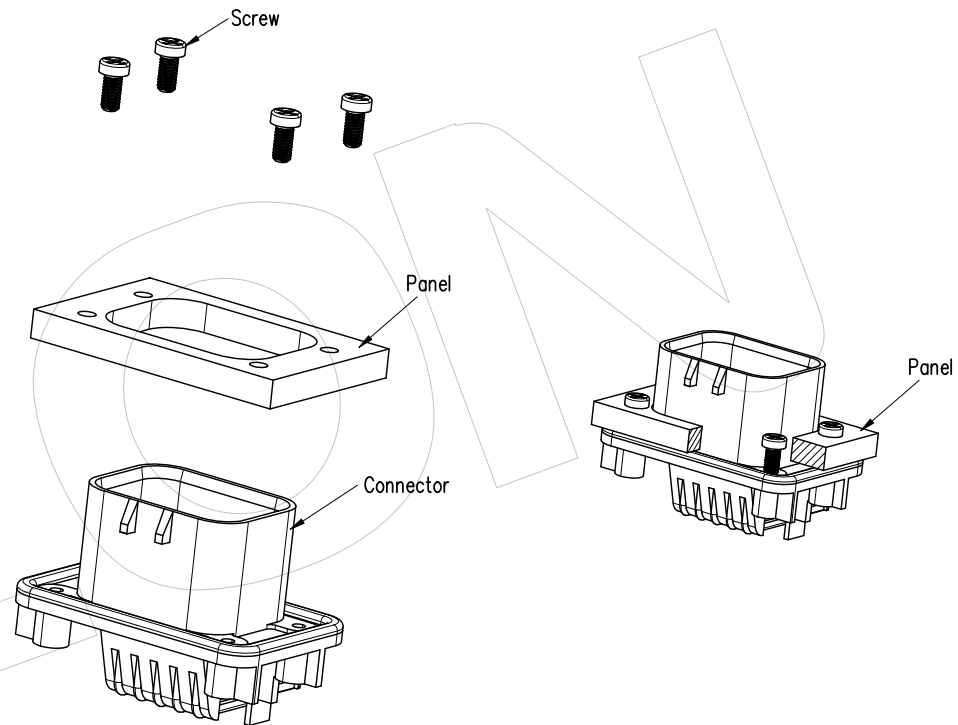
WCON-Kunshan
 Tel: +86 512 57468408
 Fax: +86 512 57468468
 E-mail: salesks@wcon.com





RECOMMENDED MOUNTING HOLE LAYOUT FOR 5.0 MAX THICK PANEL (14PIN)



OPTIONAL CONSTRUCTION IF PANEL THICKNESS IS GREATER THAN 2.0



Explosion View

A4	2019.04.16	Modify	OPERATION	DRAW	DATE	SCALE	1:1	PART NO.	 Http: www.wcon.com WCON-Dongguan Tel: +86 769 85358920 WCON-Kunshan Tel: +86 512 57468408 Fax: +86 769 85358915 Fax: +86 512 57468468 E-mail: sales@wcon.com E-mail: salesks@wcon.com
A3	2018.11.23	Modify	x.x ±0.40	Ding	2019.04.16	UNIT	mm	74040-3MR014ABXXNA3W 	
A2	2018.09.14	Modify	x.xx ±0.25 x.xxx ±0.15	CHECK	DATE	SHEET	A4	TITLE: 车用防水型14P插座90度	
A0	2018.03.12	NEW	Angle ± 3°	APPROVE	DATE	PROJ.	2/2	Customer NO.	
REV	DATE	MODIFICATION DESCRIPTION	CHANGE	DIM	TOL				