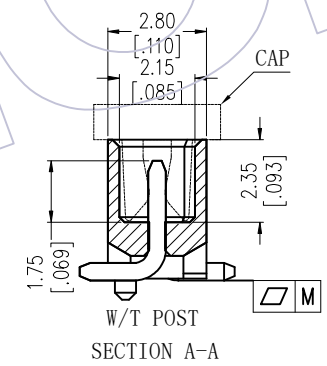
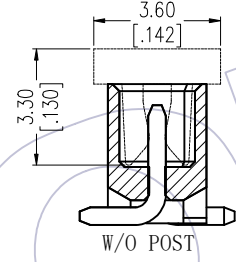
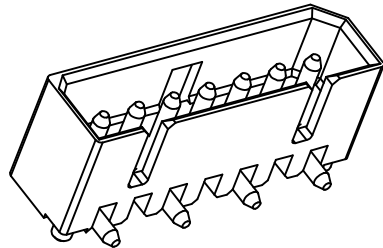
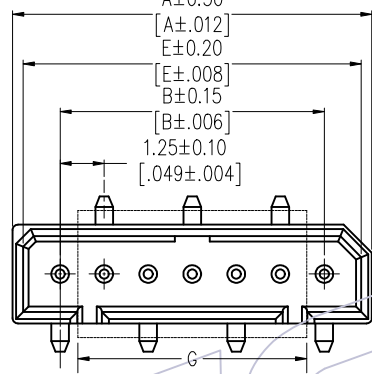
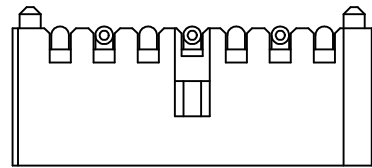


# HSF

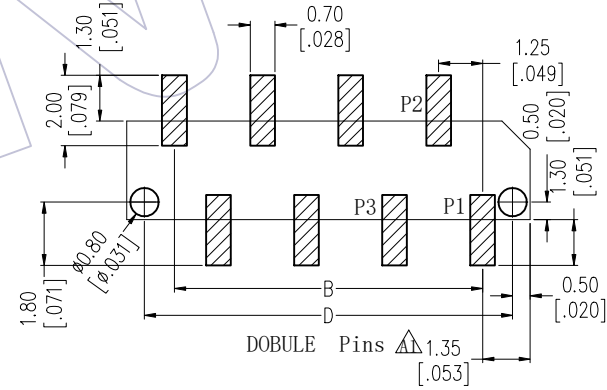
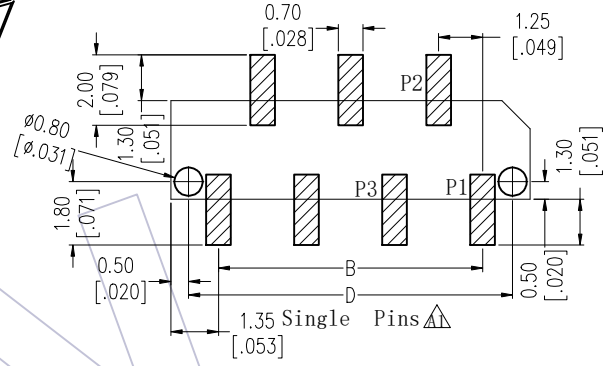
**NOTES:**

Voltage Rating: 50V AC/DC  
 Current Rating: 0.5AMP  
 Contact Resistance: 20mΩ max  
 Withstand Voltage: 500V AC/Minute  
 Insulation Resistance: 500MΩ min  
 Operation Temperature: -40°C to +105°C

Contact Material: Brass  
 Contact Plating: 100~200u"Matte Tin Plated Over  
 50~100u" Nickel  
 Insulator Material: PA9T+33%GF UL94V-0 BLACK



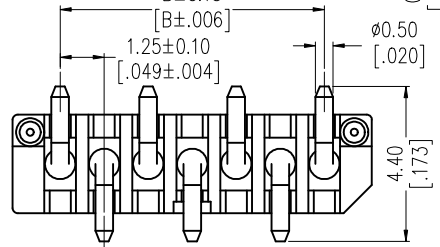
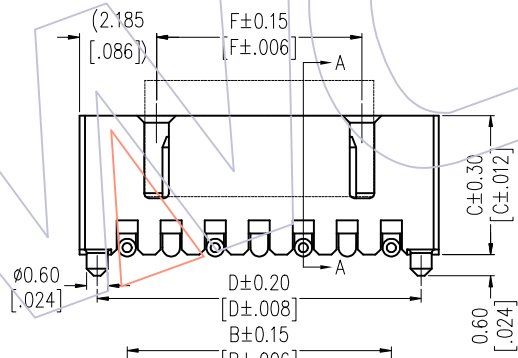
**Recommended P. C. B Layout (Top Side)**  
 (PCB BOARD TOLERANCE ±0.05)



## Ordering Information

3652- P XXX - XXX XX R0X

- No. of Pins: 004: 04 Pin, 005: 05 Pin, 006: 06 Pin, 007: 07 Pin, 008: 08 Pin, 010: 10 Pin, 017: 17 Pin, 020: 20 Pin
- Height of Housing: 039: 3.95, 059: 5.95
- Plating: G0=Gold Flash, G3=10u"Gold, G4=15u"Gold, G5=30u"Gold, SM=Matle Tin
- Packing: R=Tape&Reel



Pos	Part No.	DIM G
4-5PIN	CAP3652-G102	3.80
6-20PIN	CAP3652-G101	6.50

3652-PXXX-XXXXXR01	W/O POST
3652-PXXX-XXXXXR02	W/T POST

PIN	4-10P	11-20P
M	0.10	0.15

22.08	25.85	25.45	5.95	23.75	26.45	20
18.33	22.10	21.70		20.00	22.70	17
9.58	13.35	12.95	3.95	11.25	13.95	10
7.08	10.85	10.45		8.75	11.45	8
5.83	9.60	9.20	7.50	10.20	7	
4.58	8.35	7.95	6.25	8.95	6	
3.33	7.10	6.70	5.00	7.70	5	
2.08	5.85	5.45	3.75	6.45	4	
F	E	D	C	B	A	PIN数

REV	DATE	MODIFICATION DESCRIPTION	CHANGE	OPERATION	DRAW	DATE	SCALE	FIT	PART NO.
A3	2021.11.13	Modify Drawing	----	OPERATION	XSR	2021.11.13	UNIT	mm	3652-PXXX-XXXXR0X
A2	2018.11.13	Modify	----	X.X ±0.40	CHECK	DATE	SIZE	A4	TITLE:
A1	2018.01.26	Modify	----	X.XX ±0.25	APPROVE	DATE	SHEET	1/2	1.25mm BTB MALE CONN, SMT TYPE
A0	2016.10.25	NEW	----	X.XXX ±0.15	Angle ± 3'	DATE	PROJ.	Customer NO.	
				DIM TOL					

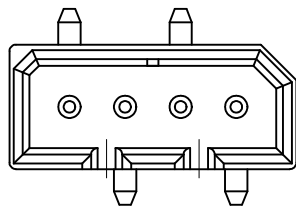
**WCON**  
 Http: www.wcon.com

WCON-Dongguan  
 Tel: +86 769 85358920  
 Fax: +86 769 85358915  
 E-mail: sales@wcon.com

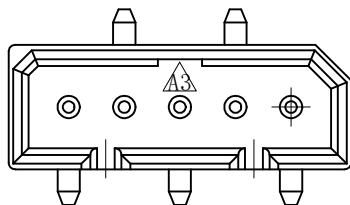
WCON-Kunshan  
 Tel: +86 512 57468408  
 Fax: +86 512 57468468  
 E-mail: salesks@wcon.com

# HSF

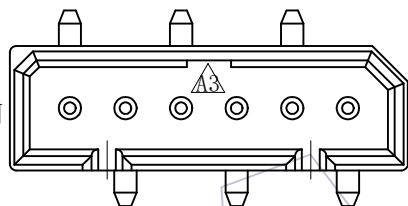
4PIN



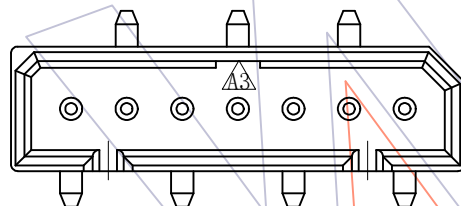
5PIN



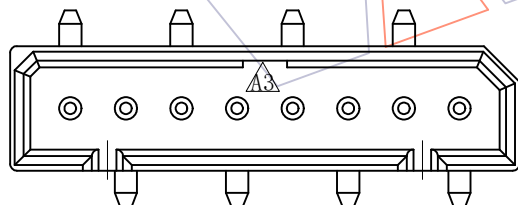
6PIN



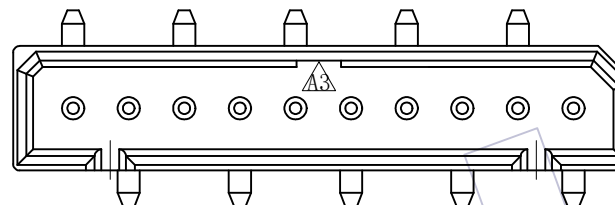
7PIN



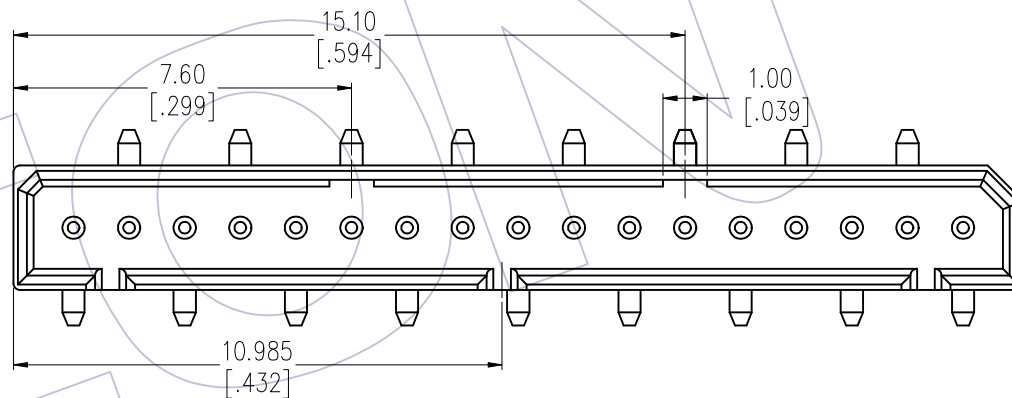
8PIN



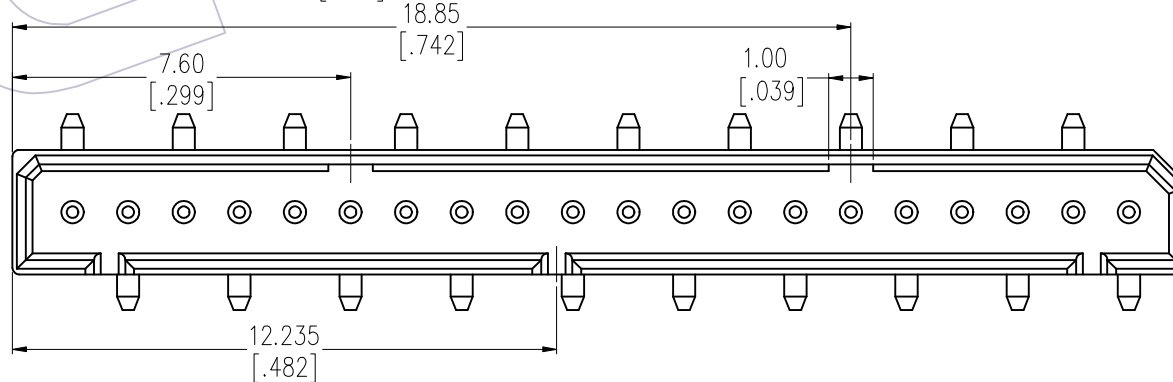
10PIN




17 PIN



20 PIN



A3	2021. 11. 13	Correct Drawing	----	OPERATION		DRAW	DATE	SCALE	FIT	PART NO.		 <a href="http://www.wcon.com">Http: www.wcon.com</a> WCON-Dongguan Tel: +86 769 85358920 WCON-Kunshan Tel: +86 512 57468408 Fax: +86 769 85358915 E-mail: sales@wcon.com E-mail: salesks@wcon.com
A2	2018. 11. 13	Modify	----	X.X	±0.40	XSR	2021. 11. 13	UNIT	mm	3652-PXXX-XXXXXROX		
A1	2018. 01. 26	Modify	----	X.XX	±0.25	CHECK	DATE	SIZE	A4	TITLE:		
A0	2016. 10. 25	NEW	----	X.XXX	±0.15	APPROVE	DATE	SHEET	2/2	1. 25mm BTB MALE CONN, SMT TYPE		
REV	DATE	MODIFICATION DESCRIPTION	CHANGE	Angle DIM	± 3' TOL			PROJ.	↗	Customer NO.		