

HSF

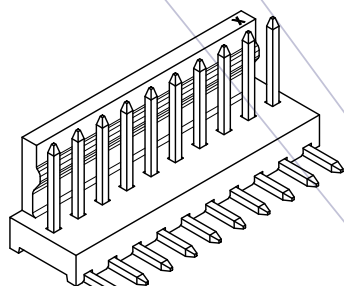
NOTES:

Current Rating: 3.0AMP
 Contact Resistance: 20m Ω Max
 Withstand Voltage: 1000V AC/minute
 Insulation Resistance: 1000M Ω Min
 Operation Temperature: -40°C to +105°C

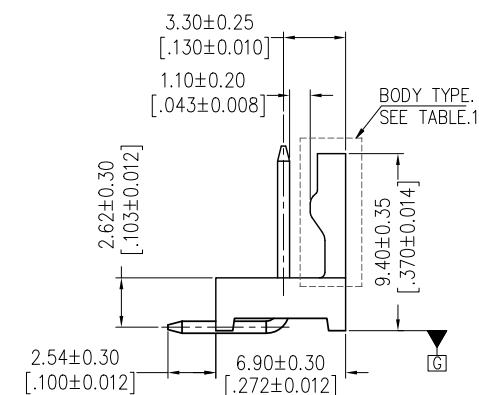
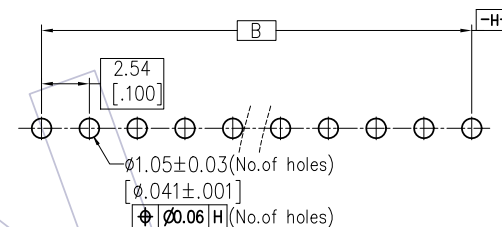
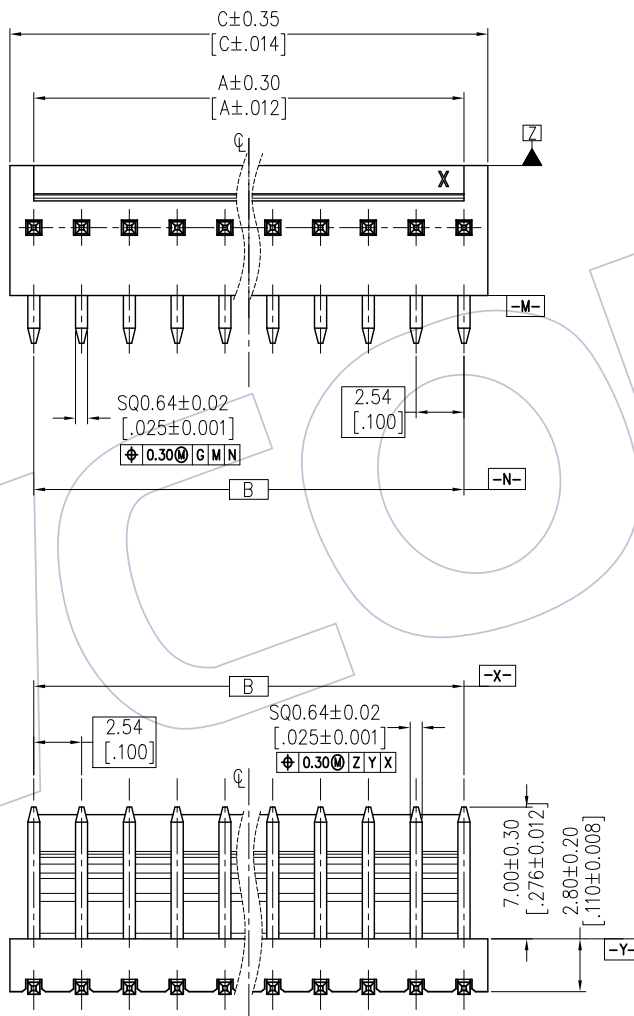
Contact Material: Copper Alloy
 Contact plating: See Ordering Information
 Insulator Material: PA66,G.F,UL94V-0,WHITE.

Recommended Process:
 Wave Soldering, Peak temperature: 235±5°C

Recommended P.C.B Layout(Top Side)
 (PCB BOARD TOLERANCE±0.05)
 PCB BOARD THICKNESS: 1.6~2.0



3D VIEW



REV	DATE	MODIFICATION DESCRIPTION	CHANGE	OPERATION		DRAW	DATE	SCALE	FIT	PART NO.
				X.X	±0.40					
A1	2020/04/16	Add Contact plating "S4" and "G4"	Andrey	X.XX	±0.25	Andrey	2020/04/16	UNIT	mm inch	WF2545-AWRXXXW02
A0	2020/04/06	NEW	Andrey	X.XXX	±0.15	CHECK	DATE	SIZE	A4	TITLE: 2.54mm Wafer R/A Single Row, Not Breakable, Dip Height=2.54mm
				Angle	± 3'	APPROVE	DATE	SHEET	1/3	Customer NO.
				DIM	TOL			PROJ.		

Http: www.wcon.com

WCON-Dongguan Tel: +86 769 85358920 Fax: +86 769 85358915 E-mail: sales@wcon.com	WCON-Kunshan Tel: +86 512 57468408 Fax: +86 512 57468468 E-mail: salesks@wcon.com
---	--

HSF

Ordering Information

WF 2545 -A WR XX XX W 0 2

Company Code

Product Series Code:
254= 2.54mm Pitch
5= Fifth series

Body Type:
See Table.1

Type Code:
WR=90° DIP

No. of pins:
02~36Pin

Contact Plating
 ▲ S4=15u" Gold Plated On Contact Area,
 80u" Min Bright Tin Plated On Ni Plated
 50u" Min Nickel Plated Overall

▲ G4=15u" Gold Over 50u" Nickel

Blank:
Full Bright Tin 80u" Min Plated Overall

Wcon Internal Code

1~9

Packing
0=PE Bag

Housing Color

W=White

TABLE 1(BODY TYPE):

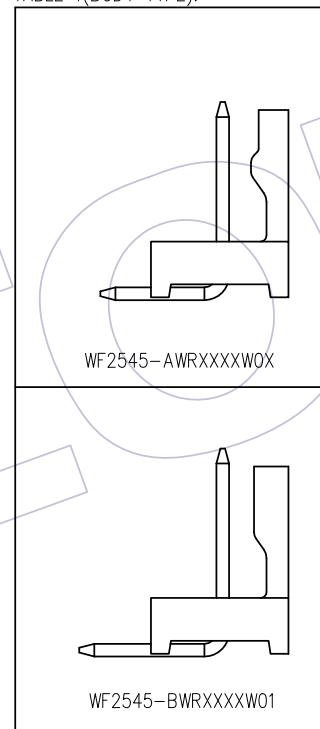


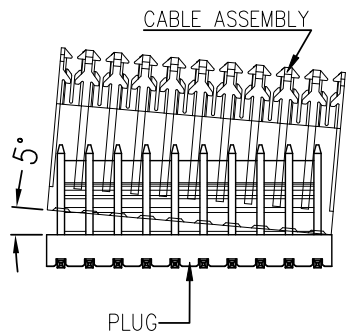
TABLE 2:

Pin No.	Part Number	Dim.A	Dim.B	Dim.C
2P	WF2545-AWR02XXW02	2.54	2.54	5.08
3P	WF2545-AWR03XXW02	5.08	5.08	7.62
4P	WF2545-AWR04XXW02	7.62	7.62	10.16
5P	WF2545-AWR05XXW02	10.16	10.16	12.70
6P	WF2545-AWR06XXW02	12.70	12.70	15.24
7P	WF2545-AWR07XXW02	15.24	15.24	17.78
8P	WF2545-AWR08XXW02	17.78	17.78	20.32
9P	WF2545-AWR09XXW02	20.32	20.32	22.86
10P	WF2545-AWR10XXW02	22.86	22.86	25.40
11P	WF2545-AWR11XXW02	25.40	25.40	27.94
12P	WF2545-AWR12XXW02	27.94	27.94	30.48
13P	WF2545-AWR13XXW02	30.48	30.48	33.02
14P	WF2545-AWR14XXW02	33.02	33.02	35.56
15P	WF2545-AWR15XXW02	35.56	35.56	38.10
16P	WF2545-AWR16XXW02	38.10	38.10	40.64
17P	WF2545-AWR17XXW02	40.64	40.64	43.18
18P	WF2545-AWR18XXW02	43.18	43.18	45.72
19P	WF2545-AWR19XXW02	45.72	45.72	48.26
20P	WF2545-AWR20XXW02	48.26	48.26	50.80
21P	WF2545-AWR21XXW02	50.80	50.80	53.34
22P	WF2545-AWR22XXW02	53.34	53.34	55.88
23P	WF2545-AWR23XXW02	55.88	55.88	58.42
24P	WF2545-AWR24XXW02	58.42	58.42	60.96
25P	WF2545-AWR25XXW02	60.96	60.96	63.50
26P	WF2545-AWR26XXW02	63.50	63.50	66.04
27P	WF2545-AWR27XXW02	66.04	66.04	68.58
28P	WF2545-AWR28XXW02	68.58	68.58	71.12
29P	WF2545-AWR29XXW02	71.12	71.12	73.66
30P	WF2545-AWR30XXW02	73.66	73.66	76.20
31P	WF2545-AWR31XXW02	76.20	76.20	78.74
32P	WF2545-AWR32XXW02	78.74	78.74	81.28
33P	WF2545-AWR33XXW02	81.28	81.28	83.82
34P	WF2545-AWR34XXW02	83.82	83.82	86.83
35P	WF2545-AWR35XXW02	86.83	86.83	88.90
36P	WF2545-AWR36XXW02	88.90	88.90	91.44

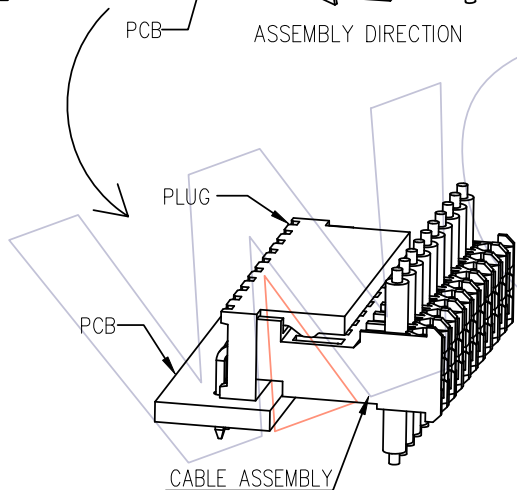
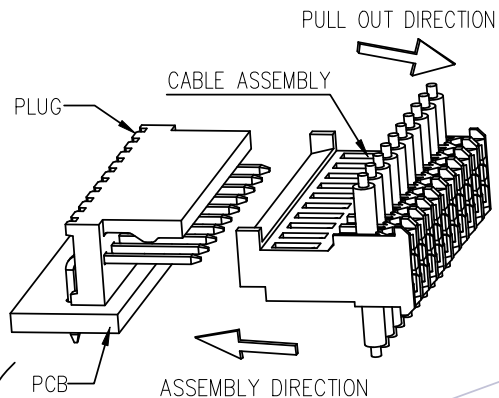
REV	DATE	MODIFICATION DESCRIPTION	CHANGE	OPERATION		DRAW	DATE	SCALE	FIT	PART NO.	TITLE:	WCON	
				X.X	±0.40							Http: www.wcon.com	
A1	2020/04/16	Add Contact plating "S4" and "G4" ▲	Andrey	X.XX	±0.25	Andrey	2020/04/16	UNIT	mm inch	WF2545-AWRXXXXW02	2.54mm Wafer R/A Single Row, Not Breakable, Dip Height=2.54mm	WCON-Dongguan	WCON-Kunshan
A0	2020/04/06	NEW	Andrey	X.XXX	±0.15	Andrey		SIZE	A4			Tel: +86 769 85358920	Tel: +86 512 57468408
				Angle	± 3'			SHEET	2/3			Fax: +86 769 85358915	Fax: +86 512 57468468
				DIM	TOL			PROJ.	⌀			E-mail: sales@wcon.com	E-mail: salesks@wcon.com

HSF

ALLOWED ANGULAR INCLINATION
TOLERANCES LONGITUDINAL: $\pm 5^\circ$



DYNAMIC USE HINT:



ASSEMBLY COMPLETION STATUS

PLUG-1	ADAPTATION CABLE ASSEMBLY	PLUG-2
	<p>CABLE</p> <p>STAY-SAFE</p> <p>PART NO.: WF2545-XXHIEXBT01</p>	
	<p>CABLE</p> <p>NOT STAY-SAFE</p> <p>PART NO.: WF2545-XXHIEXBT02</p>	
<p>WF2545-AWRXXXXW0X</p>	<p>CABLE</p> <p>STAY-SAFE</p> <p>PART NO.: WF2545-XXHITXBT01</p>	<p>WF2545-BWRXXXXW01</p>
	<p>CABLE</p> <p>NOT STAY-SAFE</p> <p>PART NO.: WF2545-XXHITXBT02</p>	

REV	DATE	MODIFICATION DESCRIPTION	CHANGE	OPERATION		DRAW	DATE	SCALE	FIT	PART NO.
				X.X	± 0.40					
A1	2020/04/16	Add Contact plating "S4" and "G4"	Andrey	X.XX	± 0.25	Andrey	2020/04/16	UNIT	$\frac{\text{mm}}{\text{inch}}$	WF2545-AWRXXXXW02
A0	2020/04/06	NEW	Andrey	X.XXX	± 0.15	CHECK	DATE	SIZE	A4	TITLE: 2.54mm Wafer R/A Single Row, Not Breakable, Dip Height=2.54mm
				Angle	$\pm 3^\circ$	APPROVE	DATE	SHEET	3/3	Customer NO.
				DIM	TOL			PROJ.		

WCON

Http: www.wcon.com

WCON-Dongguan
Tel: +86 769 85358920
Fax: +86 769 85358915
E-mail: sales@wcon.com

WCON-Kunshan
Tel: +86 512 57468408
Fax: +86 512 57468468
E-mail: salesks@wcon.com