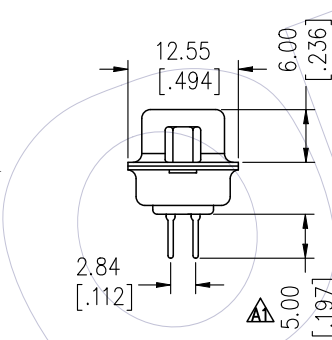
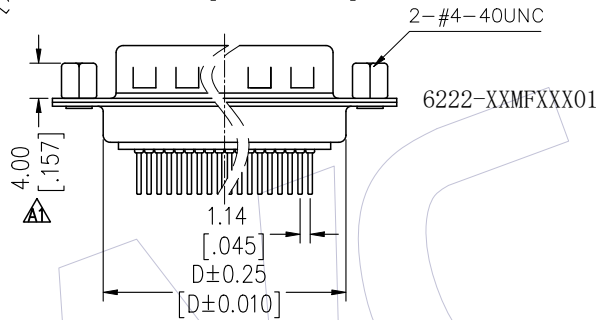
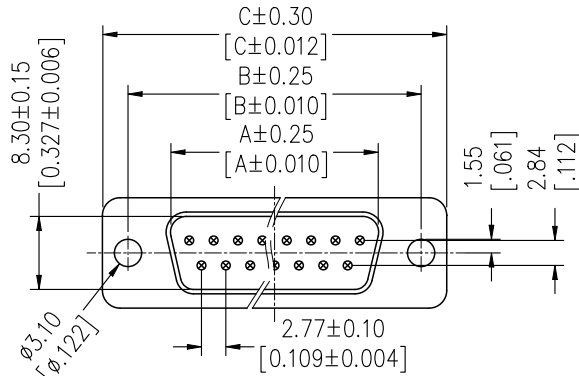
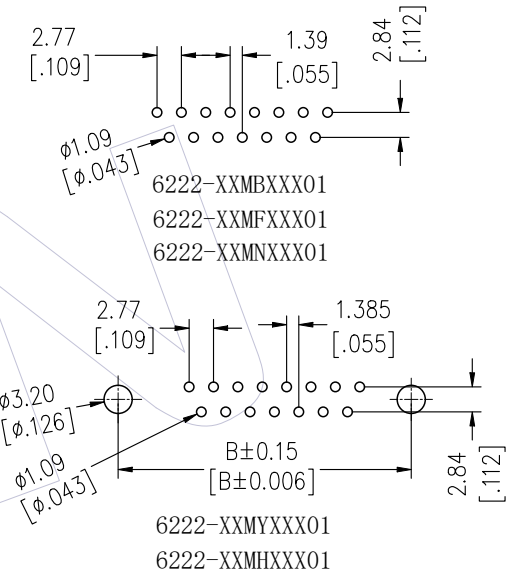


NOTES:  
 Current Rating: 3.0AMP  
 Contact Resistance: 20mΩ Max  
 Withstand Voltage: 500V AC/DC  
 Insulation Resistance: 1000MΩ Min  
 Operation Temperature: -55℃ to +105℃

Contact Material: Phosphor Bronze/Brass  
 Contact plating: Au Or Sn over Ni  
 Insulator Material: PBT+30%G.F UL94V-0  
 Sheel: Cold Roller Steel, Ni Or Sn Plated  
 Nut: Brass, Sn Over Ni Plated



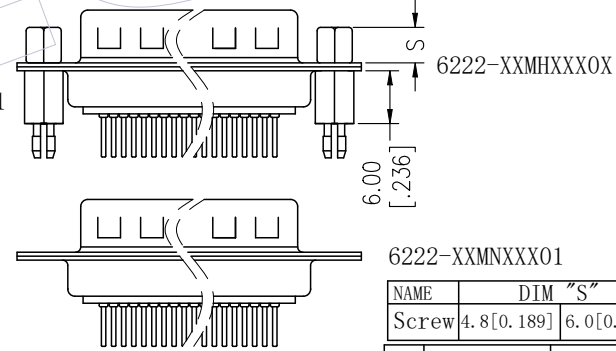
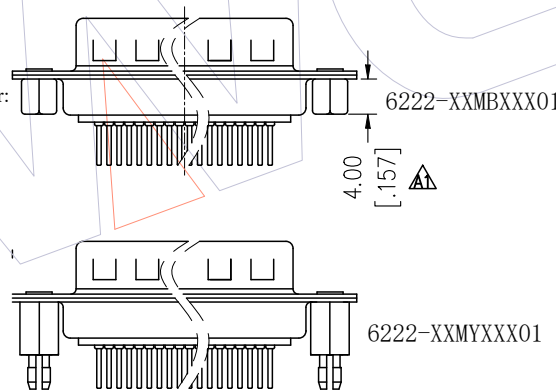
Recommended P.C.B Layout (Top Side)  
 (PCB BOARD TOLERANCE ±0.05)



## Ordering Information

6222- XX M X XX B 0X

No. of Pins:	Type:	Contact Plating:	Insulator Color:
9P	Y: With Back Fork	S0=Gold Flash/Tin	W= White
15P	B: With Back Nut	S3=10u"Gold/Tin	B= Black
25P	F: With Front Nut	S4=15u"Gold/Tin	U= Blue
37P	H: With Front Screw With Back Fork	S5=30u"Gold/Tin	SN= Tin
	N: Without Fork Without Nut		



6222-XXMNXXX01

NAME	DIM "S"	
Screw	4.8 [0.189]	6.0 [0.236]

PIN	DIM "A"	DIM "B"	DIM "C"	DIM "D"
09	16.92 [0.666]	24.99 [0.984]	30.81 [1.213]	19.28 [0.759]
15	25.25 [0.994]	33.32 [1.312]	39.14 [1.541]	27.65 [1.089]
25	38.96 [1.534]	47.04 [1.852]	53.04 [2.088]	41.30 [1.626]
37	55.42 [2.182]	63.50 [2.500]	69.32 [2.729]	57.44 [2.261]

REV	DATE	MODIFICATION DESCRIPTION	CHANGE	OPERATION	DRAW	DATE	SCALE	FIT	PART NO.
A1	2019/05/15	Modify DIP	-----	x.x ±0.40	Ding	2019/05/15	UNIT mm		6222-XXMXXX0X
A0	2012/12/05	NEW	-----	x.xx ±0.25	CHECK	DATE	SIZE A4		TITLE: D-SUB MALE DUAL ROW 180° DIP
				x.xxx ±0.15			SHEET 1/1		Customer NO.
				Angle ± 3°	APPROVE	DATE	PROJ.		
				DIM TOL					

**WCON**

Http: www.wcon.com

WCON-Dongguan Tel: +86 769 85358920 Fax: +86 769 85358915 E-mail: sales@wcon.com	WCON-Kunshan Tel: +86 512 57468408 Fax: +86 512 57468468 E-mail: salesks@wcon.com
---	--