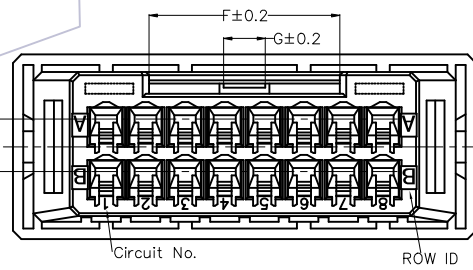
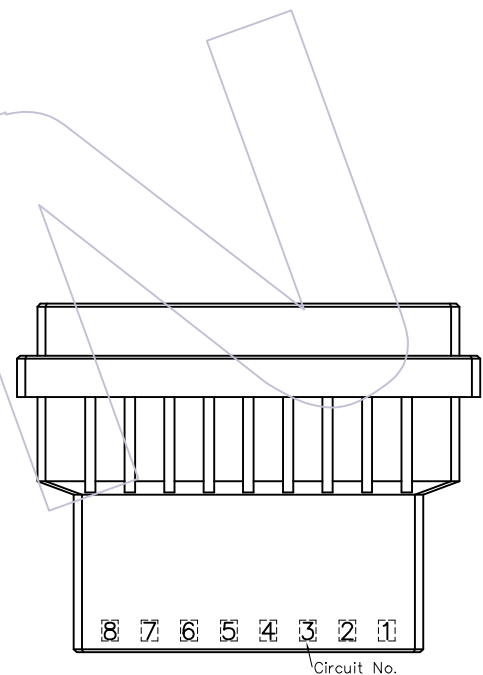
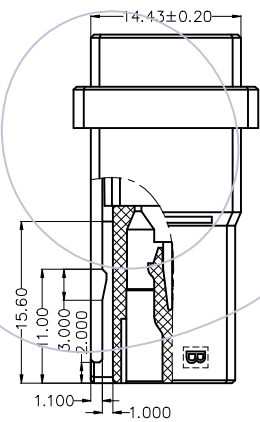
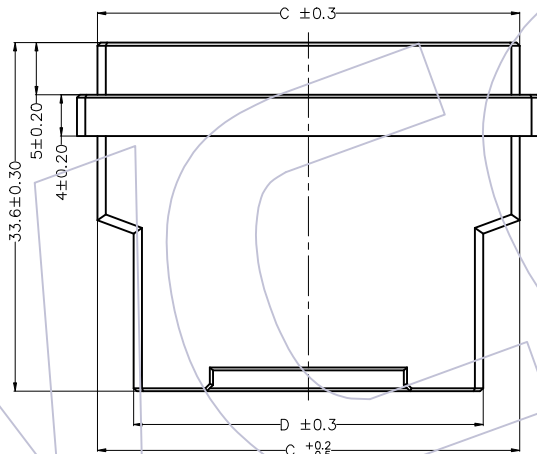
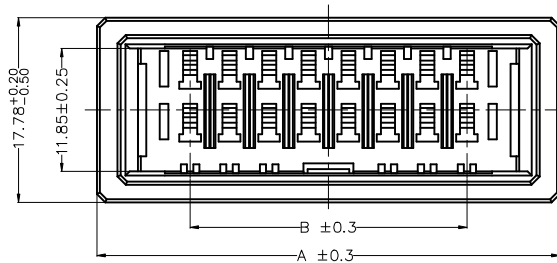


HSF

NOTES:

1. Voltage Rating: 250V AC ;
2. Withstand Voltage: 1500V AC;
3. Insulation Resistance: 1000MΩ Min;
4. Operating Temperature: -55°C to +105°C;
5. Insulator Material: PBT,G.F,UL94V-0,BK;
6. Mating Terminal: WD3810-MTD4XXXXXX



Ordering Information

WD3810 -2 HK XX B 0 10

Row:
2=Dual

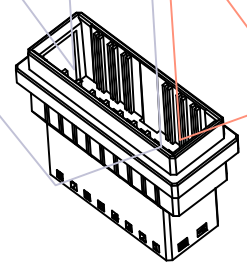
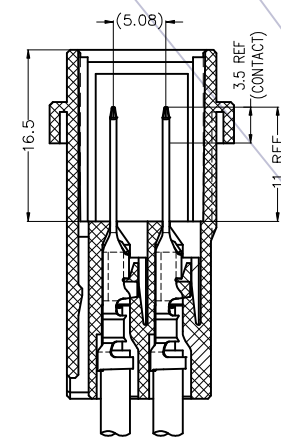
Tap Housing
Free Hanging Type

No of Pins Per Row:
03=3Pin,04=4Pin,
05=5Pin,06=6Pin,
08=8Pin,10=10Pin

Housing Color:
B=Black

Foolproof Type:
10=Symmetrical

Packing:
0=PE Bag



Part Number	Pos.	A	B	C	D	F	G
WD3810-2HK03B010	6	25.57	7.62	21.62	14.62	8.4	2.0
WD3810-2HK04B010	8	29.38	11.43	25.43	18.43	8.4	2.0
WD3810-2HK05B010	10	33.19	15.24	29.24	22.24	18.4	4.0
WD3810-2HK06B010	12	37.0	19.05	33.05	26.05	18.4	4.0
WD3810-2HK08B010	16	44.62	26.67	40.67	33.67	18.4	4.0
WD3810-2HK10B010	20	52.24	34.29	48.29	41.29	18.4	4.0

OPERATION		DRAW		DATE		SCALE		FIT		PART NO.	
x.X	±0.40	Houfu Peng		2021.12.28		UNIT		mm		WD3810-2HKXXB010	
x.XX	±0.25	CHECK		DATE		SIZE		A4		TITLE:	
x.XXX	±0.15	APPROVE		DATE		SHEET		1/1		3.81*5.08mm Tab Housing Dual Row (Free Hanging Type)	
Angle	± 3'					PROJ.		Customer NO.		Customer NO.	
DIM	TOL									Customer NO.	

WCON
[Http: www.wcon.com](http://www.wcon.com)
 WCON-Dongguan WCON-Kunshan
 Tel: +86 769 85358920 Tel: +86 512 57468408
 Fax: +86 769 85358915 Fax: +86 512 57468468
 E-mail: sales@wcon.com E-mail: sales@wcon.com