

# HSF

- NOTES:
- 1.Voltaget Rating:250V AC ;
  - 2.Withstand Voltage: 1500V AC;
  - 3.Insulation Resistance: 1000MΩ Min;
  - 4.Operating Temperature: -55°C to +105°C;
  - 5.Insulator Material: PBT,G.F,UL94V-0,BK;
  - 6.Panel Attachment Recommendation M3 Screw;
  - 7.Mating Terminal: WD3810-MTD4XXXXXX

## Ordering Information

WD3810 -2 HG XX B Q 10

Row:  
2=Dual

Tap Housing  
Panel Type

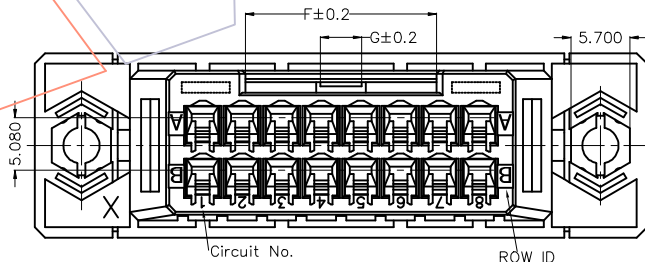
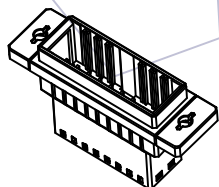
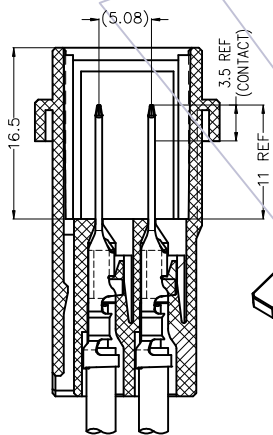
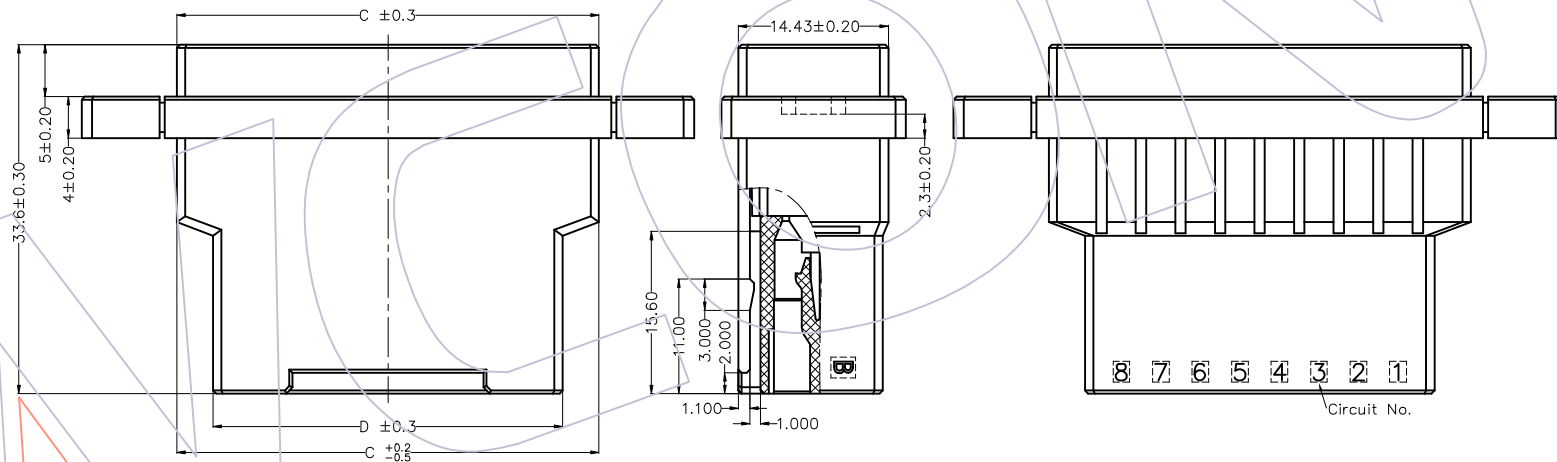
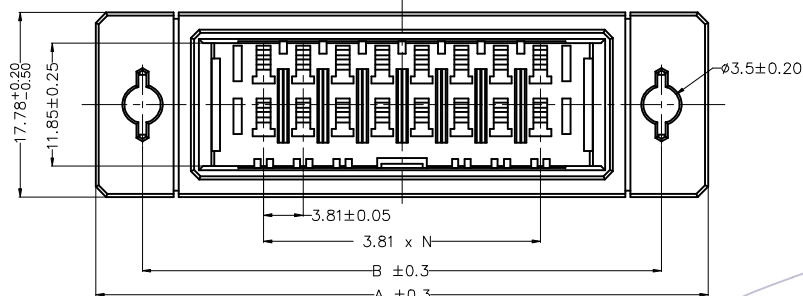
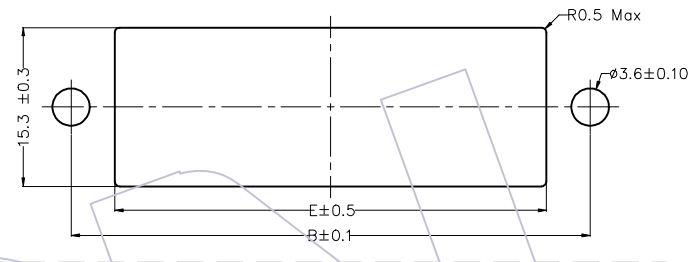
No of Pins Per Row:  
03=3Pin,05=5Pin,  
06=6Pin,08=8Pin,  
10=10Pin

Housing Color:  
B=Black

Foolproof Type:  
10=Symmetrical

Packing:  
0=PE Bag

## RECOMMENDED PANEL LAYOUT



Part Number	Pos.	A	B	C	D	E	F	G	N
WD3810-2HG03B010	6	40.0	31.0	21.62	14.62	22.6	8.4	2.0	2
WD3810-2HG05B010	10	47.0	38.0	29.24	22.24	30.2	18.4	4.0	4
WD3810-2HG06B010	12	51.0	42.0	33.05	26.05	34.0	18.4	4.0	5
WD3810-2HG08B010	16	59.0	50.0	40.67	33.67	41.6	18.4	4.0	7
WD3810-2HG10B010	20	67.0	58.0	48.29	41.29	49.2	18.4	4.0	9

OPERATION

DRAW

DATE

SCALE

FIT

PART NO.

WD3810-2HGXXB010

X.X ±0.30

Houfu Peng

2021.08.18

UNIT

mm

TITLE:

3.81\*5.08mm Tab Housing Dual

X.XX ±0.25

CHECK

DATE

SIZE

A4

Row (Panel Type)

X.XXX ±0.2

APPROVE

DATE

SHEET

1/1

Customer NO.

Angle ± 3°

DIM

TOL

PROJ.

⌀

REV

DATE

MODIFICATION DESCRIPTION

CHANGE

Customer NO.

# WCON

Http: www.wcon.com

WCON-Dongguan

Tel: +86 769 85358920

Fax: +86 769 85358915

E-mail: sales@wcon.com

WCON-Kunshan

Tel: +86 512 57468408

Fax: +86 512 57468468

E-mail: salesks@wcon.com

A0 2021.08.18

NEW

Houfu Peng

REV DATE

MODIFICATION DESCRIPTION

CHANGE

Customer NO.

Customer NO.

Customer NO.