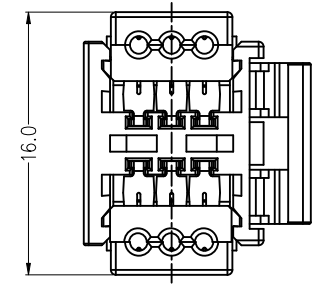
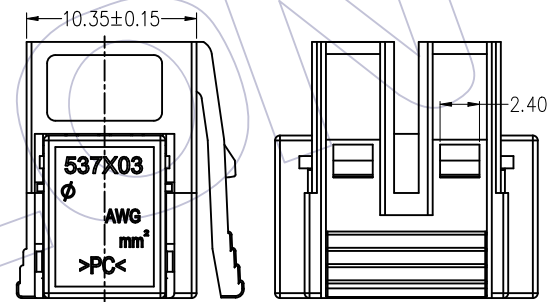
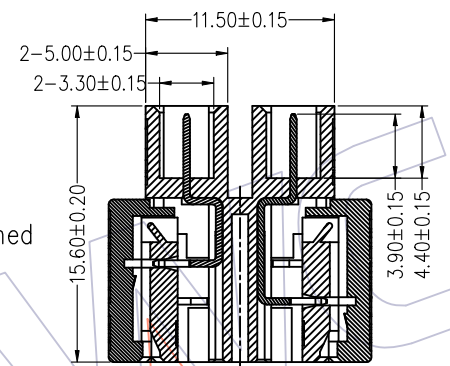
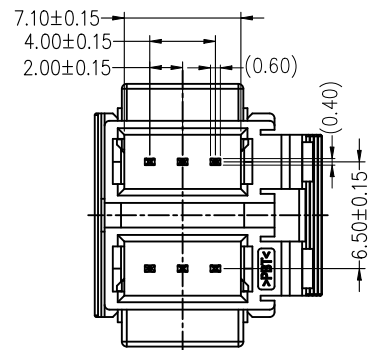
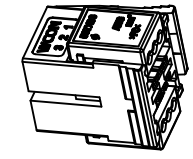


HSF

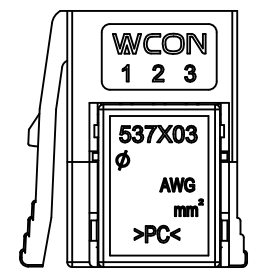
Current Rating: 3.0A
 Voltage Rating: 32V
 Insulation Resistance: 1000MΩ min 500V DC
 Withstanding Voltage: 1000V
 Operation Temperature: -20°C to +85°C
 Insulation
 Material: Glass Reinforced Thermoplastic Body&Lower Cover, Transparent Thermoplastic Cover
 Flammability: UL94V-0
 Color: Black Body, Cover-White&Color(see Table 1)
 Contact
 Material: Copper Alloy
 Plating
 Underplating: 50-100u" Nickel
 Wiping Area: Gold with Lubricant
 IDC: 80-300u" Matte Tin
 Wire Accomodation: Copper Alloy, 7-19 Bare and Tinned Strands, 0.14-0.50mm², 20-26AWG
 Wire Insulation: Flexible Vinyl, Semi-Flexible Vinyl, Polyethylene, or PTFE For approved cables



Wire OD	1.6~2.0	1.2~1.6	1.0~1.2	0.80~1.0
Wire Size	20-22AWG	20-22AWG	20-22AWG	
Cover Color	Gray	Blue	Green	
Wire Size		24-26AWG	24-26AWG	24-26AWG
Cover Color		Orange	Yellow	Red



SCALE: 0.5:1



Ordering Information

5371 - 2 03 SX XXX X X XX X

DOUBLE ROW
 Pin 03=3P

Terminal Plating
 S0=Gold Flash/Tin
 S1=3u"Gold/Tin
 S2=5u"Gold/Tin
 S3=10u"Gold/Tin
 S4=15u"Gold/Tin
 S5=30u"Gold/Tin

Cover Color
 U12=Blue
 G16=Gray
 E10=Green
 O12=Orange
 R08=Red
 Y10=Yellow

LOCK
 N=W/O LOCK
 W=W/T LOCK

LOGO
 NA
 W=With WCON LOGO
 M=Customer'S LOGO

Series No.
 01-99

Packing
 T=Tube
 R=Tape&Reel
 A=Tray
 O=PE Bag

REV	DATE	MODIFICATION DESCRIPTION	CHANGE	OPERATION	DRAW	DATE	SCALE	FIT	PART NO.
				X. X ±0.40	Kair	2020/12/01	UNIT mm		5371-203SXXXWX01X
				X. XX ±0.25	CHECK	DATE	SIZE A4		TITLE:
				X. XXX ±0.15	APPROVE	DATE	SHEET 1/2		2.0mm Mini Clamp Plug 6p
				Angle ± 3°			PROJ.		Customer NO.
				DIM TOL					

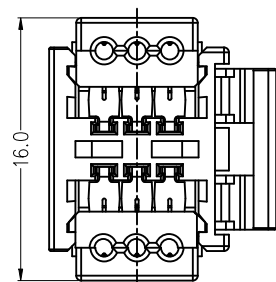
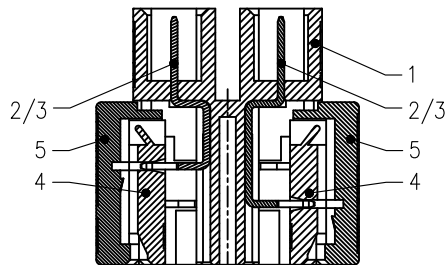
WCON

Http: www.wcon.com

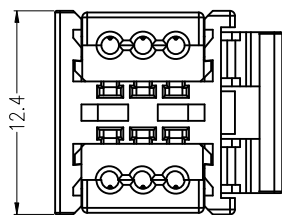
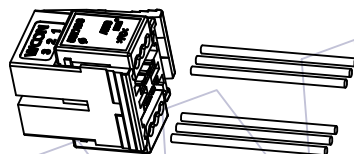
WCON-Dongguan Tel: +86 769 85358920 Fax: +86 769 85358915 E-mail: sales@wcon.com

WCON-Kunshan Tel: +86 512 57468408 Fax: +86 512 57468468 E-mail: salesks@wcon.com

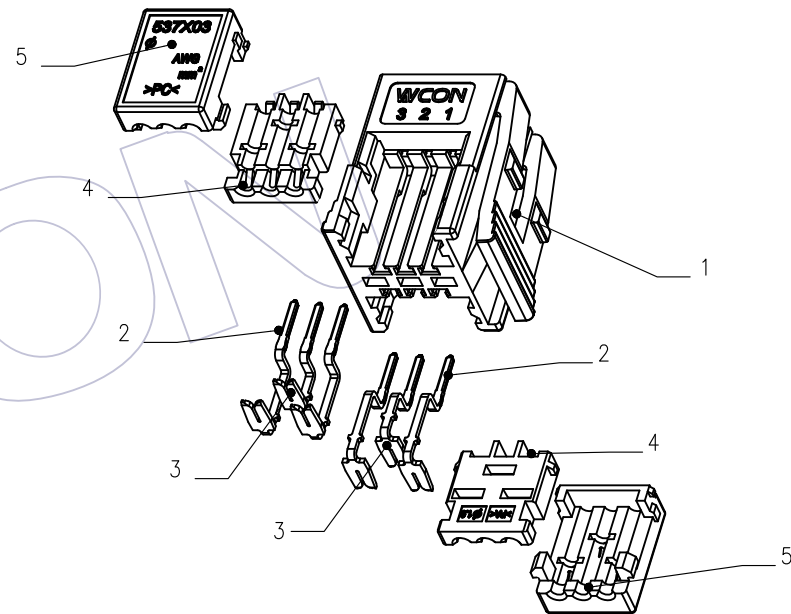
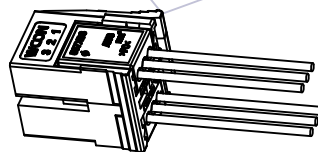
HSF



Before Termination



After Termination



5	TOP Cover	G5371-103TXN0X	PC	2
4	Bottom Cover	G5371-103BWN0X	PA66	2
3	Short Contact	T5371-BXXS0X	C2680	2
2	Long Contact	T5371-BXXL0X	C2680	4
1	Housing	G5371-203ABW01X	PBT	1
No.	Part Name	Part No.	Material	Q' TY

				OPERATION	DRAW	DATE	SCALE	FIT	PART NO.
				X.X ±0.40	Kair	2020/12/01	UNIT	mm	5371-203SXXXXWX01X
				X.XX ±0.25	CHECK	DATE	inch	SIZE	
				X.XXX ±0.15			SHEET	A4	TITLE:
A0	2020/12/01	NEW	Kair	Angle ± 3°	APPROVE	DATE	2/2		2.0mm Mini Clamp Plug 6p
REV	DATE	MODIFICATION DESCRIPTION	CHANGE	DIM TOL			PROJ.		Customer NO.

WCON

Http: www.wcon.com

WCON-Dongguan WCON-Kunshan
 Tel: +86 769 85358920 Tel: +86 512 57468408
 Fax: +86 769 85358915 Fax: +86 512 57468468
 E-mail: sales@wcon.com E-mail: salesks@wcon.com