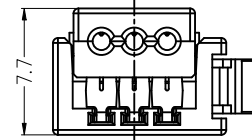
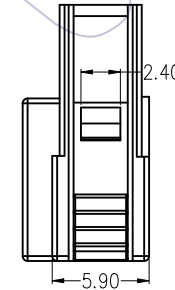
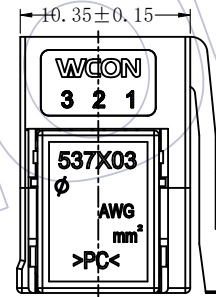
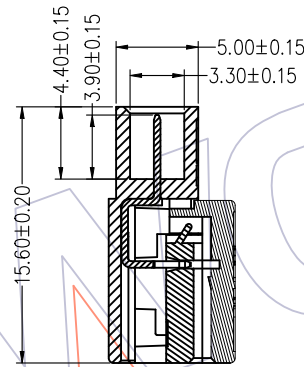
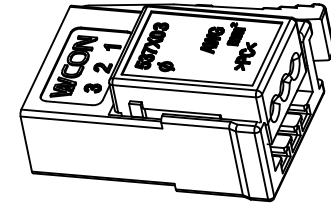
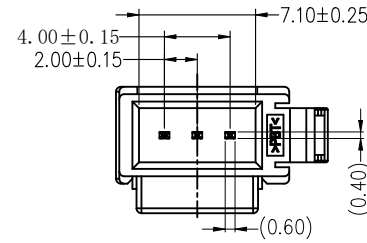


HSF

Current Rating: 3.0A Max
 Voltage Rating: 32V
 Insulation Resistance: 1000MΩ min 500V DC
 Withstanding Voltage: 1000V AC
 Operation Temperature: -20°C to +85°C
 Insulation
 Material: Glass Reinforced Thermoplastic Body&Lower Cover, Transparent Thermoplastic Cover
 Flammability: UL94V-0
 Color: Black Body, Cover-White&Color(see Table 1)
 Contact
 Material: Copper Alloy
 Plating
 Underplating: 50-100u" Nickel
 Wiping Area: Gold with Lubricant
 IDC: 80-300u" Matte Tin
 Wire Accomodation: Copper Alloy, 7-19 Bare and Tinned Strands, 0.14-0.50mm², 20-26AWG
 Wire Insulation: Flexible Vinyl, Semi-Flexible Vinyl, Polyethylene, or PTFE For approved cables

Wire OD	1.6~2.0	1.2~1.6	1.0~1.2	0.80~1.0
Wire Size	20-22AWG	20-22AWG	20-22AWG	
Cover Color	Gray	Blue	Green	
Wire Size		24-26AWG	24-26AWG	24-26AWG
Cover Color		Orange	Yellow	Red



Ordering Information

5371 - 1 03 SX XXX X X XX X

SINGLE ROW

Pin
03=3P

LOCK

N=W/O LOCK
W=W/T LOCK

Series No.
01-99

Packing
T=Tube
R=Tape&Reel
A=Tray
O=PE Bag

Terminal Plating
S0=Gold Flash/Tin
S1=3u"Gold/Tin
S2=5u"Gold/Tin
S3=10u"Gold/Tin
S4=15u"Gold/Tin
S5=30u"Gold/Tin

Cover Color
U12=Blue
G16=Gray
E10=Green
O12=Orange
R08=Red
Y10=Yellow

LOGO
NA
W=With WCON LOGO
M=Customer'S LOGO

REV	DATE	MODIFICATION DESCRIPTION	CHANGE	OPERATION	DRAW	DATE	SCALE	FIT	PART NO.
A0	2020/12/01	NEW	Kair	X. X ±0.40	Kair	2020/12/01	UNIT	mm inch	5371-103SXXXXWX01X
				X. XX ±0.25	CHECK	DATE	SIZE	A4	TITLE: 2.0mm Mini Clamp Plug 3p
				X. XXX ±0.15	APPROVE	DATE	SHEET	1/2	Customer NO.
				Angle ± 3°			PROJ.		
				DIM TOL					

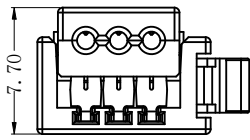
WCON

Http: www.wcon.com

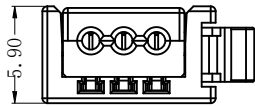
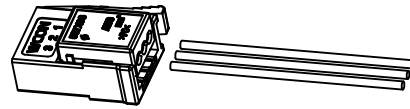
WCON-Dongguan
Tel: +86 769 85358920
Fax: +86 769 85358915
E-mail: sales@wcon.com

WCON-Kunshan
Tel: +86 512 57468408
Fax: +86 512 57468468
E-mail: salesks@wcon.com

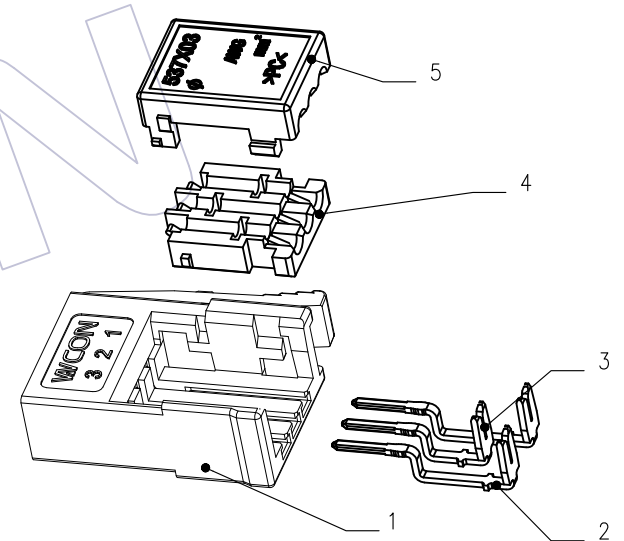
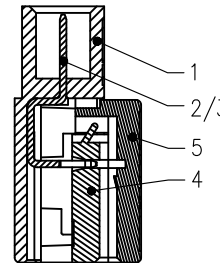
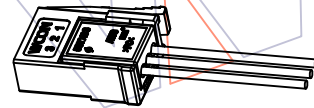
HSF



Before Termination



After Termination



5	TOP Cover	G5371-103BWN0X	PC	1
4	Bottom Cover	G5371-103TXN0X	PA66	1
3	Short Contact	T5371-BXXS0X	C2680	1
2	Long Contact	T5371-BXXL0X	C2680	2
1	Housing	G5371-103ABW01X	PBT	1
No.	Part Name	Part No.	Material	Q'TY

				OPERATION		DRAW	DATE	SCALE	FIT	PART NO.
				X.X	±0.40	Kair	2020/12/01	UNIT	mm	5371-103SXXXXWX01X
				X.XX	±0.25	CHECK	DATE	inch	A4	
				X.XXX	±0.15			SIZE	2/2	TITLE:
A0	2020/12/01	NEW	Kair	Angle	± 3°	APPROVE	DATE	SHEET	2/2	2.0mm Mini Clamp Plug 3p
REV	DATE	MODIFICATION DESCRIPTION	CHANGE	DIM	TOL			PROJ.	⌀	Customer NO.

WCON

Http: www.wcon.com

WCON-Dongguan WCON-Kunshan
 Tel: +86 769 85358920 Tel: +86 512 57468408
 Fax: +86 769 85358915 Fax: +86 512 57468468
 E-mail: sales@wcon.com E-mail: salesks@wcon.com