

HSF

TECHNICAL SPECS:

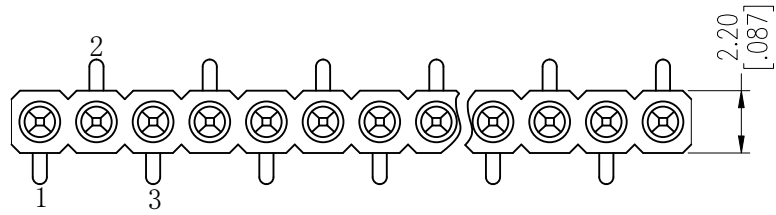
Current Rating: 3.0AMP
 Contact Resistance: 10mΩ Max
 Dielectric Strength: Min 1000VRMS
 Mechanical Life: Min 500 cycles
 Mating Pin: Ø0.40 to Ø0.66mm or 0.50SQ
 Forces: (polished steel gauge Ø0.47mm)
 Insertion: 200g Max/Pin, Withdrawal: 60g Min/Pin
 Operation Temperature: -40°C to +105°C

Sleeve: Brass CuZn36Pb3(C36000), Sn over Ni
 Contact Clip(4 finger): BeCu(C17200), Au or Sn over Ni
 Insulator Material: PPS+30%G.F(UL94V-0)

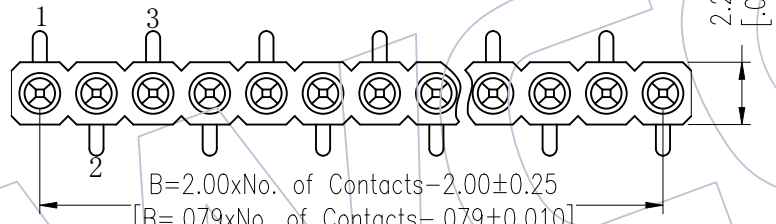
Ordering Information

3522-281 XX M XX 074 X X

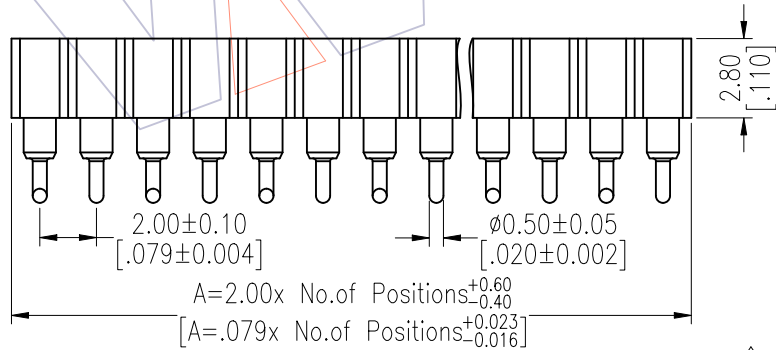
No. of Pin 2-40PIN	Contact Plating S0=Gold Flash/Tin S3=10u"Gold/Tin S4=15u"Gold/Tin S5=30u"Gold/Tin SN=Tin	Packing T=Tube 2=Type 2 R=Tape&Reel	Series No. 1=Type 1 2=Type 2
-----------------------	---------------------------------------------------------------------------------------------------------	-------------------------------------------	------------------------------------



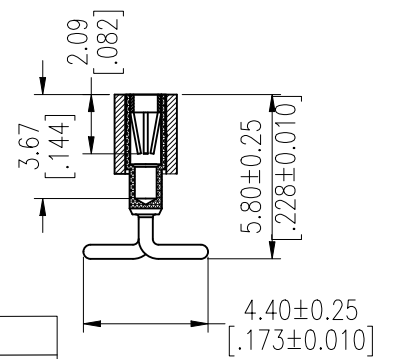
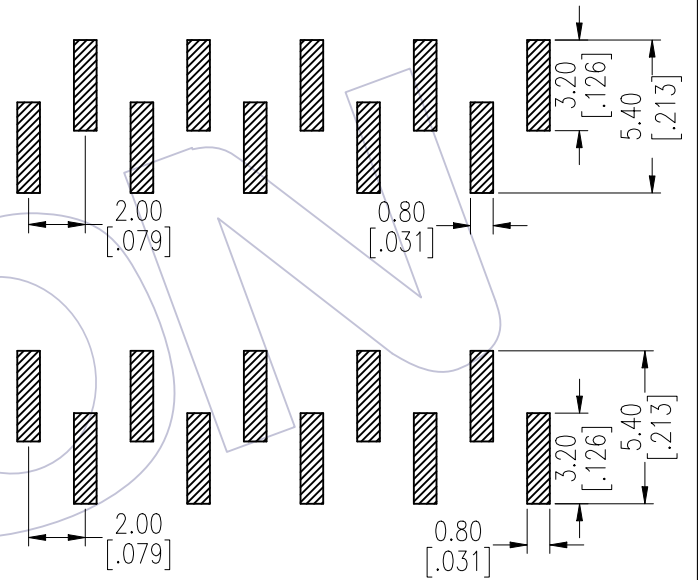
TYPE 1



TYPE 2



Recommended P.C.B Layout(Top Side) (PCB BOARD TOLERANCE±0.05)



NO.of PIN	DIM A
40PIN	2.0*NO.of Positions+1.00±0.40
<40PIN	2.0*NO.of Positions ^{+0.60} _{-0.40}

Item	Pitch	Mating
Standard	2.00	3512
Alternate		

REV	DATE	MODIFICATION DESCRIPTION	CHANGE	OPERATION	DRAW	DATE	SCALE	FIT	PART NO.
A1	2013/05/17	Modify drawing	-----	x.X ±0.40	Wang	2013/05/17	UNIT mm		3522-281XXMX074XX
A0	2012/10/17	NEW	-----	x.XX ±0.25	CHECK	DATE	SIZE A4		TITLE: 2.00mm MACHINED FEMALE HEADER SINGLE ROW SMT H=2.80 L=7.4
				x.XXX ±0.15	APPROVE	DATE	SHEET 1/1		Customer NO.
				Angle ± 3'			PROJ.		
				DIM TOL					

WCON

Http: www.wcon.com

WCON-Dongguan Tel: +86 769 85358920 Fax: +86 769 85358915 E-mail: sales@wcon.com	WCON-Kunshan Tel: +86 512 57468408 Fax: +86 512 57468468 E-mail: salesks@wcon.com
-------------------------------------------------------------------------------------------	--------------------------------------------------------------------------------------------