

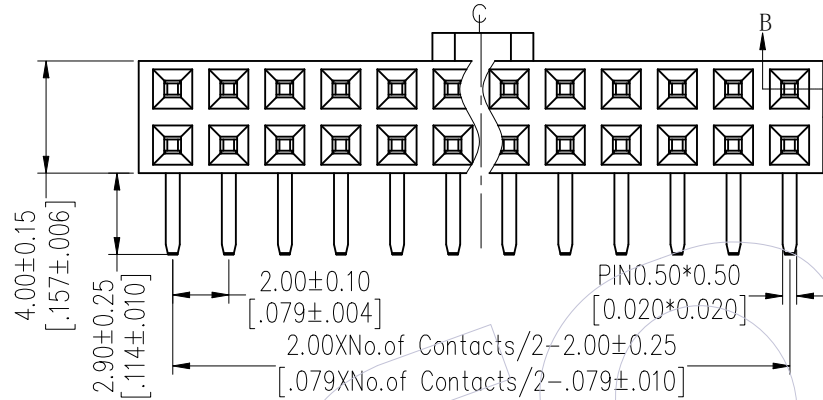
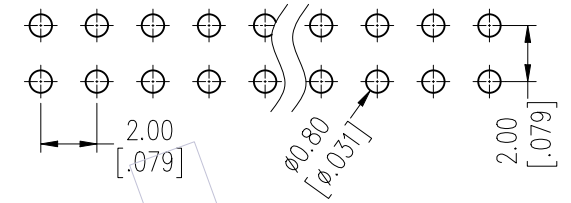
HSF

NOTES:

Current Rating: 2.0AMP
 Contact Resistance: 20mΩ Max
 Withstand Voltage: 500V AC
 Insulation Resistance: 1000MΩ Min
 Operation Temperature: -40°C to +125°C(Au)
 -40°C to +105°C(Sn)

Contact Material: Phosphor Bronze
 Contact plating: Au Or Sn over Ni
 Insulator Material: LCP+30%G.F UL94V-0

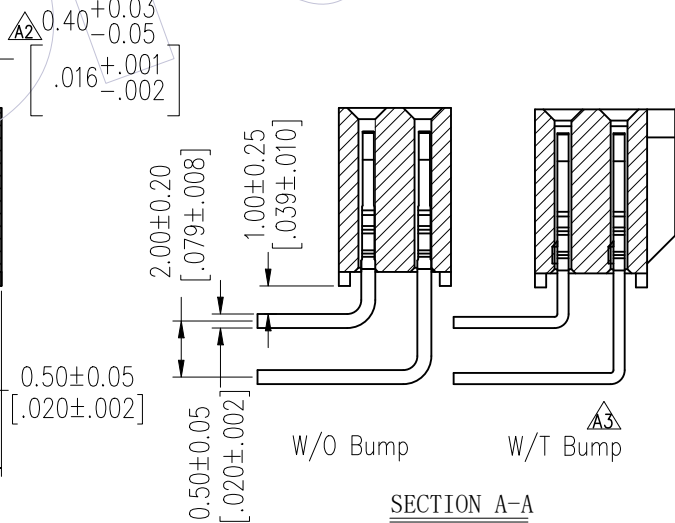
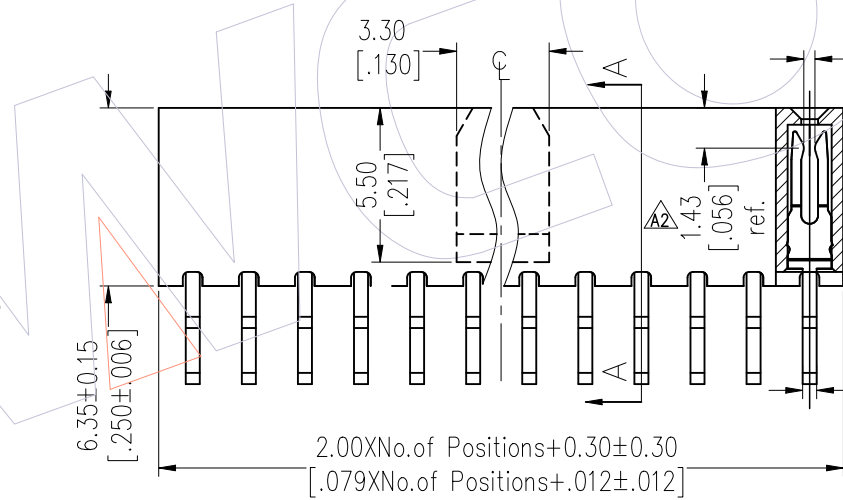
Recommended P.C.B Layout(Top Side)
 (PCB BOARD TOLERANCE±0.05)



Ordering Information

2263 - 2 XX R XX D Y N T X

- No. of Pins per ROW: 02-40PIN
- Contact Plating: G0=Gold Flash, G3=10μ"Gold, G4=15μ"Gold, G5=30μ"Gold, S0=Gold Flash/Tin, S3=10μ"Gold/Tin, S4=15μ"Gold/Tin, S5=30μ"Gold/Tin, SN=Tin, SM=Matte Tin
- Insulator: D=LCP
- Packing: T=Tube, Type: 1=W/O Bump, 4=W/T Bump



Item	Pitch	DIM A	Mating
Standard	2.00	2.90	1215/1220
Alternate			

REV	DATE	MODIFICATION DESCRIPTION	CHANGE	DIM	TOL	APPROVE	DATE	SCALE	FIT	PART NO.
A3	2021/06/07	Add W/T Bump Spec.&P/N	XSR	OPERATION	DRAW	DATE	2021/06/07	SCALE	FIT	2263-2XXRXXDYNTX
A2	2019/03/12	Modify Drawing;Add Packing	-----	x.x	±0.40	CHECK	DATE	UNIT	mm	TITLE:
A1	2013/03/15	Modify drawing	-----	x.xx	±0.25	CHECK	DATE	SIZE	A4	2.00mm Female Header SINGLE ROW
A0	2012/12/07	NEW	-----	x.xxx	±0.15	CHECK	DATE	SHEET	1/1	90°DIP H=6.35
REV	DATE	MODIFICATION DESCRIPTION	CHANGE	Angle	± 3°	APPROVE	DATE	PROJ.		Customer NO.

WCON
 Http: www.wcon.com
 WCON-Dongguan Tel: +86 769 85358920
 WCON-Kunshan Tel: +86 512 57468408
 Fax: +86 769 85358915
 Fax: +86 512 57468468
 E-mail: sales@wcon.com
 E-mail: salesks@wcon.com