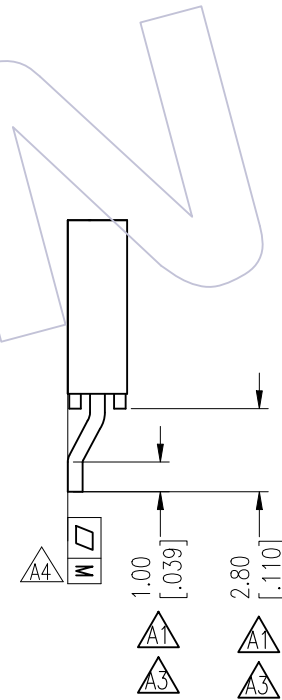
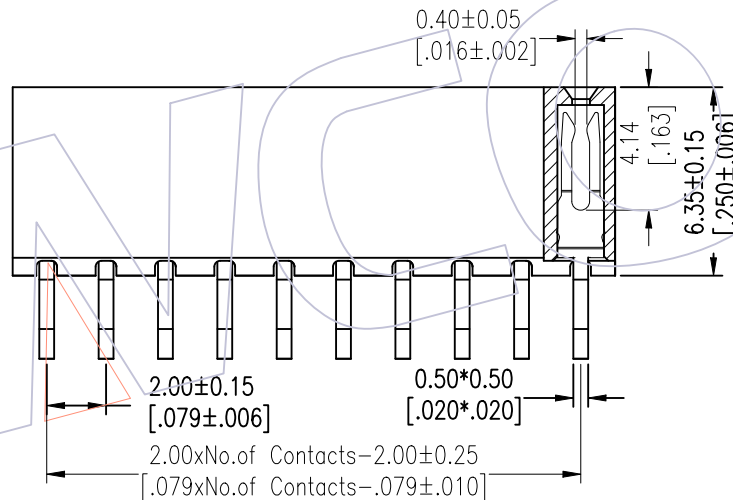
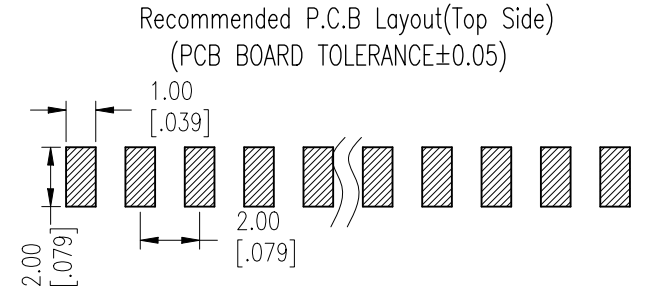
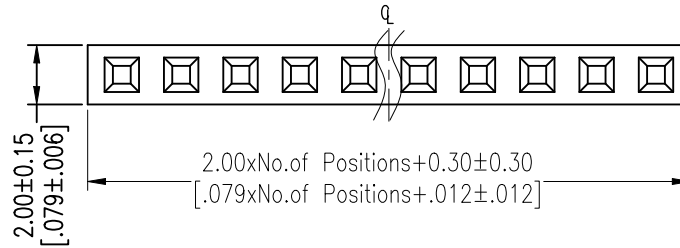


# HSF

NOTES:  
 Current Rating: 2.0AMP  
 Contact Resistance: 20mΩ Max  
 Withstand Voltage: 500V AC  
 Insulation Resistance: 1000MΩ Min  
 Operation Temperature: -40°C to +105°C

Contact Material: Phosphor Bronze  
 Contact plating: Au Or Sn over Ni  
 Insulator Material: LCP+30%G.F UL94V-0



## Ordering Information

2263 - 1 XX Z XX D Y N T X

No. of Pins per ROW: 02-40PIN  
 Contact Plating:  
 G0=Gold Flash  
 G3=10μ"Gold  
 G4=15μ"Gold  
 G5=30μ"Gold  
 S0=Gold Flash/Tin  
 S3=10μ"Gold/Tin  
 S4=15μ"Gold/Tin  
 S5=30μ"Gold/Tin  
 SN=Tin  
 SM=Matte Tin  
 Insulator: D=LCP  
 Packing: T=Tube

Item	Pitch	DIM A	Mating
Standard	2.00	3.1/2.4	1215/1220
Alternate			

Pin(Per Row)	2-15P	16-25P	26-40P
M	0.10	0.15	0.20

REV	DATE	MODIFICATION DESCRIPTION	CHANGE	OPERATION	DRAW	DATE	SCALE	FIT	PART NO.
A4	2023/02/14	Modify Flatness	-----	OPERATION	DRAW	2023/02/14	SCALE	FIT	2263-1XXZXXDYNTX
A3	2013/03/15	Modify drawing:3.40 → 2.80, 1.35 → 1.00	-----	X.X ±0.40	XSR	DATE	UNIT	mm	TITLE:
A2	2013/03/15	Modify drawing	-----	X.XX ±0.25	CHECK	DATE	SIZE	A4	2.0mm Female Header SINGLE ROW
A0	2012/09/12	NEW	-----	X.XXX ±0.15	APPROVE	DATE	SHEET	1/1	R/A SMT H=6.35
				Angle ± 3'			PROJ.		Customer NO.
				DIM TOL					

**WCON**  
 Http: www.wcon.com  
 WCON-Dongguan      WCON-Kunshan  
 Tel: +86 769 85358920      Tel: +86 512 57468408  
 Fax: +86 769 85358915      Fax: +86 512 57468468  
 E-mail: sales@wcon.com      E-mail: salesks@wcon.com