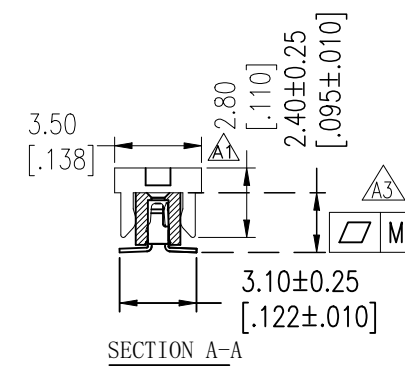
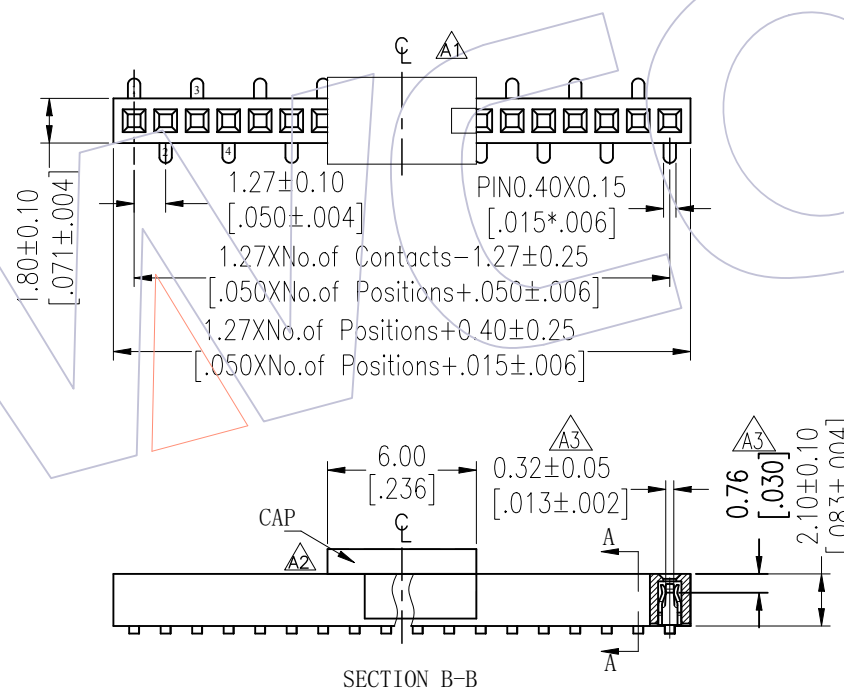
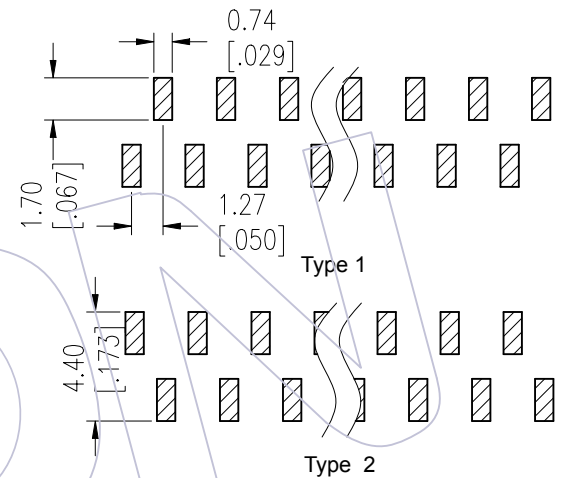
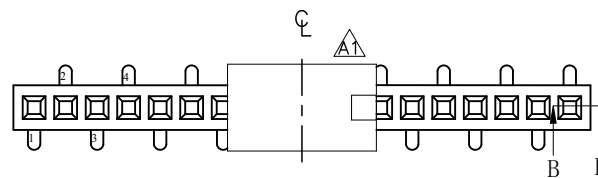


# HSF

Recommended P.C.B Layout(Top Side)  
(PCB BOARD TOLERANCE±0.05)

NOTES:  
 Current Rating: 1.0AMP  
 Contact Resistance: 20mΩ Max  
 Withstand Voltage: 500V AC  
 Insulation Resistance: 1000MΩ Min  
 Operation Temperature: -40°C to +105°C

Contact Material:Phosphor Bronze  
 Contact plating: Au over Ni  
 Insulator Material:PA9T+33%GF UL94V-0



## Ordering Information

2321 - 1 XX M XX CUN X X

No.of Pins per ROW:02-50PIN

Contact Plating:  
 G0=Gold Flash  
 G3=10μ"Gold  
 G4=15μ"Gold  
 G5=30μ"Gold

Packing:  
 T=Tube  
 R=Tape&Reel+CAP  
 P=Tube+CAP

Series No.  
 1=TYPE 1  
 2=TYPE 2

Item	Pitch	Mating
Standard	1.27	1310/1315/1320
Alternate		

TYPE	PART NO.			
	TYPE 1	2-15P	16-30P	31-50P
TYPE 2	M	0.10	0.15	0.18

REV	DATE	MODIFICATION DESCRIPTION	CHANGE	OPERATION	DRAW	DATE	SCALE	FIT	PART NO.
A3	2023/02/03	ADD Flatness	A3	OPERATION	DRAW	2023/02/03	UNIT	mm	SEE TABLE
A2	2017/04/14	MODIFY CAP	A2	x.X ±0.40	XSR		SIZE	A4	TITLE:
A1	2016/12/15	MODIFY CAP	A1	x.XX ±0.25	CHECK		SHEET	1/1	1.27mm SINGLE FEMALE HEADER
A0	2012/07/05	NEW		x.XXX ±0.15	APPROVE		PROJ.		SMT H=2.10
				Angle ± 3°					Customer NO.
				DIM TOL					

**WCON**  
 Http: www.wcon.com  
 WCON-Dongguan Tel: +86 769 85358920  
 WCON-Kunshan Tel: +86 512 57468408  
 Fax: +86 769 85358915  
 Fax: +86 512 57468468  
 E-mail: sales@wcon.com  
 E-mail: salesks@wcon.com