

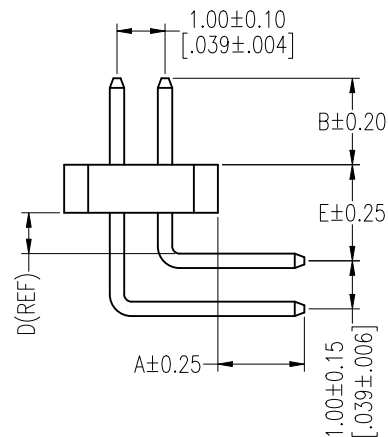
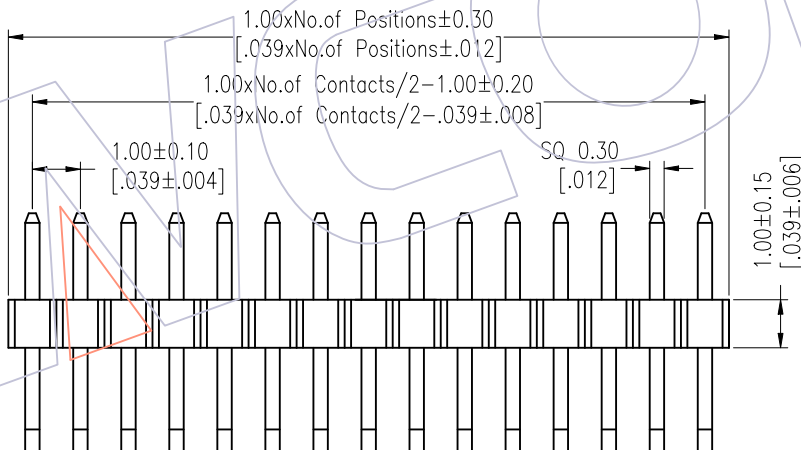
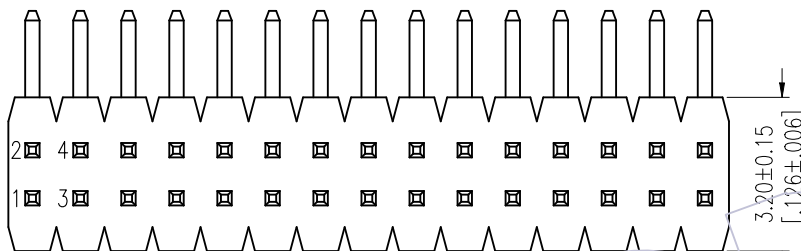
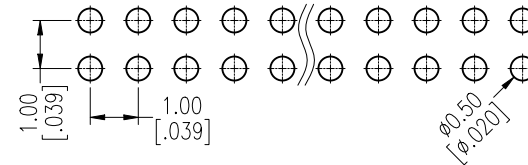
HSF

NOTES:

Rated Current:0.75AMP.
 Contact Resistance:30mΩ Max.
 Withstand Voltage:500V AC/DC
 Insulation Resistance:1000MΩ Min.
 Operation Temperature:-40°C to +105°C

Contact Material:Brass
 Contact Plating:Au Over Ni
 Insulator Material:PA9T+33%G.F UL94V-0 BK

Recommended P.C.B Layout (Top Side)
 (PCB BOARD TOLERANCE±0.05)



Ordering Information

1510-12 XX XX R 065 C A XX

No. of Pins Contact Plating Pin Length(Short) Insulator Packing Series No.
 Per Row:01~50 G0=Gold Flash L=A+B+D+2.1 C=PA9T A=Tray 01~99
 G3=10u"Gold Standard:065=6.5
 G4=15u"Gold
 G5=30u"Gold
 SN=Tin
 SM=Matte Tin

Item	Pin Length	A	E	B
Standard	6.5	1.80	2.00	1.80
Alternate				

REV	DATE	MODIFICATION DESCRIPTION	CHANGE	OPERATION	DRAW	DATE	SCALE	Fit	PART NO.
A2	2018/01/05	MODIFY PART NO.	-----	X.X ±0.40	William Chen	2018/01/05	UNIT	mm [inch]	1510-12XXXXRXXXCXXX
A1	2012/11/20	Modify the material	-----	X.XX ±0.25	CHECK	DATE	SIZE	A4	TITLE:
A0	2012/03/01	NEW	-----	X.XXX ±0.15	APPROVE	DATE	SHEET	1/1	1.00 Pin Header, DUAL ROW, R/A, H=1.0
				Angle ± 3'			PROJ.	Customer NO.	
				DIM TOL					

WCON
 Http: www.wcon.com
 WCON-Dongguan Tel: +86 769 85358920
 WCON-Kunshan Tel: +86 512 57468408
 Fax: +86 769 85358915
 Fax: +86 512 57468468
 E-mail: sales@wcon.com
 E-mail: salesks@wcon.com